

L6FBI94BBW

EN	User Manual Washing Machine	2
NL	Gebruiksaanwijzing Wasautomaat	33
FR	Notice d'utilisation Lave-linge	66
DE	Benutzerinformation Waschmaschine	100



Welcome to AEG! Thank you for choosing our appliance.



In our drive to be sustainable, we are reducing paper assets and provide full user manuals online. Access your full user manual at aeg.com/manuals



Get usage advice, brochures, troubleshooting, service and repair information at aeg.com/support



Buy accessories, consumables, and original spare parts for your appliance at aeg.com/shop

Subject to change without notice.

CONTENTS

1. SAFETY INFORMATION.....	2
2. SAFETY INSTRUCTIONS.....	4
3. PRODUCT DESCRIPTION	6
4. TECHNICAL INFORMATION	7
5. INSTALLATION	7
6. CONTROL PANEL	11
7. DIAL AND BUTTONS	12
8. PROGRAMMES	13
9. SETTINGS	17
10. DAILY USE	18
11. CARE AND CLEANING	21
12. CONSUMPTION VALUES	27
13. QUICK GUIDE	28
14. ALARM CODES AND POSSIBLE FAILURES.....	31
15. ENVIRONMENTAL CONCERNS.....	32

1. ⚠ SAFETY INFORMATION



Before beginning the installation and use of this appliance, carefully read the supplied instructions. The manufacturer is not responsible for any injuries or damage that are the result of incorrect installation or usage. Always keep the instructions in a safe and accessible location for future reference.

1.1 Children and vulnerable people safety

- This appliance can be used by children aged from 8 years and above and persons with reduced physical, sensory or mental capabilities or lack of experience and knowledge if

they have been given supervision or instruction concerning the use of the appliance in a safe way and understand the hazards involved.

- Children between 3 and 8 years of age and persons with very extensive and complex disabilities shall be kept away from the appliance unless continuously supervised.
- Children of less than 3 years of age should be kept away from the appliance unless continuously supervised.
- Children should be supervised to ensure that they do not play with the appliance.
- Keep all packaging away from children and dispose of it appropriately.
- Keep detergents away from children.
- Keep children and pets away from the appliance when the door is open.
- If the appliance has a child safety device, it should be activated.
- Children shall not carry out cleaning and user maintenance of the appliance without supervision.

1.2 General Safety

- This appliance is for washing domestic-type, machine-washable laundry only.
- This appliance is designed for single household domestic use in an indoor environment.
- This appliance may be used in offices, hotel guest rooms, bed & breakfast guest rooms, farm guest houses and other similar accommodation where such use does not exceed (average) domestic usage levels.
- Do not change the specification of this appliance.
- The appliance maximum load is 9 kg. Do not exceed the maximum load of each programme (refer to the “Programmes” chapter).
- The operating water pressure at the water entry point from the outlet connection must be between 0.5 bar (0.05 MPa) and 8 bar (0.8 MPa).

- The ventilation opening in the base must not be covered by a carpet, mat, or any floor covering.
- The appliance must be connected to the water mains using the new supplied hose sets, or other new hose sets supplied by the Authorised Service Centre.
- Old hose sets must not be reused.
- If the mains power supply cable is damaged, it must be replaced by the manufacturer, its Authorised Service Centre or similarly qualified persons to avoid an electrical hazard.
- Before any maintenance operation, deactivate the appliance and disconnect the mains plug from the socket.
- Do not use high pressure water sprays and/or steam to clean the appliance.
- Clean the appliance with a moist cloth. Use only neutral detergents. Do not use abrasive products, abrasive cleaning pads, solvents or metal objects.

2. SAFETY INSTRUCTIONS

2.1 Installation



The installation must comply with relevant national regulations.

- Remove all the packaging and the transit bolts including rubber bush with plastic spacer.
- Keep the transit bolts in a safe place. If the appliance is to be moved in the future they must be reattached to lock the drum to prevent an internal damage.
- Always take care when moving the appliance as it is heavy. Always use safety gloves and enclosed footwear.
- Follow the installation instructions supplied with the appliance.
- Do not install or use a damaged appliance.
- Do not install or use the appliance where the temperature can be less than 0°C or where it is exposed to the weather.
- The floor area on which the appliance is to be installed must be flat, stable, heat resistant and clean.

- Make sure that there is air circulation between the appliance and the floor.
- When the appliance is in its permanent position, check if it is levelled correctly with the aid of a spirit level. If it is not, adjust the feet accordingly.
- Do not install the appliance directly above a floor drain.
- Do not spray water on the appliance and do not expose it to excessive humidity.
- Do not install the appliance where the appliance door cannot be fully opened.
- Do not put a closed container to collect possible water leakage under the appliance. Contact the Authorised Service Centre to ensure which accessories can be used.

2.2 Electrical connection

WARNING!

Risk of fire and electric shock.

- **WARNING:** This appliance is designed to be installed / connected to a grounding connection in the building.

- Always use a correctly installed shockproof socket.
- Make sure that the parameters on the rating plate are compatible with the electrical ratings of the mains power supply.
- Do not use multi-plug adapters and extension cables.
- Make sure not to cause damage to the mains plug and to the mains cable. Should the mains cable need to be replaced, this must be carried out by our Authorised Service Centre.
- Connect the mains plug to the mains socket only at the end of the installation. Make sure that there is access to the mains plug after the installation.
- Do not touch the mains cable or the mains plug with wet hands.
- Do not pull the mains cable to disconnect the appliance. Always pull the mains plug.

2.3 Water connection

- The inlet water shall not exceed 25 °C.
- Do not cause damage to the water hoses.
- Before connection to new pipes, pipes not used for a long time, where repair work has been carried out or new devices fitted (water meters, etc.), let the water flow until it is clean and clear.
- Ensure that there are no visible water leaks during and after the first use of the appliance.
- Do not use an extension hose if the inlet hose is too short. Contact the Authorised Service Centre for the replacement of the inlet hose.
- When unpacking the appliance, It is possible to see water flowing from the drain hose. This is due to the testing of the appliance with the use of water in the factory.
- You can extend the drain hose to maximum 400 cm. Contact the Authorised Service Centre for the other drain hose and the extension.
- Make sure that there is access to the tap after the installation.

2.4 Use

WARNING!

Risk of injury, electric shock, fire, burns or damage to the appliance.

- Follow the safety instructions on the detergent packaging.
- Do not put flammable products or items that are wet with flammable products in, near or on the appliance.
- Do not wash fabrics which are heavily soiled with oil, grease or other greasy substances. It can damage rubber parts of the appliance. Prewash such fabrics by hand before loading them into the appliance.
- Do not use laundry fragrances to avoid the risk of damaging plastic and rubber parts of the appliance.
- Do not touch the glass door while a programme operates. The glass can get hot.
- Make sure that all metal objects are removed from the laundry.

2.5 Service

- To repair the appliance contact the Authorised Service Centre. Use original spare parts only.
- Please note that self-repair or non-professional repair can have safety consequences and might void the guarantee.
- The following spare parts are available for at least 10 years after the model has been discontinued: motor and motor brushes, transmission between motor and drum, pumps, shock absorbers and springs, washing drum, drum spider and related ball bearings, heaters and heating elements, including heat pumps, piping and related equipment including hoses, valves, filters and aquastops, printed circuit boards, electronic displays, pressure switches, thermostats and sensors, software and firmware including reset software, door, door hinge and seals, other seals, door locking assembly, plastic peripherals such as detergent dispensers. The duration may be longer in your country. For further information, please visit our website.

- Please note that some of these spare parts are only available to professional repairers, and that not all spare parts are relevant for all models.
- Concerning the lamp(s) inside this product and spare part lamps sold separately: These lamps are intended to withstand extreme physical conditions in household appliances, such as temperature, vibration, humidity, or are intended to signal information about the operational status of the appliance. They are not intended to be used in other applications and are not suitable for household room illumination.

- Disconnect the appliance from the mains electrical and water supplies.
- Cut off the mains electrical cable close to the appliance and dispose of it.
- Remove the door catch to prevent children or pets from becoming trapped in the drum.
- Dispose of the appliance in accordance with local requirements for the disposal of Waste Electrical and Electronic Equipment (WEEE).

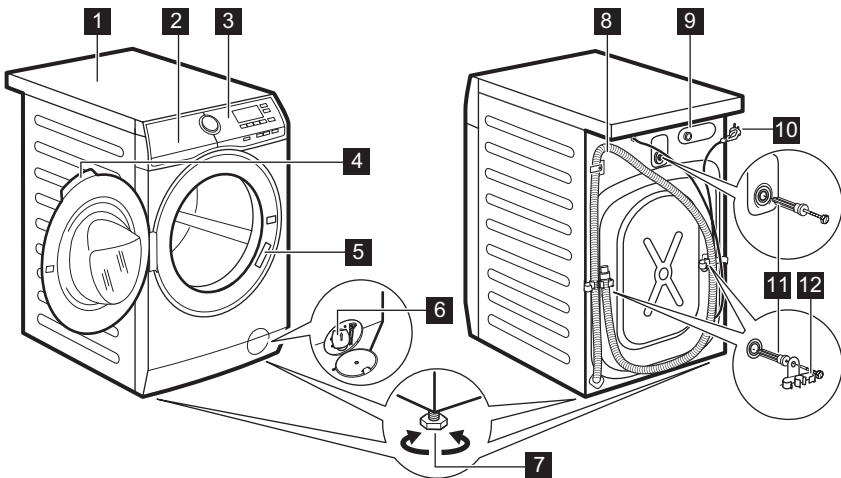
2.6 Disposal

WARNING!

Risk of injury or suffocation.

3. PRODUCT DESCRIPTION

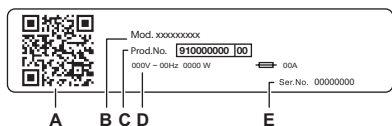
3.1 Appliance overview



- 1** Worktop
- 2** Detergent dispenser
- 3** Control panel
- 4** Door handle
- 5** Rating plate

- 6** Drain pump filter
- 7** Feet for levelling the appliance
- 8** Drain hose
- 9** Inlet hose connection
- 10** Mains cable

11 Transit bolts



12 Hose support

The rating plate reports:

- A. QR code
- B. Model name
- C. Product number
- D. Electrical ratings
- E. Serial number

Scan the **QR code** on the appliance to register your product and get the most out of it.

- Access your appliance details, documentation and articles on how to use the best features (User Manual also available at aeg.com/manuals)
- Get usage advice, troubleshooting, service and repair information (also available at aeg.com/support)
- Buy accessories, Consumable and Original Spare parts for your appliance (also available at aeg.com/shop)

4. TECHNICAL INFORMATION

Dimension	Width/ Height/ Total depth	59.7 cm /84.7 cm /66.0 cm
Electrical connection	Voltage	230 V
	Overall power	2100 W
	Fuse	10 A
	Frequency	50 Hz
Level of protection against ingress of solid particles and moisture ensured by the protective cover, except where the low voltage equipment has no protection against moisture		IPX4
Water supply pressure	Minimum	0.5 bar (0.05 MPa)
	Maximum	8 bar (0.8 MPa)
Water supply ¹⁾		Cold water
Maximum Load	Cotton	9 kg

1) Connect the water inlet hose to a water tap with a 3/4" thread.

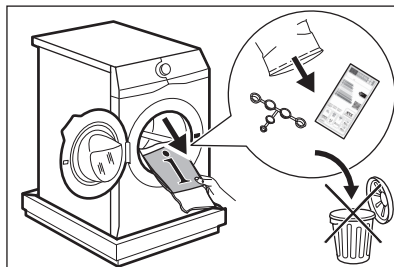
5. INSTALLATION

WARNING!

Refer to Safety chapters.

5.1 Unpacking

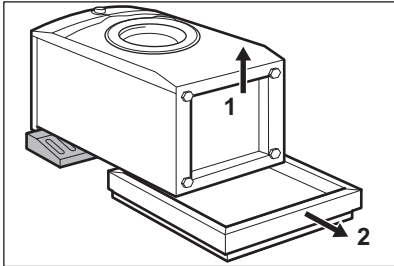
1. Open the door. Remove all the items from the drum.





Accessories delivered with the appliance may vary depending on the model.

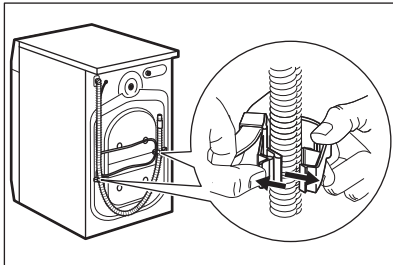
- Put the packaging element on the floor behind the appliance and carefully put it down onto its rear side. Remove the protection from the bottom.



CAUTION!

Do not lay washing machine on its front.

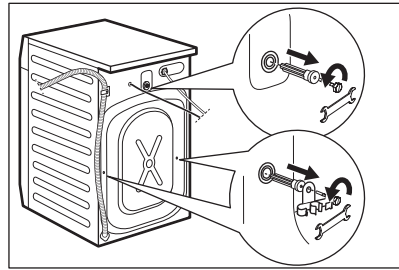
- Put the appliance back into an upright position. Remove the power supply cable and the drain hose from the hose holders.



WARNING!

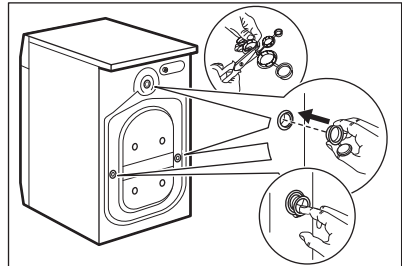
It is possible to see water flowing from the drain hose. This is because the washing machine has been tested at the factory.

- Remove the three bolts by using the key supplied with the appliance. Pull out the plastic spacers.



We recommend that you keep the packaging and the transit bolts for any transport of the appliance.

- Put the plastic caps, that you find in the user manual bag, in the holes.



5.2 Information for installation

Positioning and levelling

Adjust the appliance correctly to prevent vibration, noise and movement of the appliance when it operates.

- Install the appliance on a flat hard floor. The appliance must be levelled and stable. Make sure that the appliance does not touch the wall or other units and there is air circulation below the appliance.
- Loosen or tighten the feet to adjust the level. All feet must rest firmly on the floor.

WARNING!

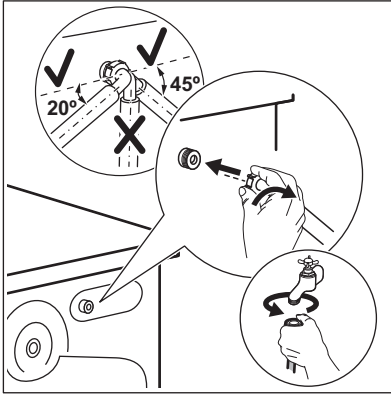
Do not put cardboard, wood or equivalent materials below the appliance feet to adjust the level.

The inlet hose

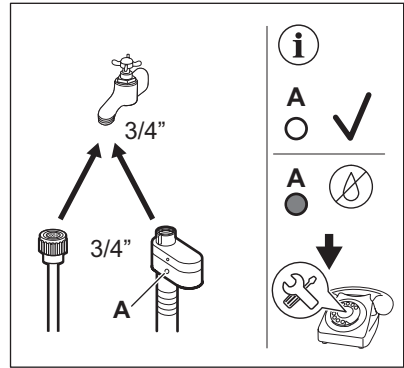
⚠ CAUTION!

Make sure there is no damage to hoses and there are no leaks from the couplings. Do not use an extension hose if the inlet hose is too short. Contact the service centre for information on inlet hose replacement.

1. Connect the water inlet hose to the back of the appliance if needs. Usually, it is already installed at the factory.



2. Position it toward left or right depending on the position of the water tap. Make sure that the inlet hose is not in vertical position.
3. If necessary, loosen the ring nut to set it in the correct position.
4. Connect the water inlet hose to the cold water tap with 3/4" thread.
5. Some models can contain inlet hose with water stop device. It prevents any leaks in the hose because of its natural ageing. The sector in the window shows this fault **A**. If this occurs, close the water tap and contact the authorized service centre for information to replace the hose.



⚠ WARNING!

The inlet water shall not exceed 25 °C.

Water drainage

The drain hose should stay at a height of no less than 60 cm and not more than 100 cm.

i

You can extend the drain hose to maximum 400 cm. Contact the authorised service centre to buy the other drain hose and the extension.

Make sure that the drain hose makes a loop to prevent particles going into the appliance from the sink.

Connect the drain hose to the spigot and tighten it with a clamp. Make sure that the drain hose makes a loop to prevent particles going into the appliance from the sink.

Position the hose directly to a built-in drain pipe in the room wall and tighten it with a clamp.

Without the plastic hose guide, to a sink spigot- Put the drain hose in the spigot and tighten it with a clamp.

The drain hose can be bent into U shape and put around the plastic guide. On the edge of a sink - Fasten the guide to the water tap or to the wall.



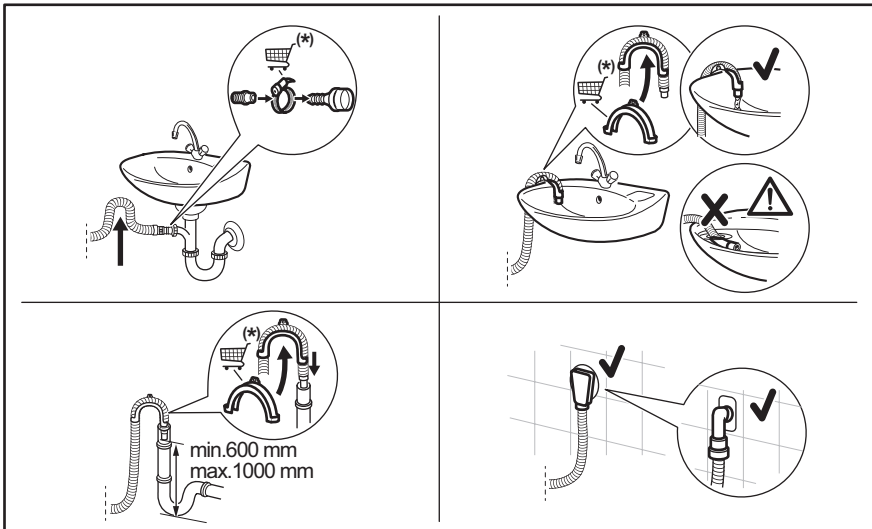
Make sure that the plastic guide cannot move when the appliance drains and the drain hose end is not immersed in the water. There may be a return of dirty water into the appliance. Buy accessories from authorised supplier.

To a stand pipe with vent hole - Insert the drain hose directly into a drain pipe or stand pipe



The end of the drain hose must always be ventilated, i.e. the inner diameter of the drain pipe (min. 38 mm - min. 1.5") must be larger than the external diameter of the drain hose.

It is possible to connect the drain hose in different ways:



(*) Subject to change without notice.

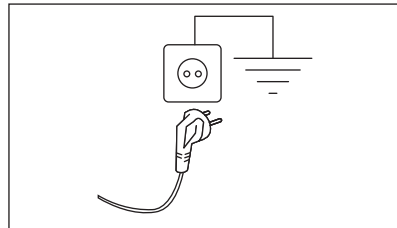
5.3 Electrical connection

At the end of installation you can connect the mains plug to the mains socket.

The rating plate and the 'Technical Data' chapter indicate the necessary electrical ratings. Make sure that they are compatible with the mains power supply.

Check that your domestic electrical installation can take the maximum load required, also taking into account any other appliances may also be in use.

Connect the appliance to an earthed socket.



The power supply cable must be easily accessible after installing the appliance.

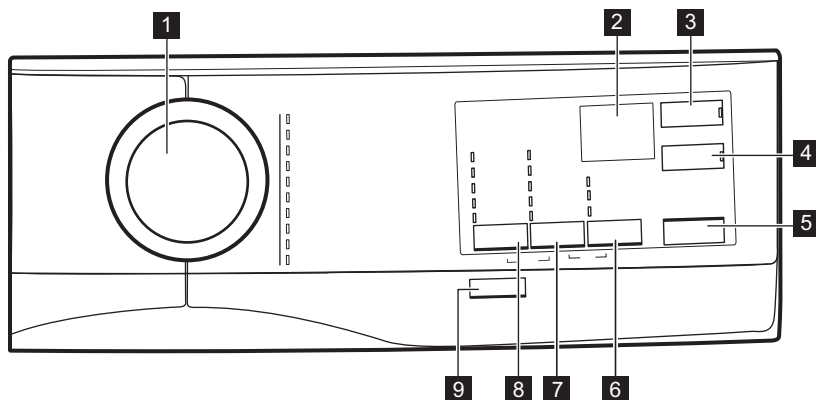
For any electrical work required to install this appliance, contact our Authorised Service Centre.




The manufacturer does not accept any responsibility for damage or injury through

failure to comply with the above safety precaution.

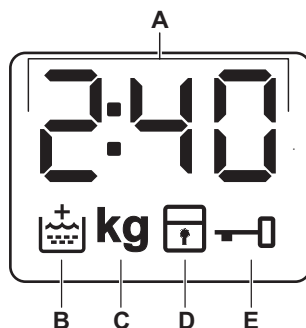
6. CONTROL PANEL


6.1 Control panel description




- 1** Programme dial
- 2** Display
- 3** Startuitstel - Départ Différé touch button
- 4** Tijd besparen - Gain de temps touch button
- 5** Start/Pauze - Départ/Pause touch button
- 6** Extra touch button
 - Vlekken - Taches option
 - Voorwas - Prélavage option
 - Only rinse option 
- 7** Centrifugeren - Essorage reduction options touch button
 - No Spin option 
 - Rinse Hold option 
- 8** Temp. touch button
- 9** Aan /Uit - Marche/Arrêt push button



6.2 Display



- A.**  The digital indicator can show:
- Programme duration (e. g. **2:40**).
 - Delay time (e. g. **2h**).
 - Cycle end (**0:00**).
 - Warning code (e.g. **E20**).
 - Indication of total operating hours of the appliance. Refer to the "Operating

hours counter" section in the "Settings" paragraph for more details.

- B.  Extra rinse indicator. It lights on when this option is selected .
- C. **kg** This indicator blink during the laundry load detections.

- D.  Child safety lock indicator.
- E.  Door locked indicator.

7. DIAL AND BUTTONS

7.1 Aan /Uit - Marche/Arrêt

Pressing this button for a few seconds allows to activate or deactivate the appliance. Two different tunes sound while switching the appliance on or off.

As the Stand-by function automatically deactivates the appliance to decrease the energy consumption in a few cases, you may need to activate the appliance again.



The default selected programme, at machine switch on, is always the Eco 40-60 programme.

For more details, refer to Stand-by paragraph in Daily Use chapter.

7.2 Introduction




The options/functions are not selectable with all washing programmes. Check the compatibility between options/functions and washing programmes in the "Programme Chart". An option/function can exclude another one, in this case the appliance doesn't allow you to set the incompatible options/functions together. Make sure the screen and touch buttons are always clean and dry.

7.3 Temp.

When you select a washing programme, the appliance automatically proposes a default temperature.

Set this option to change the default temperature.

The indicator  = cold water of the set temperature comes on (the appliance does not heat the water).

7.4 Centrifugeren - Essorage

When you set a programme, the appliance automatically sets the maximum spin speed allowed.


Touch repeatedly this button to:

Activate the Rinse Hold  option

- Set this option to prevent the laundry creases.
- The related indicator comes on.
- There is a water in the drum when the programme is completed.
- The door stays locked and the drum turns regularly to reduce creasing.
- You must drain the water to unlock the door.
- If you touch the Start/Pauze - Départ/ Pause button, the appliance performs the spinning phase and drains the water.



The appliance empties the water out automatically after 18 hours approximately.

Activate the No Spin  option

- Set this option to deactivate all spin phases. Only the drain phase is available.
- The related indicator comes on.
- Set this option for very delicate fabrics.
- The rinses phase uses more water for some washing programmes.




The spin speed can be reduce.

7.5 Extra

Press this button repeatedly to activate one of the available options.

- **Vlekken - Taches**

Select this option to add an anti-stain phase to a programme in order to treat heavily soiled or stained laundry with stain remover.

Pour the stain remover into  compartment . The stain remover will be added in the appropriate phase of the washing programme.



This option can increase the programme duration.



This option is not available with a temperature lower than 40 °C.

- **Voorwas - Prélavage**

Use this option to add a prewash phase at 30 °C before the washing phase.

This option is recommended for heavily soiled laundry, especially if containing sand, dust , mud and other solid particles.



This option can increase the programme duration.

- **Only rinse** 

The appliance performs only the rinsing phase, the spinning and the draining phases of the selected programme.

The relevant indicator comes on.

7.6 Startuitstel - Départ Différé

With this option you can delay the start of a programme in a more convenient time.

Touch repeatedly the button to set the required delay. The time increases by steps of 30 minutes up to 90' and from 2 hours up to 20 h.

The indicator of the option and the indicator of the set value are on. After touching the Start/Pauze - Départ/Pause button the appliance begins the countdown.

7.7 Tijd besparen - Gain de temps

This option may be advisable to shorten the washing programme.

Use this option for items with normal or light soil or items to refresh.

Touch this button **once** to decrease the duration.

In case of smaller load, touch this button **twice** to set an extra quick programme.

The indicator of the option and the indicator of the set value are on.

7.8 Start/Pauze - Départ/Pause



Touch the Start/Pauze - Départ/Pause button to start, pause the appliance or interrupt a running programme.

8. PROGRAMMES

8.1 Programme Chart

Washing programmes

Programme	Programme description
Washing programmes	
Eco 40-60	White cotton and fast-coloured cotton. Normally soiled items. The energy consumption decreases and the time of the washing programme is extended, ensuring good washing results.
Katoen - Coton	White and coloured cotton heavily and normally soiled cotton items.

Programme	Programme description
Synthetica - Synthétiques	Synthetic items or mixed fabric items. Normally soiled items.
Fijne was - Délicats	Delicate fabrics such as acrylics, viscose and mixed fabrics requiring gentler washing. Normally and lightly soiled items.
Wol/Zijde - Laine/Soie 	Machine washable wool, hand washable wool and other fabrics with «hand washing» care symbol¹⁾.
20 min. - 3 kg	Cotton and synthetic items lightly soiled or once worn.
Katoen - Coton 20°	Mixed fabric (cotton and synthetic items) ²⁾ .
Dekbed - Duvet	Single synthetic blanket, padded clothes, duvets, down jackets and similar items.
Anti-allergie 	White cotton items. This high-performance wash program combined with steam vapour, removes more than 99,99% of bacteria and viruses ³⁾ keeping the temperature above 60°C throughout the washing phase; with an additional action on the fibers thanks to a vapour phase, an enhanced rinsing phase ensures a proper removal of detergent and micro-organism residues. This program ensures also a proper reduction of pollens/allergenic items.
Centrifugeren/Pompen - Essorage/Vidange	All fabrics, except woollens and delicate fabrics. To spin the laundry and to drain the water in the drum.



1) During this cycle the drum rotates slowly to ensure a gentle wash. It can seem that the drum doesn't rotate or doesn't rotate properly, but this is normal for this programme.

2) This programme is for daily use and has the lowest energy and water consumption whilst maintaining a good washing performance.

3) Tested for Staphylococcus aureus, Enterococcus faecium, Candida albicans, Pseudomonas aeruginosa and MS2 Bacteriophage in external test performed by Swisstest Testmaterialien AG in 2021 (Test Report No. 202120117).

Programme temperature, maximum spin speed and maximum load

Programme	Default temperature Temperature range	Reference spin speed Spin speed range	Maximum load
Washing programmes			
Eco 40-60	40 °C 1)	1400 rpm 1400 rpm - 800 rpm	9 kg
Katoen - Coton	40 °C 95 °C - ✖ (Cold)	1400 rpm 1400 rpm - 800 rpm	9 kg
Synthetica - Synthétiques	30 °C 60 °C - ✖ (Cold)	1200 rpm 1200 rpm - 800 rpm	4 kg
Fijne was - Délicats	30 °C 40 °C - ✖ (Cold)	1200 rpm 1200 rpm - 800 rpm	2 kg

Programme	Default temperature Temperature range	Reference spin speed Spin speed range	Maximum load
Wol/Zijde - Laine/Soie 	40 °C 40 °C - ✖ (Cold)	1200 rpm 1200 rpm - 800 rpm	1,5 kg
20 min. - 3 kg	30 °C 40 °C - 30 °C	1200 rpm 1200 rpm - 800 rpm	3,5 kg
Katoen - Coton 20°	✖ (Cold)	1400 rpm 1400 rpm - 800 rpm	9 kg
Dekbed - Duvet	40 °C 60 °C - ✖ (Cold)	800 rpm 800 rpm - 800 rpm	3 kg
Anti-allergie 	60 °C	1400 rpm 1400 rpm - 800 rpm	9 kg
Centrifugeren/Pompen - Essorage/ Vidange 2)	-	1400 rpm 1400 rpm - 800 rpm	9 kg







1) According to Commission Regulation EU 2019/2023, this programme at 40 °C is able to clean normally soiled cotton laundry declared to be washable at 40 °C or 60 °C, together in the same cycle.



For the reached temperature in the laundry, the programme duration and other data, please refer to 'Consumption Values' chapter.
The most efficient programmes in terms of energy consumption are generally those that perform at lower temperatures and longer duration.

2) Set the spin speed. Make sure it is suitable for the type of fabric being washed. If you set the No Spin option then only the drain phase is available.

Programme options compatibility



Options	Programme Eco 40-60	Katoen - Coton	Synthetica - Synthétiques	Fijne was - Délicats	Wol/Zijde - Laine/Soie 	20 min. - 3 kg	Katoen - Coton 20°	Dekbed - Duvet	Anti-allergie 	Centrifugeren/Pompen - Essorage/Vidange
Centrifugeren - Essorage	■	■	■	■	■	■	■	■	■	■
No Spin 		■	■	■	■	■	■		■	■
Rinse Hold 	■	■	■	■	■		■		■	
Vlekken - Taches ¹⁾		■	■						■	
Voorwas - Prélavage		■	■				■			■
Only rinse 		■	■	■	■	■	■	■	■	■
Extra spoelen - Rinçage Plus ⁺ 		■	■	■			■			■
Tijd besparen - Gain de temps ²⁾		■	■	■			■			
Startuitstel - Départ Différé	■	■	■	■	■	■	■	■	■	■

1) This option is not available with temperature lower than 40 °C.

2) If you set the shortest duration, we recommend that you decrease the load size. It is possible to fully load the appliance, however the washing results can be less satisfactory.

Suitable detergents for washing programmes

Programme	Universal powder ¹⁾	Liquid Universal	Liquid for coloureds	Delicates woollens	Special
Eco 40-60	▲	▲	▲	--	--
Katoen - Coton	▲	▲	▲	--	--

Programme	Universal powder ¹⁾	Liquid Universal	Liquid for coloureds	Delicates woollens	Special
Synthetica - Synthétiques	▲	▲	▲	--	--
Fijne was - Délicats	--	--	--	▲	▲
Wol/Zijde - Laine/Soie 	--	--	--	▲	▲
20 min. - 3 kg	--	▲	▲	--	--
Katoen - Coton 20°	▲	▲	▲	--	--
Dekbed - Duvet	--	--	--	▲	▲
Anti-allergie 	▲	▲	▲	--	--

1) At temperature higher than 60 °C the use of powder detergent is recommended.

▲ = Recommended

-- = Not recommended

8.2 Woolmark Premium Wool Care - Blue




The wool wash cycle of this machine has been tested and approved by The Woolmark Company for the washing of wool garments labelled as «hand wash» provided that the products are washed according to the instructions on the garment label and those issued by the manufacturer of this washing machine.
M1512

9. SETTINGS

9.1 Child Lock

With this option you can prevent children from playing with the control panel.

- To **activate/deactivate** this option, touch the Centrifugeren - Essorage and the Extra buttons simultaneously until the indicator  comes on/goes off on the display.

You can activate this option:

- After you touch the Start/Pauze - Départ/ Pause button: all the buttons and the programme dial are deactivated (except Aan /Uit - Marche/Arrêt button).
- Before you touch the Start/Pauze - Départ/ Pause button: the appliance cannot start. The appliance keeps the selection of this option after you switch it off.

9.2 Acoustic signals

The acoustic signals operate when the programme is completed (sequence of sounds for about 2 minutes).


To **deactivate/activate** the acoustic signals, touch the Startuitstel - Départ Différé and the Tijd besparen - Gain de temps buttons simultaneously for about 6 seconds.



If you deactivate the acoustic signals, they continue operate when the appliance has a malfunction.

9.3 Permanent Extra Rinse

With this option you can permanently have an extra rinse when you set a new programme.

- To **activate/deactivate** this option touch the Temp. button and the Centrifugeren - Essorage button simultaneously until relevant indicator  comes on/goes off on display.

9.4 Operating Hours Counter

It is possible to visualise the total operating time of the appliance in hours, starting from the first switching on. This value will count operating time of the cycles (does not include pauses, delayed start time). To visualise this value, proceed as follows:

1. Switch the appliance on by pressing Aan /Uit - Marche/Arrêt button.
2. Turn the programme knob to the Eco 40-60 programme (1st position clockwise).
3. Press and hold the Startuitstel - Départ Différé and Tijd besparen - Gain de temps buttons for some seconds (within 10 seconds after the switching on. After these 10 seconds, the key combination

activates and deactivates the acoustic signals).

4. After 3 seconds the total hours operated by the appliance are shown in the display: e.g. 1276 hours, the display shows the text Hr for 2 seconds, 12 (thousands and hundreds) for 2 seconds and 76 (tens and units).



If the procedure does not work (due to timeout, wrong programme dial position or wrong keys combination), switch the appliance off and repeat sequence from the beginning.

9.5 Factory Reset

This function allows to restore the factory default options. To **activate** this option follow steps below:

1. Switch the appliance on by pressing Aan /Uit - Marche/Arrêt button.
2. Turn the programme knob to the Synthetica - Synthétiques programme (3rd position clockwise).
3. Press and hold the Startuitstel - Départ Différé and Tijd besparen - Gain de temps buttons for some seconds (within 10 seconds after the switching on. After these 10 seconds, the key combination activates and deactivates the acoustic signals).
4. The display will show — — for about 5 seconds.



If the procedure does not work (due to timeout, wrong programme dial position or wrong keys combination), switch the appliance off and repeat sequence from the beginning.

10. DAILY USE



WARNING!

Refer to Safety chapters.

10.1 Activating the appliance

1. Connect the mains plug to the mains socket.
2. Open the water tap.

- Press the button for a few seconds to activate the appliance.

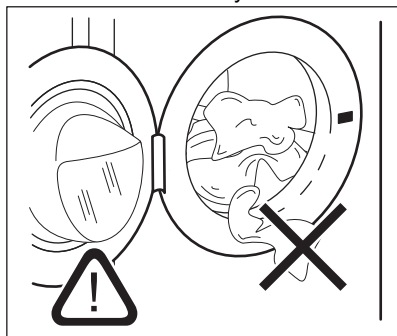
A short tune sounds (if activated).

10.2 Loading the laundry

- Open the appliance door.
- Shake the items before you put them in the appliance.
- Put the laundry in the drum, one item at a time.

Make sure not to put too much laundry in the drum.

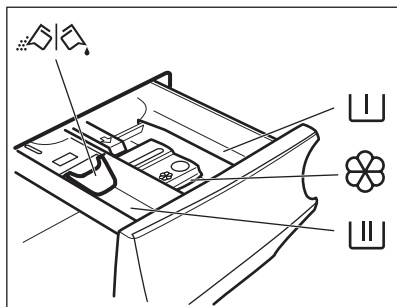
- Close the door firmly.



⚠ CAUTION!

- Make sure that no laundry stays between the seal and the door. There is a risk of water leakage or damage to the laundry.
- Washing heavily oiled, greasy stains or using fragrances perfume could cause damage rubber parts of the appliance.

10.3 Filling the detergent and additives



Compartment for prewash phase, soak programme or stain remover.



Compartment for washing phase.



Compartment for liquid additives (fabric conditioner, starch).

MAX

Maximum level for quantity of liquid additives.



Flap for powder or liquid detergent.



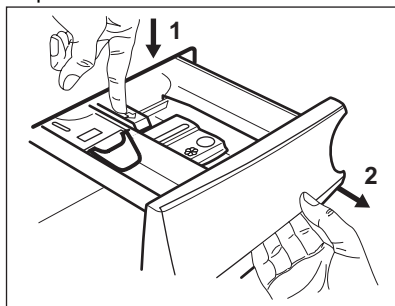
Always follow the instructions that you find on the packaging of the detergent products, but we recommend that you do not exceed the maximum indicated level (**MAX**). This quantity will however guarantee the best washing results.



After a washing cycle, if necessary, remove any detergent residue from the detergent dispenser.

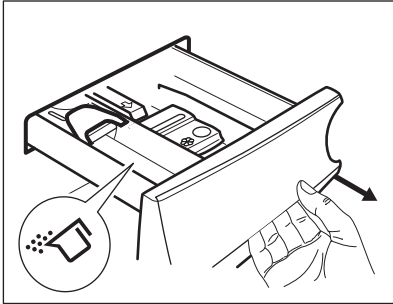
10.4 Check the position of the flap

- Pull out the detergent dispenser until it stops.

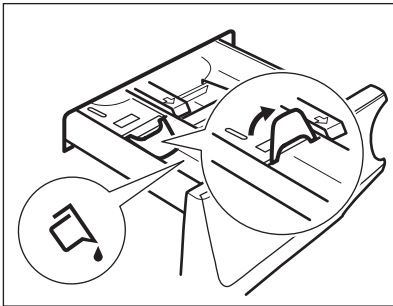


- Press the lever down to remove the dispenser.

3. To use powder detergent, turn the flap up.

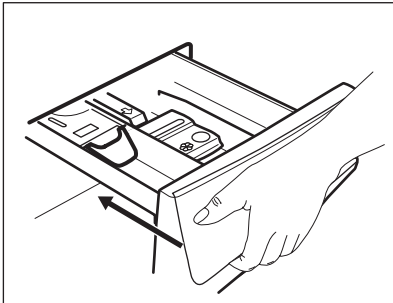


4. To use liquid detergent, turn the flap down.



With the flap in the position DOWN:

- Do not use gelatinous or thick liquid detergents.
 - Do not put more liquid detergent than the limit shown on the flap.
 - Do not set the prewash phase.
 - Do not set the delay start function.
5. Measure out the detergent and the fabric conditioner.
 6. Carefully close the detergent dispenser.



Make sure that the flap does not cause a blockage when you close the drawer.

10.5 Setting a programme

1. Turn the programme dial to select the desired washing programme. The related programme indicator comes on. The indicator of the Start/Pauze - Départ/ Pause button flashes. The display shows an indicative programme duration.
2. To change the temperature and/or the spin speed, touch the related buttons.
3. If desired, set one or more options by touching the related buttons. The related indicators come on in the display and the given information changes accordingly.



In case a selection is **not possible**, no indicator comes on and an acoustic signal sounds.


10.6 Additional information about daily use

The ProSense load detection

The appliance detects the load in the first 30 seconds, during detection the indicator flashes. The indicator stop flashing at the end of load detection. **In case of drum overload,**

the indicator **MAX** is flashing in the display: It is possible to pause the appliance and remove the exceeding garments. If the laundry amount will not be reduced, the washing programme starts anyway. About 20 minutes after the programme start, the programme duration could be adjusted again depending on the capacity of water absorption of the fabrics. The ProSense Technology is not available in programmes with short cycles.

Starting a programme

Touch the Start/Pauze - Départ/Pause button to start the programme. The related indicator stops flashing and stays on. The programme starts, the door is locked. The display shows the indicator .

Starting a programme with delay start

1. Touch the Startuitstel - Départ Différé button repeatedly until the display shows the desired delay time.
2. Touch the Start/Pauze - Départ/Pauze button. The appliance door locks and starts the countdown of the delay start. When the countdown is completed, the programme starts automatically.

Interrupting a programme and changing the options.

1. When the programme is running, you can change only some options. Touch the Start/Pauze - Départ/Pauze button.
2. Change the options. The given information in the display changes accordingly.
3. Touch the Start/Pauze - Départ/Pauze again. The washing programme continues.

Cancelling a running programme


1. Press the button Aan /Uit - Marche/Arrêt button to cancel the programme and to deactivate the appliance
2. Now, you can set a new washing programme. Press again to activate the appliance.

Opening the door - adding garments

While a programme or the delay start operates, the appliance door is locked.




1. Touch the Start/Pauze - Départ/Pauze button
2. Open the appliance door. If necessary, add or remove the items.
3. Close the door and touch the Start/Pauze - Départ/Pauze again. The programme or the delay start continues.

End of the programme

1. The appliance stops automatically. The acoustic signals operate (if they are active).
2. The indicator of the Start/Pauze - Départ/Pauze button goes off. The door unlocks and the indicator  goes off.
3. Press the Aan /Uit - Marche/Arrêt button to deactivate the appliance. Keep the door and the detergent dispenser slightly ajar to prevent mildew and odours.

Draining water out after end of cycle

If you have chosen a programme or an option that does not empty out the water of the last rinse you must remember to drain the water to open the door.

1. Touch button Start/Pauze - Départ/Pauze.
 - If you have set , the appliance drains the water and spins.
 - If you have set  ^{dB}, the appliance only drains the water.
2. Touch button Centrifugeren - Essorage to decrease the spin speed proposed by the appliance. When the programme is completed and the door locked indicator  goes off, you can open the door.
3. Press the Aan /Uit - Marche/Arrêt to deactivate the appliance.

Stand-by function

The Stand-by function automatically deactivates the appliance to reduce the energy consumption.

11. CARE AND CLEANING

WARNING!

Refer to Safety chapters.

11.1 Periodic cleaning schedule

Periodic cleaning helps to extend the life of your appliance.

After each cycle, keep the door and the detergent dispenser slightly open to get air circulation and dry the humidity inside the appliance.

If the appliance is not used for a long time: close the water tap and unplug the appliance.

Indicative periodic cleaning schedule:

Descaling	Twice a year
Maintenance wash	Once a month
Clean door seal	Every two months
Clean drum	Every two months
Clean detergent dispenser	Every two months
Clean drain pump filter	Twice a year
Clean the inlet hose and the valve filter	Twice a year

11.2 Removing foreign objects



Make sure that pockets are empty and all loose elements are tied up before running your cycle.

Remove any foreign objects (such as metal clip, buttons, coins, etc) that you may find in the door seal, the filters and the drum. Refer to "Door seal with double lip trap", "Cleaning the drum", "Cleaning the drain pump" and "Cleaning the inlet hose and the valve filter" paragraphs. Be careful with curtains. Remove the hooks and put the curtains in a washing bag or pillowcase. If necessary, please contact the Authorised Service Centre.

11.3 External cleaning

Clean the appliance with mild soap and warm water only. Fully dry all the surfaces. Do not use a scouring pads or any scratching material.



CAUTION!

Do not use alcohol, solvents or chemical products.



CAUTION!

Do not clean the metal surfaces with chlorine-based detergent.

11.4 Descaling



If the water in your area is hard or medium hard, we recommend that you use a water softener for washing machines (descaling occasionally).

Regularly examine the drum to check for limescale.



Always follow the instructions that you find on the packaging of the product.

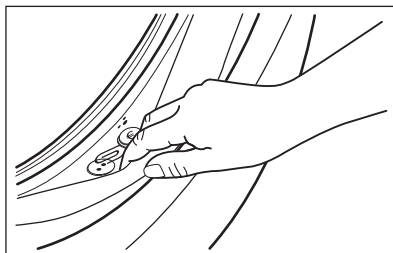
11.5 Maintenance wash

With the low temperature programmes it is possible that some detergent stays in the drum. Perform a maintenance wash regularly. To do this:

- Remove all laundry from the drum.
- Select the cotton programme with the highest temperature or use if is available programme Machine Clean. Add a small quantity of powder detergent into empty drum, in order to rinse out any left residues.

11.6 Door seal

This appliance is designed with a **self cleaning draining system**, allowing light fluff fibers that fall off the clothes to be drained out with the water. Regularly examine the seal and if necessary clean as described in the following diagram. Coins, buttons, other small items can be recovered at the end of the cycle.



Clean it when needed, using ammonia cream cleanser agent without scratching the seal surface.



Always obey the instructions that you find on the packaging of the product.

11.7 Cleaning the drum

Regularly examine the drum to prevent rust particles.

For a complete cleaning:

1. Clean the drum with special products for stainless steel.



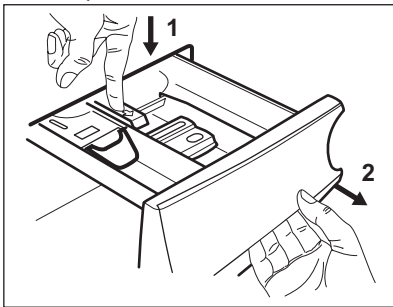
Always follow the instructions that you find on the packaging of the product.

2. Run a short cotton programme at high temperature or use if is available programme Machine Clean. Add a small quantity of powder detergent into empty drum, in order to rinse out any left residues.

11.8 Cleaning the detergent dispenser

To prevent possible deposits of dried detergent or clotted fabric softener and/or formation of mould in the detergent dispenser drawer, every two months carry out the following cleaning procedure how explained in the following diagrams:

1. Open the drawer. Press the catch downwards as indicated in the picture and pull it out.

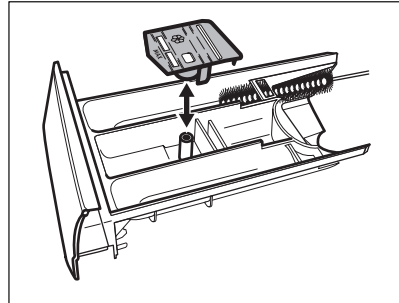


2. Remove the top part of the additive compartment to aid cleaning and flush it

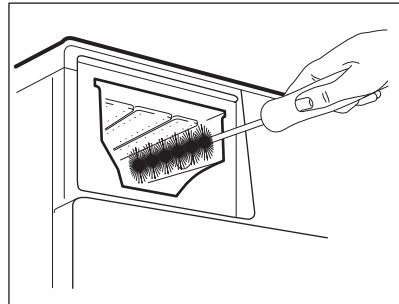
11.9 Cleaning the drain pump filter

Regularly check the drain pump filter and make sure that it is clean.

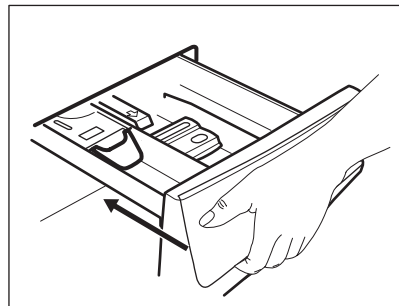
out under running warm water, to remove any traces of accumulated detergent. After cleaning, put the top part back into position.



3. Make sure that all detergent residue is removed from the upper and lower part of the recess. Use a small brush to clean the recess.



4. Insert the detergent drawer into the guide rails and close it. Run the rinsing programme without any clothes in the drum.



Clean the drain pump filter if:

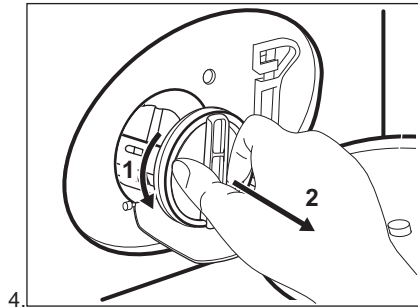
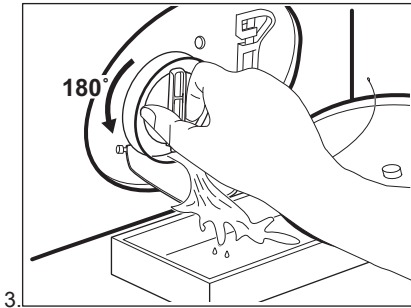
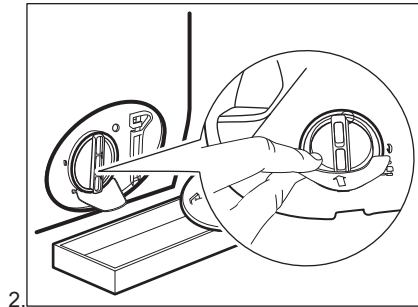
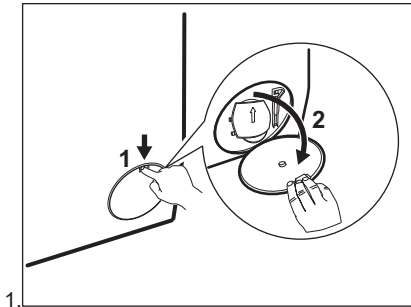
- The appliance does not drain the water.
- The drum does not turn.
- The appliance makes an unusual noise because of the blockage of the drain pump.
- The display shows the alarm code **E20**.

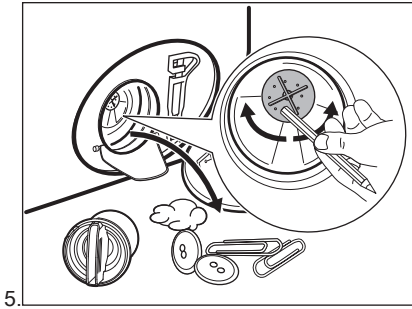
⚠ WARNING!

- Disconnect the mains plug from the mains socket.
- Do not remove the filter while the appliance operates.
- Do not clean the pump if the water in the appliance is hot. Wait until the water cools down .
- Repeat Step 3 several times by closing and opening the valve until the water stops flowing out.

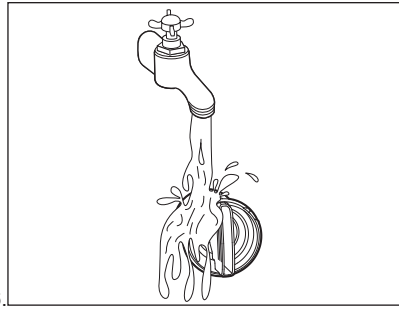
Always keep a rag nearby to dry up any water spillages when removing the filter.

Proceed as described in following diagrams to clean the pump filter:

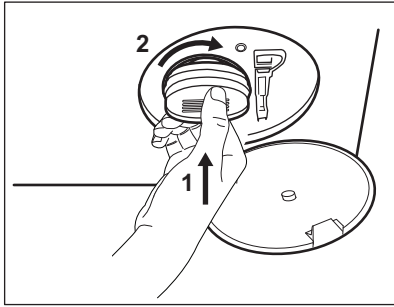




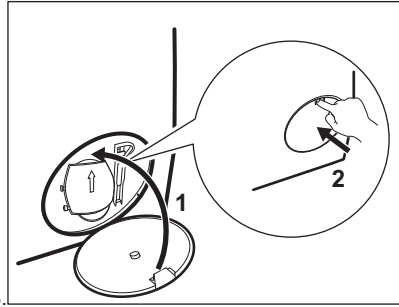
5.



6.



7.



8.

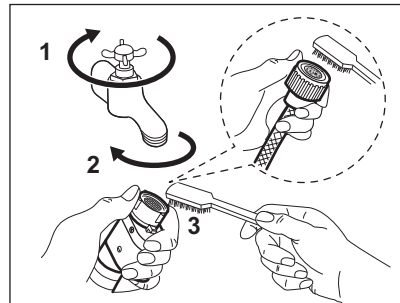
⚠ WARNING!

Make sure that the impeller of the pump can rotate. If it does not rotate, contact the Authorised Service Centre. Make sure also that you tighten the filter correctly to prevent leakages.

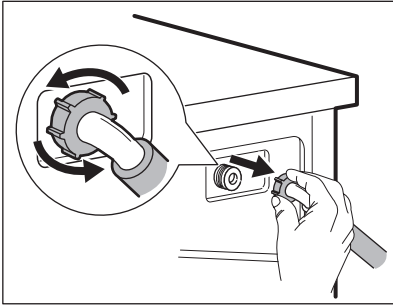
11.10 Cleaning the inlet hose and the valve filter

It is recommended to clean both the filters of the inlet hose and valve twice a year to remove any deposit, collected over the time. Proceed as described in following diagrams to clean filters:

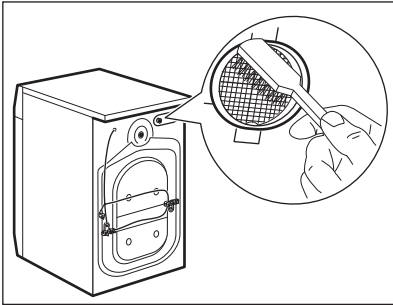
1. Remove the inlet hose from the tap and clean the filter.



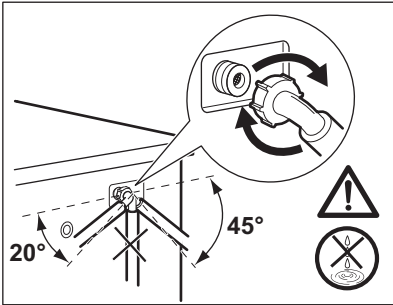
2. Remove the inlet hose from the appliance by loosening the ring nut.



3. Clean the valve filter on the back of the appliance with a toothbrush.



4. When you reconnect the hose to the back of the appliance, turn it left or right (not in vertical position) depending on the position of your water tap.



11.11 Emergency drain

If the appliance cannot drain the water, carry out the same procedure, described in 'Cleaning the drain pump' paragraph. If necessary, clean the pump.

11.12 Frost precautions

If the appliance is installed in an area where the temperature can reach the values around 0° C or drop below, remove the remaining water from the inlet hose and the drain pump.

1. Disconnect the mains plug from the mains socket.
2. Close the water tap.
3. Put the two ends of the inlet hose in a container and let the water flow out of the hose.
4. Empty the drain pump. Refer to the emergency drain procedure.
5. When the drain pump is empty, install the inlet hose again.

WARNING!

Make sure that the temperature is higher than 0 °C before you use the appliance again.

The manufacturer is not responsible for damages caused by low temperatures.

12. CONSUMPTION VALUES

12.1 Comment



The QR code on the energy label supplied with the appliance provides a web link to the information related to the performance of the appliance in the EU EPREL database. Keep the energy label for reference together with the user manual and all other documents provided with this appliance.

It is also possible to find the same information in EPREL using the link <https://eprel.ec.europa.eu> and the model name and product number that you find on the rating plate of the appliance.

Values and programme duration may differ depending on different conditions (e.g. room temperature, water temperature and pressure, load size and type of laundry, supply voltage) and also if you change the default setting of a programme.

According to Commission Regulation Eu 2019/2023

Eco 40-60 programme	kg	kWh	Litres	hh:mm	% 1)	°C	rpm ²⁾
Full load	9	0.760	64	3:40	53	33	1351
Half load	4,5	0.440	47	2:45	53	27	1351
Quarter load	2,5	0.300	39	2:35	54	26	1351

1) Remaining moisture at the end of the spinning phase. The higher is the spin speed, the higher is the noise and the lower is the remaining moisture.

2) Maximum spin speed.

Common programmes



These values are indicative only.

Programme	kg	kWh	Litres	hh:mm	% 1)	°C	rpm ²⁾
Katoen - Coton ³⁾ 95°C	9	2.75	85	4:00	52	85	1400
Katoen - Coton 60°C	9	1.65	80	3:30	52	55	1400
Katoen - Coton ⁴⁾ 20°C	9	0.35	80	3:00	52	20	1400
Synthetica - Synthé- tiques 40°C	4	0.85	75	2:30	35	40	1200

Programme	kg	kWh	Litres	hh:mm	% 1)	°C	rpm ²⁾
Fijne was - Délicats ⁵⁾ 30°C	2	0.35	60	1:25	35	30	1200
Wol/Zijde - Laine/Soie 30°C	1,5	0.30	70	1:05	30	30	1200

1) Remaining moisture at the end of the spinning phase. The higher is the spin speed, the higher is the noise and the lower is the remaining moisture.

2) Reference indicator of the spin speed.

3) Suitable for washing heavily soiled textiles.

4) Suitable for washing lightly soiled cottons, synthetic and mixed fabrics.

5) It also performs as quick washing cycle for lightly soiled laundry.

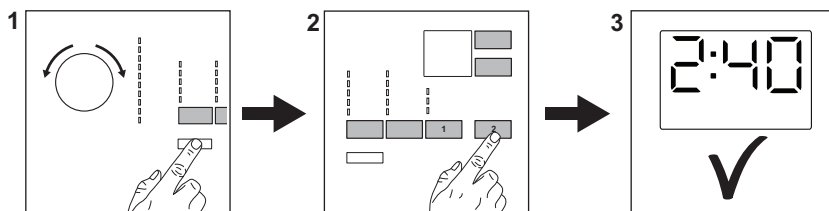
Power consumption in different modes

Off (W)	Stand-by (W)	Delay start (W)
0.50	0.50	4.00

Time to Off/Standby mode is 15 minutes maximum.

13. QUICK GUIDE

13.1 Daily use



Connect the mains plug to the mains socket.

Open the water tap.

Load the laundry.

Pour the detergent and other treatments in the proper compartment of the detergent dispenser.

1. Push the **Aan /Uit - Marche/Arrêt** button to turn the appliance on. Turn the programme dial to set the desired programme.
2. Set the desired options (1) by means of the corresponding touch buttons. To start

the programme, touch the **Start/Pauze - Départ/Pause** (2) button.

3. The appliance starts.

At the end of the programme, remove the laundry.

Push the **Aan /Uit - Marche/Arrêt** button to turn the appliance off.

13.2 Care and cleaning

Periodic cleaning schedule will help to extend the life of your appliance.

After each cycle, keep the door and the detergent dispenser slightly ajar to get air

circulation and dry the humidity inside the appliance: this will prevent mildew and odours.

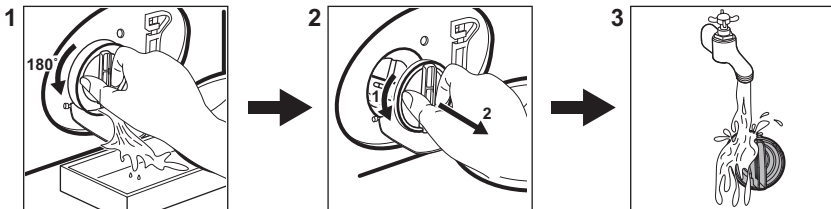
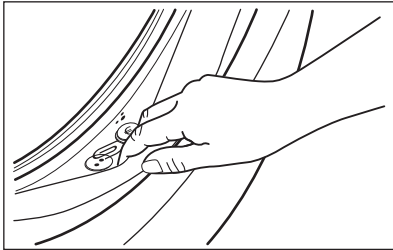
If the appliance is not used for a long time: close the water tap and unplug the appliance.

Descaling	Twice a year
Maintenance wash	Once a month
Clean door seal	Every two months
Clean drum	Every two months
Clean detergent dispenser	Every two months
Clean drain pump filter	Twice a year
Clean the inlet hose and the valve filter	Twice a year

The following paragraphs explain how you should clean some part.

Door seal with double lip trap

This appliance is designed with a **self cleaning draining system**, allowing light fluff fibers that fall off the clothes to be drained out with the water. Regularly examine the seal and if necessary clean as described in the following diagram. Coins, buttons, other small items can be recovered at the end of the cycle.



Clean it when needed, using ammonia cream cleanser agent without scratching the seal surface.



Always obey the instructions that you find on the packaging of the product. Check and remove objects (if there are any) that could be trapped in the fold. Make sure that no laundry remains between the seal and the door. Use a moist cloth to wipe off any dirt or water residue left behind in the door seal after completion of program cycle.

Removing foreign objects





Make sure that pockets are empty and all loose elements are tied up before running your cycle.

Remove any foreign objects (such as metal clip, buttons, coins, etc) that you may find in the door seal, the filters and the drum. If necessary, please contact the Authorised Service Centre.

Cleaning the drain pump filter

Clean the filter regularly and, especially, if the alarm code **E20** appears on the display.

13.3 Programmes

Programmes	Load	Product description
Eco 40-60 ¹⁾	9 kg	White and coloured cottons. Normally soiled garments.
Katoen - Coton	9 kg	White cotton and coloured cotton.
Synthetica - Synthétiques	4 kg	Synthetic items or mixed fabric items.
Fijne was - Délicats	2 kg	Delicate fabrics such as acrylics, viscose, polyester items.
Wol/Zijde - Laine/Soie 	1,5 kg	Machine washable wool, hand washable wool and delicates.
20 min. - 3 kg	3,5 kg	Cotton and synthetic lightly soiled items or once worn items.
Katoen - Coton 20°	9 kg	Mixed fabrics. Cotton and synthetic items.
Dekbed - Duvet	3 kg	Synthetic or feather and down filled blankets, padded clothes, duvets.
Anti-allergie 	9 kg	White cotton items. This program removes more than 99,99% of bacteria and viruses ²⁾ . It also ensure a proper reduction of allergens.
Centrifugeren/Pompen - Essorage/Vidange	9 kg	All fabrics, except woollens and very delicate fabrics. Programme for spinning and draining the water.

Loading the appliance to the **maximum capacity indicated for each programmes helps to reduce energy and water consumption**

1) According to Commission Regulation EU 2019/2023, this programme at 40 °C is able to clean normally soiled cotton laundry declared to be washable at 40 °C or 60 °C, together in the same cycle.





For the reached temperature in the laundry, the programme duration and other data, please refer to 'Consumption Values' chapter.

The most efficient programmes in terms of energy consumption are generally those that perform at lower temperatures and longer duration.

2) Tested for Staphylococcus aureus, Enterococcus faecium, Candida albicans, Pseudomonas aeruginosa and MS2 Bacteriophage in external test performed by Swisstest Testmaterialien AG in 2021 (Test Report No. 202120117).

Suitable detergents for washing programmes

Programme	Universal powder ¹⁾	Liquid Universal	Liquid for coloureds	Delicates woollens	Special
Eco 40-60	▲	▲	▲	--	--
Katoen - Coton	▲	▲	▲	--	--
Synthetica - Synthétiques	▲	▲	▲	--	--

Programme	Universal powder ¹⁾	Liquid Universal	Liquid for coloureds	Delicates woollens	Special
Fijne was - Délicats	--	--	--	▲	▲
Wol/Zijde - Laine/Soie 	--	--	--	▲	▲
20 min. - 3 kg	--	▲	▲	--	--
Katoen - Coton 20°	▲	▲	▲	--	--
Dekbed - Duvet	--	--	--	▲	▲
Anti-allergie 	▲	▲	▲	--	--

1) At temperature higher than 60 °C the use of powder detergent is recommended.

-- = Not recommended ▲ = Recommended

13.4 Detergent type and quantity.

- Use only detergents and other treatments specially made for washing machines.

First, follow these generic rules:

- powder detergents (also tablets and single-dose detergents) for all types of fabric, excluding delicate. Prefer powder detergents containing bleach for whites and laundry sanitization,
- liquid detergents (also single-dose detergents), preferably for low temperature wash programmes (60 °C max) for all types of fabric, or special ones for woollens only.
- Do not mix different types of detergents.
- Use less detergent if:

- you are washing a small load,
- the laundry is lightly soiled,
- there is large amounts of foam during washing.

- When using detergent tabs or pods, always put them inside the drum, not in the detergent dispenser and follow the manufacturer's recommendations.

Insufficient detergent may cause:

- unsatisfactory washing results,
- the wash load to turn grey,
- greasy clothes,
- mould in the appliance.

Excessive detergent may cause:

- sudsing,
- reduced washing effect,
- inadequate rinsing,
- a greater impact for the environment.

14. ALARM CODES AND POSSIBLE FAILURES

The appliance does not start or it stops during operation. First try to find a solution to the problem (refer to the tables).

WARNING!

Deactivate the appliance before carrying out any check.

Problem	Possible solution
---------	-------------------

E10

The appliance does not fill with water properly.

- Make sure that the water tap is open.
- Make sure that the pressure of the water supply is not too low. For this information, contact your local water authority.
- Make sure that the water tap is not clogged.
- Make sure that the inlet hose has no kinks, damages or bends.
- Make sure that the connection of the water inlet hose is correct.
- Make sure that the filter of the inlet hose and the filter of the valve are not clogged.

E20

The appliance does not drain the water.

- Make sure that the sink spigot is not clogged.
- Make sure that the drain hose has no kinks or bends.
- Make sure that the drain filter is not clogged. Clean the filter, if necessary.
- Make sure that the connection of the drain hose is correct.
- Set the drain programme if you set a programme without drain phase.
- Set the drain programme if you set an option which ends with water in the tub.

E40

The appliance door is open or not closed correctly.

- Make sure that the door is properly closed.

E91

Internal fail. No communication between electronic elements of the appliance.

- The programme was not finished properly or the appliance stopped too early. Switch the appliance off and on again.
- If the alarm code appears again, contact the Authorised Service Centre.

EKO

The mains supply is unstable.

- Wait until mains supply is stable.

EFO


The anti-flood device is on.


- Disconnect the appliance and close the water tap. Contact the Authorised Service Centre.

If the problem persists, contact the Authorised Service Centre. The necessary data for the service centre are on the rating plate

*Some alarm codes may not occur. Subject to change without notice.

15. ENVIRONMENTAL CONCERNS

Recycle materials with the symbol . Put the packaging in relevant containers to recycle it. Help protect the environment and human health by recycling waste of electrical and electronic appliances. Do not dispose of

appliances marked with the symbol  with the household waste. Return the product to your local recycling facility or contact your municipal office.

Welkom bij AEG! Hartelijk dank dat je voor onze apparatuur hebt gekozen.



In ons streven om duurzaam te zijn, reduceren we papieren middelen en verstrekken we online volledige gebruikershandleidingen. Ga naar je volledige gebruikershandleiding op aeg.com/manuals



Advies over gebruik, brochures, het oplossen van problemen, informatie met betrekking tot service en reparatie op aeg.com/support



Koop accessoires, verbruiksartikelen, en originele reserveonderdelen voor je apparaat op aeg.com/shop

Wijzigingen voorbehouden.

INHOUDSOPGAVE

1. VEILIGHEIDSINFORMATIE.....	33
2. VEILIGHEIDSVOORSCHRIFTEN.....	35
3. PRODUCTBESCHRIJVING	38
4. TECHNISCHE INFORMATIE	39
5. INSTALLEREN	39
6. BEDIENINGSPANEEL	43
7. KIEZEN EN TOETSEN	44
8. PROGRAMMA'S	46
9. INSTELLINGEN	49
10. DAGELIJKS GEBRUIK	50
11. ONDERHOUD EN REINIGING	54
12. VERBRUIKSWAARDEN	59
13. SNELHANDLEIDING	60
14. ALARMCODES EN MOGELIJKE STORINGEN.....	64
15. MILIEUBESCHERMING.....	65

1. ⚠ VEILIGHEIDSINFORMATIE



Lees zorgvuldig de meegeleverde instructies voor u het apparaat gaat installeren en gebruiken.

De fabrikant is niet verantwoordelijk voor verwondingen of schade die voortvloeien uit de onjuiste installatie of het onjuiste gebruik. Bewaar de instructies altijd op een veilige en toegankelijke plek voor toekomstig gebruik.

1.1 Veiligheid van kinderen en kwetsbare personen

- Dit apparaat kan worden gebruikt door kinderen van 8 jaar en ouder en door mensen met een beperkt lichamelijk,

zintuiglijk of verstandelijk vermogen of een gebrek aan ervaring en kennis, indien zij onder toezicht staan of instructies hebben gekregen over het veilig gebruiken van het apparaat en indien zij de gevaren begrijpen.

- Kinderen tussen de 3 en 8 jaar oud en personen met zware en complexe beperkingen dienen altijd uit de buurt van het apparaat te worden gehouden, tenzij ze voortdurend onder toezicht staan.
- Kinderen jonger dan 3 jaar dienen, tenzij zij voortdurend onder toezicht staan, bij het apparaat uit de buurt te worden gehouden.
- Houd toezicht op kinderen om te voorkomen dat zij met het apparaat gaan spelen.
- Houd alle verpakking uit de buurt van kinderen en gooi het op passende wijze weg.
- Houd reinigingsmiddelen uit de buurt van kinderen.
- Houd kinderen en huisdieren uit de buurt van het apparaat als de deur open staat.
- Als het apparaat is voorzien van een kinderslot, dient dit te worden geactiveerd.
- Kinderen mogen zonder toezicht geen reinigings- en onderhoudswerkzaamheden aan het apparaat uitvoeren.

1.2 Algemene veiligheid

- Dit apparaat is uitsluitend bedoeld voor het wassen van huishoudelijk, machinewasbaar wasgoed.
- Dit apparaat is bedoeld voor binnenshuis huishoudelijk gebruik.
- Dit apparaat kan worden gebruikt in kantoren, hotelkamers, bed & breakfast-kamers, boerderijgasthuizen en andere soortgelijke accommodaties waar dergelijk gebruik de (gemiddelde) huishoudelijke gebruiksniveaus niet overschrijdt.
- De specificatie van dit apparaat niet wijzigen.

- De maximale belading van het apparaat is 9 kg. Overschrijd de maximale belading van elk programma niet (zie het hoofdstuk 'Programma's').
- De waterdruk bij het watertoevoerpunt van de aansluiting moet liggen tussen 0,5 bar (0,05 MPa) en 8 bar (0,8 MPa).
- De ventilatieopeningen in de onderkant mogen niet worden afgedekt door tapijt, een mat of andere soorten vloerbedekking.
- Het apparaat moet op de waterleiding worden aangesloten met de nieuwe meegeleverde slangsets, of andere nieuwe slangsets geleverd door het geautoriseerd servicecentrum.
- Oude slangsets mogen niet opnieuw worden gebruikt.
- Als het netsnoer beschadigd is, moet de fabrikant, een erkend servicecentrum of een gekwalificeerde persoon deze vervangen teneinde gevaarlijke situaties met elektriciteit te voorkomen.
- Schakel het apparaat uit en trek de stekker uit het stopcontact voordat je onderhoudshandelingen verricht.
- Gebruik geen waterstralen onder druk en/of stoom om het apparaat te reinigen.
- Reinig het apparaat met een vochtige doek. Gebruik alleen neutrale schoonmaakmiddelen. Gebruik geen schuurmiddelen, schuursponsjes, oplosmiddelen of metalen voorwerpen.

2. VEILIGHEIDSVOORSCHRIFTEN

2.1 Installatie



De installatie moet voldoen aan de relevante nationale voorschriften.

- Verwijder alle verpakking en de transportbouten, inclusief de rubberen mof met kunststof afstandhouder.
- Bewaar de transportbouten op een veilige plek. Als het apparaat verplaatst moet worden in de toekomst, moeten ze opnieuw bevestigd worden om de trommel

te vergrendelen om interne schade te voorkomen.

- Pas altijd op bij verplaatsing van het apparaat, want het is zwaar. Gebruik altijd veiligheidshandschoenen en gesloten schoeisel.
- Volg de installatie-instructies die zijn meegeleverd met het apparaat.
- Installeer en gebruik geen beschadigd apparaat.
- Gebruik of installeer het apparaat niet op plekken waar de temperatuur onder de 0°C komt of waar het wordt blootgesteld aan weersomstandigheden.

- Zorg ervoor dat de vloer van de plaats waar u het apparaat installeert, vlak, stabiel, hittebestendig en schoon is.
- Zorg dat er lucht tussen het apparaat en de vloer kan circuleren.
- Als het apparaat op zijn permanente plaats wordt geplaatst, moet u nagaan of het waterpas staat. Is dit niet het geval, stel de stelplaatjes hier dan op af.
- Installeer het apparaat niet direct boven de vloerafvoer.
- Sproei geen water op het apparaat en stel het niet bloot aan overmatige vochtigheid.
- Plaats het apparaat niet op een plek waar de deur niet helemaal open kan.
- Plaats geen gesloten bak om mogelijke waterlekkage op te vangen onder het apparaat. Neem contact op met het geautoriseerd servicecentrum om te raadplegen welke accessoires gebruikt mogen worden.

2.2 Elektrische aansluiting

WAARSCHUWING!

Gevaar voor brand en elektrische schokken.

- **WAARSCHUWING:** Dit apparaat is ontworpen om te worden geïnstalleerd/aangesloten op een aardingsaansluiting in het gebouw.
- Gebruik altijd een juist geïnstalleerd schokbestendig stopcontact.
- Zorg ervoor dat de parameters op het vermogensplaatje overeenkomen met elektrische vermogen van de netstroom.
- Gebruik geen adapters met meerdere stekkers en verlengkabels.
- Zorg dat u de netstekker en het netsnoer niet beschadigt. Indien de voedingskabel moet worden vervangen, dan moet dit gebeuren door onze Klantenservice.
- Steek de stekker pas in het stopcontact als de installatie is voltooid. Zorg ervoor dat het netsnoer na installatie bereikbaar is.
- Raak de stroomkabel of stekker niet aan met natte handen.
- Trek niet aan het netsnoer om het apparaat los te koppelen. Trek altijd aan de stekker.

2.3 Wateraansluiting

- Het toevoerwater mag niet warmer zijn dan 25°C.
- Beschadig de waterslangen niet.
- Indien buizen lang niet zijn gebruikt, er reparaties hebben plaatsgevonden of er nieuwe apparaten zijn geplaatst (watermeters, enz.), moet je, voordat de nieuwe buizen worden aangesloten, het water laten stromen totdat het schoon en helder is.
- Zorg ervoor dat er geen zichtbare waterlekken zijn tijdens en na het eerste gebruik van het apparaat.
- Gebruik geen verlengslang als de toevoerslang te kort is. Neem contact op met de erkende klantenservice voor vervanging van de toevoerslang.
- Bij het uitpakken van het apparaat is het mogelijk dat je water uit de afvoerslang ziet stromen. Dit komt door het testen met water van het apparaat in de fabriek.
- Je kunt de afvoerslang maximaal 400 cm verlengen. Neem contact op met de erkende klantenservice voor de andere afvoerslang en het verlengstuk.
- Zorg ervoor dat de kraan na installatie bereikbaar is.

2.4 Gebruik

WAARSCHUWING!

Gevaar voor letsel, elektrische schokken, brand, brandwonden en schade aan het apparaat.

- Volg de veiligheidsinstructies op de verpakking van het vaatwasmiddel op.
- Plaats geen ontvlambare producten of artikelen die vochtig zijn met ontvlambare producten in, bij of op het apparaat.
- Was geen stoffen die zwaar bevuild zijn met olie, vet of andere vette substanties. Dit kan rubberen onderdelen van het apparaat beschadigen. Was dergelijke stoffen met de hand voordat u ze in het apparaat laadt.
- Gebruik geen wasmiddelgeuren om het risico op beschadiging van plastic en rubberen onderdelen van het apparaat te voorkomen.

- Raak de glazen deur niet aan als een programma in werking is. Het glas kan heet worden.
- Zorg ervoor dat alle metalen voorwerpen van het wasgoed zijn verwijderd.

2.5 Service

- Neem contact op met de erkende servicedienst voor reparatie van het apparaat. Gebruik alleen originele reserveonderdelen.
- Houd er rekening mee dat zelfreparatie of niet-professionele reparatie gevolgen kan hebben voor de veiligheid en de garantie kan doen vervallen.
- De volgende reserveonderdelen zijn beschikbaar gedurende 10 jaar nadat het model is stopgezet: motor- en motorborstels, transmissie tussen motor en trommel, pompen, schokdempers en veren, wastrommel, trommelspin en aanverwante kogellagers, verwarmers en verwarmingselementen, inclusief warmtepompen, leidingen en aanverwante apparatuur, waaronder slangen, kleppen, filters en aquastops, printplaten, elektronische displays, drukschakelaars, thermostaten en sensoren, software en firmware met inbegrip van resetsoftware, deur, deurscharnier en afdichtingen, andere afdichtingen, deurvergrendelingsassemblage, plastic randapparatuur zoals wasmiddeldispensers. De termijn kan in uw land langer zijn. Ga voor meer informatie naar onze website.

- Houd er rekening mee dat sommige van deze reserveonderdelen alleen beschikbaar zijn voor professionele reparateurs en dat niet alle reserveonderdelen relevant zijn voor alle modellen.
- Met betrekking tot de lamp(en) in dit product en reservelampen die afzonderlijk worden verkocht: Deze lampen zijn bedoeld om bestand te zijn tegen extreme fysieke omstandigheden in huishoudelijke apparaten, zoals temperatuur, trillingen, vochtigheid, of zijn bedoeld om informatie te geven over de operationele status van het apparaat. Ze zijn niet bedoeld voor gebruik in andere toepassingen en zijn niet geschikt voor verlichting in huishoudelijke ruimten.

2.6 Verwijdering



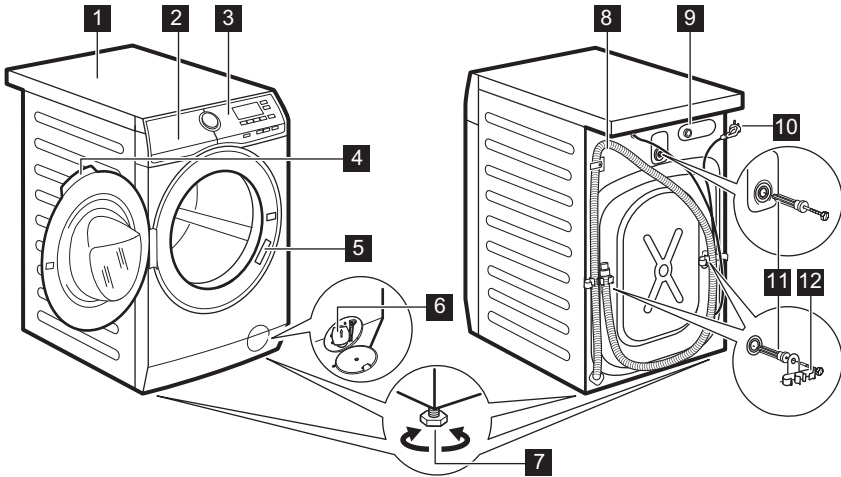
WAARSCHUWING!

Gevaar voor letsel of verstikking.

- Haal de stekker uit het stopcontact en koppel het apparaat los van de watertoevoer.
- Snijd het netsnoer vlak bij het apparaat af en gooi het weg.
- Verwijder de deurvergrendeling om te voorkomen dat kinderen of huisdieren binnen in de trommel vast komen te zitten.
- Gooi het apparaat weg conform de lokale voorschriften voor de verwijdering van elektrische en elektronische apparatuur (AEEA).

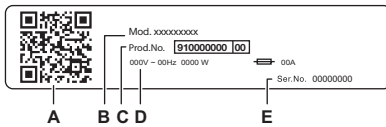
3. PRODUCTBESCHRIJVING

3.1 Apparaatoverzicht



- 1 Bovenblad
- 2 Wasmiddellade
- 3 Bedieningspaneel
- 4 Handgreep
- 5 Typeplaatje
- 6 Filter afvoer pomp
- 7 Voetjes voor het waterpas zetten van het apparaat

- 8 Afvoerslang
- 9 Aansluiting van de watertoevoerslang
- 10 Netsnoer
- 11 Transportbouten
- 12 Slangensteun



Het typeplaatje meldt:

- A. QR-code
- B. Modelnaam
- C. Productnummer
- D. Elektrische classificaties
- E. Serienummer

Scan de **QR-code** op het apparaat om uw product te registreren en er het maximale uit te halen.

-  Toegang tot de details, documentatie en artikelen van je apparaat over het gebruik van de beste functies (Gebruikershandleiding is ook beschikbaar op aeg.com/manuals)
-  Ontvang gebruiksadvis, informatie over probleemoplossing, service en reparatie (ook beschikbaar op aeg.com/support)
-  Koop accessoires, verbruiksartikelen en originele reserveonderdelen voor je apparaat (ook verkrijgbaar op aeg.com/shop)

4. TECHNISCHE INFORMATIE

Afmeting	Breedte / hoogte / totale diepte	59.7 cm /84.7 cm /66.0 cm
Elektrische aansluiting	Spanning (Voltage)	230 V
	Totaal vermogen	2100 W
	Zekering	10 A
	Frequentie	50 Hz
Het beschermdoeksel biedt bescherming tegen vaste stoffen en vochtigheid, behalve op plaatsen waar de laagspanningsapparatuur geen bescherming tegen vocht biedt		IPX4
Watertoevoerdruk	Minimum	0,5 bar (0,05 MPa)
	Maximum	8 bar (0,8 MPa)
Watertoevoer ¹⁾		Koud water
Maximale belasting	Katoen	9 kg

1) Sluit de waterinlaatslang aan op een waterkraan met een 3/4" -schroefdraad.

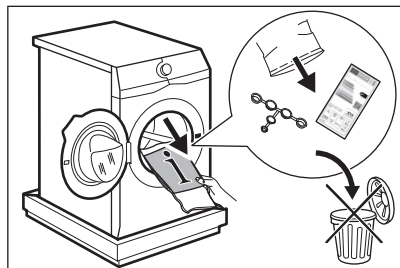
5. INSTALLEREN

WAARSCHUWING!

Raadpleeg de hoofdstukken Veiligheid.

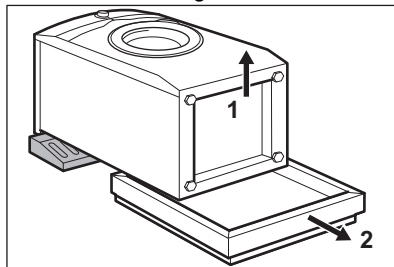
5.1 Uitpakken

1. Open de deur. Haal al het wasgoed uit de trommel.



Accessoires die bij het apparaat worden geleverd, kunnen per model verschillen.

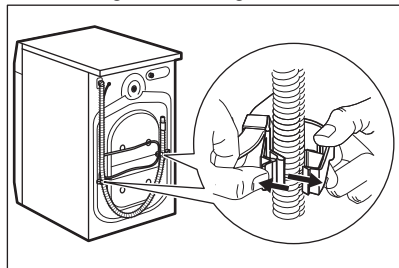
2. Plaats het verpakkingselement op de vloer achter het apparaat en leg het voorzichtig op de achterzijde. Verwijder de bescherming van de bodem.



⚠ LET OP!

Leg de wasmachine niet op zijn voorzijde.

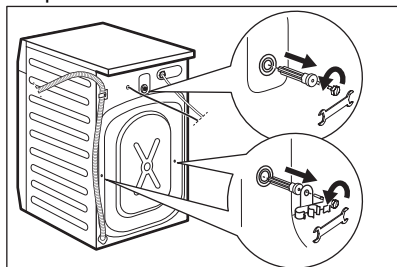
3. Zet het apparaat weer rechtop. Verwijder de elektrische voedingskabel en de afvoerslang uit de slanghouders.



⚠ WAARSCHUWING!

Je ziet mogelijk water dat uit de afvoerslang loopt. Dit komt doordat de wasmachine in de fabriek is getest.

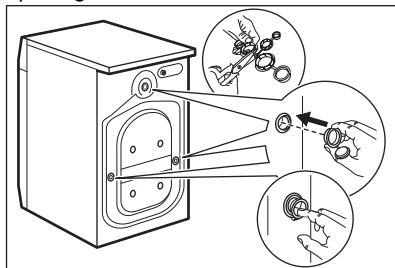
4. Verwijder de drie bouten met de sleutel die bij het apparaat geleverd is. Trek de plastic afstandsstukken naar buiten.



Wij raden je aan om alle transportbouten en verpakking te bewaren voor als je het apparaat gaat verplaatsen.

5. Plaats de plastic doppen, die je in de zak met de gebruiksaanwijzing aantreft, in de

openingen.



5.2 Informatie voor installatie

Positionering en waterpas zetten

Stel het apparaat correct af om trillingen, lawaai en beweging van het apparaat te voorkomen als het in werking is.

1. Monteer het apparaat op een vlakke, harde vloer. Het apparaat moet waterpas en stabiel zijn. Zorg ervoor dat het apparaat de muur of andere apparaten niet aanraakt en dat er luchtcirculatie onder het apparaat is.
2. Draai de voeten los of vast om het niveau aan te passen. Alle voeten moeten stevig op de vloer rusten.

⚠ WAARSCHUWING!

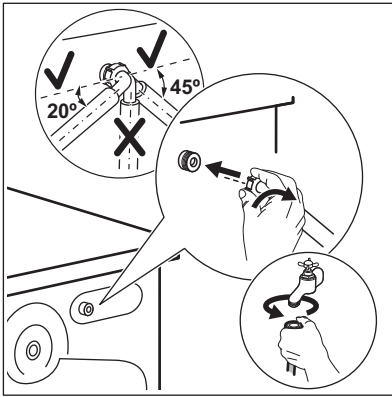
Plaats geen karton, hout of gelijkwaardige materialen onder de voeten van het apparaat om het niveau aan te passen.

De toevoerslang

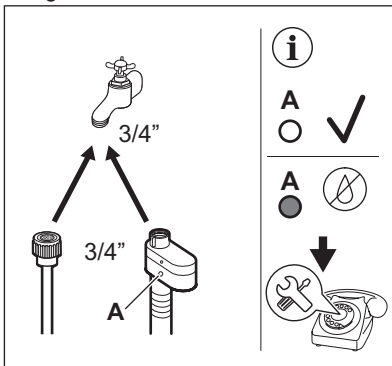
⚠ LET OP!

Zorg ervoor dat de slangen niet beschadigd zijn en dat de koppelingen niet lekken. Gebruik geen verlengslang als de toevoerslang te kort is. Neem contact op met het servicecentrum voor informatie over een vervangende toevoerslang.

1. Sluit indien nodig de watertoevoerslang aan op de achterkant van het apparaat. Meestal is het in de fabriek al geïnstalleerd.



2. Plaats hem naar rechts of links afhankelijk van de positie van de waterkraan. Zorg ervoor dat de toevoerslang niet verticaal staat.
3. Draai indien nodig de ringmoer los om deze in de juiste positie te zetten.
4. Sluit de watertoevoerslang aan op de koudwaterkraan met 3/4" schroefdraad.
5. Sommige modellen kunnen een toevoerslang met een waterstopapparaat bevatten. Het voorkomt lekken in de slang vanwege de natuurlijke veroudering. De sector in het venster toont deze fout **A**. Als dit gebeurt, sluit u de waterkraan en neemt u contact op met het erkende servicecentrum voor informatie over het vervangen van de slang.



⚠ WAARSCHUWING!

Het toevoerwater mag niet warmer zijn dan 25 °C.

Waterafvoer

De afvoerslang moet op een hoogte van niet minder dan 60 cm en niet meer dan 100 cm blijven.



U kunt de afvoerslang verlengen tot maximaal 400 cm. Neem contact op met het erkende servicecentrum voor aanschaf van de andere afvoerslang en het verlengstuk.

Zorg ervoor dat de afvoerslang een lus maakt om te voorkomen dat er deeltjes uit de gootsteen in het apparaat komen.

Sluit de afvoerslang aan op de tapkraan en draai deze vast met een klem. Zorg dat de afvoerslang een bocht maakt om te voorkomen dat deeltjes uit de gootsteen in het apparaat komen.

Plaats de slang rechtstreeks op een ingebouwde afvoerleiding in de kamerwand en draai deze vast met een klem.

Zonder de plastic slanggeleider, naar een gootsteentapkraan- Plaats de afvoerslang in de tapkraan en draai deze vast met een klem.

De afvoerslang kan in U-vorm worden gebogen en rond de plastic geleider worden geplaatst. Aan de rand van een gootsteen - Bepaal de geleider aan de waterkraan of aan de muur.



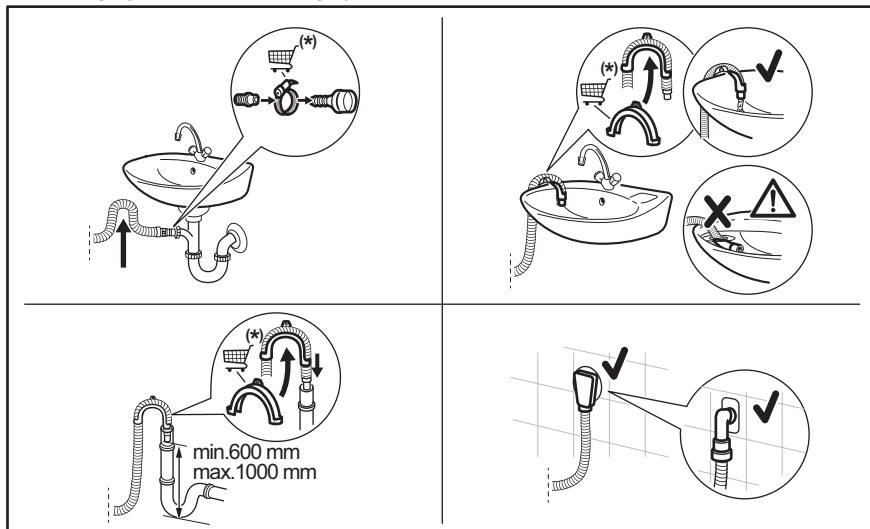
Zorg ervoor dat de plastic geleider niet kan bewegen wanneer het apparaat leegloopt en het uiteinde van de afvoerslang niet in het water is ondergedompeld. Er kan vuil water in het apparaat terechtkomen. Koop accessoires bij een officiële leverancier.

Naar een standaardleiding met ventilatiegat - Steek de afvoerslang rechtstreeks in een afvoerleiding of standleiding.



Het uiteinde van de afvoerslang moet altijd geventileerd zijn, d.w.z. de binnendiameter van de afvoerleiding (min. 38 mm - min. 1,5") moet groter zijn dan de buitendiameter van de afvoerslang.

Het is mogelijk om de afvoerslang op verschillende manieren aan te sluiten:



(*) Onderhevig aan wijziging zonder kennisgeving.

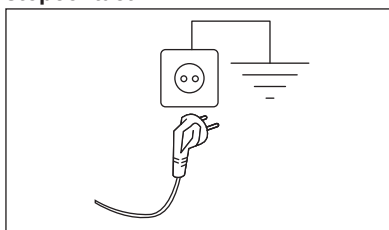
5.3 Elektrische aansluiting

Aan het einde van de installatie kun je de stekker in het stopcontact steken.

Het typeplaatje en het hoofdstuk 'Technische gegevens' geven de benodigde elektrische waarden aan. Zorg ervoor dat ze compatibel zijn met de netvoeding.

Controleer of de elektrische installatie in jouw woning de maximale vereiste belasting aan kan, rekening houdend met andere apparaten die mogelijk ook in gebruik zijn.

Sluit het apparaat aan op een geaard stopcontact.



Het aansluitsnoer moet na de installatie van het apparaat toegankelijk zijn.

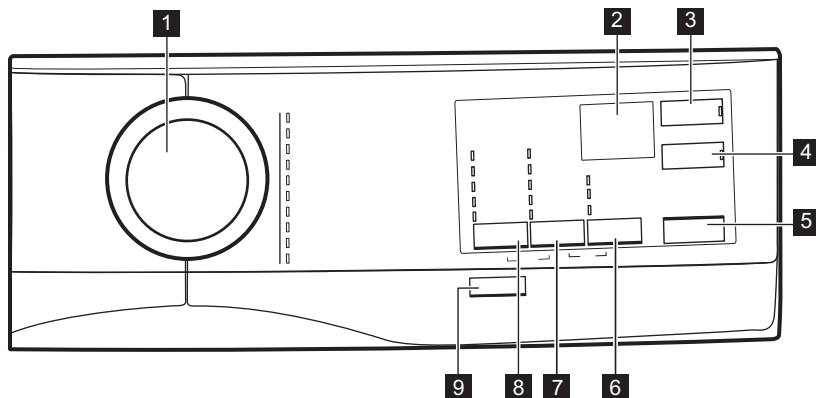
Neem voor alle elektrische werkzaamheden die nodig zijn om dit apparaat te installeren contact op met ons geautoriseerde servicecentrum.




De fabrikant accepteert geen verantwoordelijkheid voor schade of letsel

door het niet opvolgen van bovengenoemde veiligheidsvoorschriften.

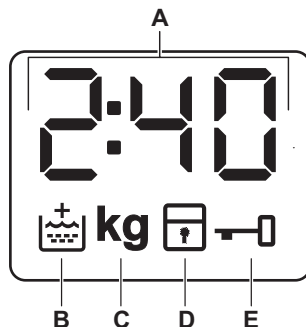
6. BEDIENINGSPANEEL

6.1 Beschrijving bedieningspaneel






- 1 Programmeuzeknop
- 2 Display
- 3 Startuistel - Départ Différé aanraaktoets
- 4 Tijd besparen - Gain de temps aanraaktoets
- 5 Start/Pauze - Départ/Pause aanraaktoets
- 6 Extra aanraaktoets
 - Vlekken - Taches -optie
 - Voorwas - Prélavage -optie
 - Alleen spoelen -optie 
- 7 Centrifugeren - Essorage tiptoets voor verminderopties
 - Niet centrifugeren -optie 
 - Spoelstop -optie 
- 8 Temp. aanraaktoets
- 9 Aan /Uit - Marche/Arrêt drukknop

6.2 Display



- A.  Het controlelampje kan aangeven:
- Duur van het programma (bijv. 2:40).
 - Uisteltijd (bijv. 2h).
 - Einde cyclus (.
 - Waarschuwingcode (bijv. E20).
 - Indicatie van het totale aantal bedrijfsuren van het apparaat. Raadpleeg het gedeelte 'Bedrijfsurenteller' in de paragraaf 'Instellingen' voor meer informatie.

- B.  Controlelampje extra spoelgang. Deze gaat branden als deze optie wordt geselecteerd.
- C. **kg** De aanduiding knippert tijdens de waarneming van de wasgoedlading.

- D.  Controlelampje kinderbeveiliging.
- E.  Controlelampje deur vergrendeld:

7. KIEZEN EN TOETSEN

7.1 Aan /Uit - Marche/Arrêt

Druk een paar seconden op deze toets te drukken kun je het apparaat in- of uitschakelen. Er klinken twee verschillende geluiden als het apparaat in- of uitgeschakeld wordt.

Omdat de stand-by-functie het apparaat automatisch uitschakelt om het energiegebruik in een aantal gevallen te beperken, moet je het apparaat wellicht weer inschakelen.



Het standaard geselecteerde programma bij het inschakelen van de machine is altijd het Eco 40-60-programma.

Raadpleeg de paragraaf over stand-by in het hoofdstuk 'Dagelijks gebruik' voor meer informatie.

7.2 Inleiding



Niet alle opties en functies zijn beschikbaar voor alle wasprogramma's. Controleer de verenigbaarheid van de opties en functies met de wasprogramma's in het 'Programmaoverzicht'. Een optie of functie kan een andere uitsluiten. In zo'n geval staat het apparaat niet toe dat u de onverenigbare opties of functies samen instelt. Zorg dat het scherm en de toetsen altijd schoon en droog zijn.

7.3 Temp.

Wanneer het gewenste programma is gekozen, stelt uw machine automatisch een standaard temperatuur voor.

Stel deze optie in om de standaardtemperatuur te wijzigen.

De aanduiding **X**= koud water van de ingestelde temperatuur gaat aan (het apparaat verwarmt het water niet).

7.4 Centrifugeren - Essorage

Als u een programma instelt, stelt het apparaat automatisch de maximaal toegestane centrifugeersnelheid in.

Raak deze toets herhaaldelijk aan om:

De Spoelstop  te activeren

- Stel deze optie in om te voorkomen dat het wasgoed kreukt.
- Het bijbehorende indicatielampje gaat branden.
- Er is water in de trommel nadat het programma is voltooid.
- De deur blijft vergrendeld en de trommel draait regelmatig om kreuken te verminderen.
- U moet het water afvoeren om de deur te ontgrendelen.
- Als u de Start/Pauze - Départ/Pause knop aanraakt, voert het apparaat de centrifugeerfase uit en pompt het water weg.



Het apparaat zal het water na circa 18 uur automatisch uit het apparaat wegpompen.

De optie Niet centrifugeren  activeren

- Stel deze optie in om alle centrifugeerfasen uit te schakelen. Alleen de afvoerfase is beschikbaar.
- Het bijbehorende indicatielampje gaat branden.
- Stel deze optie in voor zeer fijne stoffen.
- De spoelfase verbruikt meer water voor sommige wasprogramma's.




De centrifugeersnelheid kan worden verlaagd.

7.5 Extra

Druk meerdere malen op deze knop om één van de beschikbare opties te activeren.

• Vlekken - Taches

Kies deze optie om een fase tegen vlekken aan het programma toe te voegen en het zwaar vervuilde of bevleekte wasgoed met een vlekverwijderaar te behandelen.

Giet de vlekverwijderaar in het  vak. De vlekverwijderaar wordt in de toepasselijke fase van het wasprogramma toegevoegd.



Deze optie kan de duur van het programma verlengen.



Deze optie is niet beschikbaar bij een temperatuur lager dan 40 °C.

• Voorwas - Prélavage

Gebruik deze functie om een voorwasfase op 30 °C toe te voegen vóór de wasfase. Deze optie wordt aanbevolen voor zwaar vervuild wasgoed, met in het bijzonder zand, stof, modder en andere vaste deeltjes.



Deze optie kan de duur van het programma verlengen.

• Alleen spoelen

Het apparaat voert alleen de spoelfase, het centrifugeren en het wegpompen van het water van het gekozen programma uit. Het relevante indicatielampje gaat branden.

7.6 Startuitstel - Départ Différé

Met deze optie kunt u het starten van een programma uitstellen naar een handiger tijdstip.

Druk herhaaldelijk op de knop om de gewenste uitsteltijd in te stellen. De tijd wordt met stappen van 30 minuten verhoogd tot 90' en van 2 tot maximaal 20 uur.

Het lampje van de optie en het lampje van de ingestelde waarde branden. Nadat de knopStart/Pauze - Départ/Pauze wordt aangeraakt, begint het apparaat met aftellen.

7.7 Tijd besparen - Gain de temps

Deze optie is raadzaam om het wasprogramma in te korten.

Gebruik deze optie voor wasgoed met normale of lichte vervuiling of om wasgoed op te frissen.

Raak deze knop **eenmaal** aan om de tijdsduur te verminderen.

Raak bij een kleinere lading deze knop **tweemaal** aan om een extra kort programma in te stellen.

Het lampje van de optie en het lampje van de ingestelde waarde branden.




7.8 Start/Pauze - Départ/Pause

Raak toets Start/Pauze - Départ/Pauze aan om het draaiende programma te starten, te pauzeren of te onderbreken.

8. PROGRAMMA'S

8.1 Programmatafel

Wasprogramma's

Programma	Programmabeschrijving
Wasprogramma's	
Eco 40-60	Wit katoen en kleurvast katoen. Normaal vervuilde kledingstukken. Het energieverbruik daalt en de duurtijd van het wasprogramma neemt toe, waardoor goede wasresultaten worden gegarandeerd.
Katoen - Coton	Wit en bont katoen, zwaar en normaal vervuild katoen.
Synthetica - Synthétiques	Synthetische of gemengde stoffen. Normaal vervuilde kledingstukken.
Fijne was - Délicats	Fijne stoffen zoals acryl, viscose en gemengde stoffen hebben een milde wasbeurt nodig. Voor normaal en licht bevuild wasgoed.
Wol/Zijde - Laine/Soie  	Machinewasbestendige wol, handwasbestendige wol en andere stoffen met «handwas»-symbool¹⁾.
20 min. - 3 kg	Katoen en synthetische items licht vervuild of slechts eenmaal gedragen.
Katoen - Coton 20°	Gemengde was (katoenen en synthetische stoffen) ²⁾ .
Dekbed - Duvet	Enkele synthetische deken, gevoerde kleding, dekbedden, donsassen en soortgelijke items.
Anti-allergie 	Witte katoenen kleding. Dit hoogwaardige wasprogramma in combinatie met stoomdamp, verwijdert meer dan 99,99% van bacteriën en virussen ³⁾ de temperatuur gedurende de wasfase boven de 60°C houden; met een extra actie op de vezels dankzij een dampfase, een verbeterde spoelfase zorgt voor een goede verwijdering van wasmiddel en resten van micro-organismen. Dit programma zorgt ook voor een goede vermindering van pollen/allergene voorwerpen.
Centrifugeren/Pompen - Essorage/Vidange	Alle stoffen, behalve wol en zeer delicate stoffen. Om het wasgoed te centrifugeren en het water uit de trommel af te voeren.



1) Tijdens deze cyclus draait de trommel langzaam om te zorgen voor een zacht wasproces. Het kan lijken alsof de trommel niet draait of niet goed draait, maar dat is normaal voor dit programma.

2) Dit programma is voor dagelijks gebruik en heeft het laagste energie- en waterverbruik met behoud van goede wasprestaties.

3) Getest op Staphylococcus aureus, Enterococcus faecium, Candida albicans, Pseudomonas aeruginosa en MS2 Bacteriophage in externe test uitgevoerd door Swisstat Testmaterialien AG in 2021 (testrapport nr. 202120117).

Programmatemperatuur, maximaal centrifugeertoerental en maximale belading

Programma	Standaardtemperatuur Temperatuurbereik	Referentie centrifugeersnelheid Centrifugeersnelheidsbereik	Maximale lading
Wasprogramma's			
Eco 40-60	40 °C ¹⁾	1400 tpm 1400 tpm - 800 tpm	9 kg

Programma	Standaardtemperatuur Temperatuurbereik	Referentie centrifugeersnelheid Centrifugeersnelheidsbereik	Maximale lading
Katoen - Coton	40 °C 95 °C - ✖ (Koud)	1400 tpm 1400 tpm - 800 tpm	9 kg
Synthetica - Synthétiques	30 °C 60 °C - ✖ (Koud)	1200 tpm 1200 tpm - 800 tpm	4 kg
Fijne was - Délicats	30 °C 40 °C - ✖ (Koud)	1200 tpm 1200 tpm - 800 tpm	2 kg
Wol/Zijde - Laine/Soie 	40 °C 40 °C - ✖ (Koud)	1200 tpm 1200 tpm - 800 tpm	1,5 kg
20 min. - 3 kg	30 °C 40 °C - 30 °C	1200 tpm 1200 tpm - 800 tpm	3,5 kg
Katoen - Coton 20°	✖ (Koud)	1400 tpm 1400 tpm - 800 tpm	9 kg
Dekbed - Duvet	40 °C 60 °C - ✖ (Koud)	800 tpm 800 tpm - 800 tpm	3 kg
Anti-allergie 	60 °C	1400 tpm 1400 tpm - 800 tpm	9 kg
Centrifugeren/Pompen - Essorage/ Vidange 2)	-	1400 tpm 1400 tpm - 800 tpm	9 kg







1) Volgens Verordening (EU) 2019/2023 van de Com missie kan dit programma bij 40 °C normaal bevuild katoenen wasgoed dat wasbaar is verklaard bij 40 °C of 60 °C, samen in dezelfde cyclus reinigen.



Voor de bereikte temperatuur in het wasgoed, de duur van het programma en andere gegevens wordt verwezen naar het hoofdstuk 'Verbruikswaarden'.
De meest efficiënte programma's op het gebied van energieverbruik zijn over het algemeen programma's die presteren bij lagere temperaturen en een langere duur.

2) Stel de centrifugeersnelheid in. Zorg ervoor dat deze geschikt is voor het soort stof dat wordt gewassen. Als u de optie Niet centrifugeren instelt, is enkel de afvoerfase beschikbaar.

Compatibiliteit van programmaopties



Opties	Programma Eco 40-60	Katoen - Coton	Synthetica - Synthétiques	Fijne was - Délicats	Wol/Zijde - Laine/Soie 	20 min. - 3 kg	Katoen - Coton 20°	Dekbed - Duvet	Anti-allergie 	Centrifugeren/Pompen - Essorage/Vidange
Centrifugeren - Essorage	■	■	■	■	■	■	■	■	■	■
Niet centrifugeren 		■	■	■	■	■	■		■	■
Spoelstop 	■	■	■	■	■		■		■	
Vlekken - Taches ¹⁾		■	■						■	
Voorwas - Prélavage		■	■				■			■
Alleen spoelen 		■	■	■	■	■	■	■	■	■
Extra spoelen - Rinçage Plus 		■	■	■			■			■
Tijd besparen - Gain de temps ²⁾		■	■	■			■			
Startuitletstel - Départ Différé	■	■	■	■	■	■	■	■	■	■

1) Deze optie is niet beschikbaar bij een temperatuur lager dan 40 °C.

2) Als u de kortste cyclusduur instelt, adviseren wij u de grootte van de lading te verminderen. Het is mogelijk om de volledige lading te gebruiken, maar het wasresultaat kan dan minder bevredigend zijn.

Geschikte wasmiddelen voor wasprogramma's

Programma	Universeel poeder ¹⁾	Universele vloeistof (Liquid Universal)	Vloeistof voor gekleurde was	Fijne was en wol	Speciaal
Eco 40-60	▲	▲	▲	--	--
Katoen - Coton	▲	▲	▲	--	--

Programma	Universeel poeder ¹⁾	Universele vloeistof (Liquid Universal)	Vloeistof voor gekleurde was	Fijne was en wol	Speciaal
Synthetica - Synthétiques	▲	▲	▲	--	--
Fijne was - Délicats	--	--	--	▲	▲
Wol/Zijde - Laine/Soie 	--	--	--	▲	▲
20 min. - 3 kg	--	▲	▲	--	--
Katoen - Coton 20°	▲	▲	▲	--	--
Dekbed - Duvet	--	--	--	▲	▲
Anti-allergie 	▲	▲	▲	--	--

¹⁾ Bij een temperatuur hoger dan 60 °C wordt het gebruik van waspoeder aanbevolen.

▲ = Aanbevolen

-- = Niet aanbevolen

8.2 Woolmark Premium Wool Care - Blauw



De wolwascyclus van deze machine is getest en goedgekeurd door The Woolmark Company voor het wassen van wollen kleding met een wasetiket voor handwas, mits de kledingstukken worden gewassen volgens de instructies op het etiket in het kledingstuk en die van de fabrikant van deze wasmachine. M1512

9. INSTELLINGEN

9.1 Veiligheid van kinderen

Met deze optie kunt u voorkomen dat kinderen met het bedieningspaneel spelen.

- Voor het **inschakelen/uitschakelen** van deze optie raakt u tegelijkertijd Centrifugereren - Essorage en Extra aan tot het indicatielampje  **aan/uit gaat**. U kunt deze optie inschakelen:

- Nadat u toets Start/Pauze - Départ/Pause aanraakt: alle knoppen en de programmaknop worden uitgeschakeld (behalve de toets Aan /Uit - Marche/Arrêt).
- Voordat u toets Start/Pauze - Départ/Pause aanraakt: kan het apparaat niet starten.

Het apparaat behoudt de keuze van deze optie nadat u het heeft uitgeschakeld.

9.2 Geluidssignalen

Er klinkt een geluidssignaal als het programma voltooid is (gedurende 2 minuten opeenvolgende geluiden).

Voor het **uitschakelen/inschakelen** van de geluidssignalen raakt u gedurende 6 seconden tegelijkertijd toets Startuitstel - Départ Différé en Tijd besparen - Gain de temps aan.



Als u de geluidssignalen uitschakelt, werken ze wel als er een storing optreedt.

9.3 Permanent extra spoelen

Met deze optie kunt bij elke programma automatisch een extra spoelbeurt instellen.

- Voor het **inschakelen/uitschakelen** van deze optie raakt u tegelijkertijd Temp. en Centrifugeren - Essorage aan tot het relevante indicatielampje op het display  **aan/uit gaat**.

9.4 Teller bedrijfsuren

Het is mogelijk om de totale bedrijfstijd van het apparaat in uren te visualiseren, vanaf de eerste keer dat het wordt ingeschakeld. Deze waarde telt de bedrijfstijd van de cycli (exclusief pauzes, vertraagde starttijd). Ga als volgt te werk om deze waarde te visualiseren:

1. Schakel het apparaat in door op de toets Aan /Uit - Marche/Arrêt te drukken.
2. Draai de programmatoets naar het Eco 40-60 -programma (1e positie rechtsom).
3. Houd de Startuitstel - Départ Différé toetsen Tijd besparen - Gain de temps en enkele seconden ingedrukt (binnen 10 seconden na het inschakelen. Na deze 10 seconden activeert en deactiveert de toetsencombinatie de geluidssignalen).

4. Na 3 seconden wordt het totale aantal uren dat het apparaat werkt op het display weergegeven: bijv. 1276 uur toont het display de tekst Hr gedurende 2 seconden, 12 (honderdtallen en honderdtallen) gedurende 2 seconden en 76 (tientallen en eenheden).



Als de procedure niet werkt (vanwege time-out, verkeerde programmakeuzeknop of verkeerde toetsencombinatie), schakelt u het apparaat uit waarna u de volgorde vanaf het begin herhaalt.

9.5 Standaardinstellingen

Met deze functie kun je de standaard fabrieksinstellingen herstellen. Volg onderstaande stappen om deze optie te **activeren**:

1. Schakel het apparaat in door op de toets Aan /Uit - Marche/Arrêt te drukken.
2. Draai de programmatoets naar het Synthetica - Synthétiques programma (3e positie rechtsom).
3. Houd de Startuitstel - Départ Différé toetsen Tijd besparen - Gain de temps en enkele seconden ingedrukt (binnen 10 seconden na het inschakelen. Na deze 10 seconden activeert en deactiveert de toetsencombinatie de geluidssignalen).
4. Het display wordt — — — ongeveer 5 seconden weergegeven.



Als de procedure niet werkt (vanwege time-out, verkeerde programmakeuzeknop of verkeerde toetsencombinatie), schakelt u het apparaat uit waarna u de volgorde vanaf het begin herhaalt.

10. DAGELIJKS GEBRUIK



WAARSCHUWING!

Raadpleeg de hoofdstukken Veiligheid.

10.1 Het apparaat inschakelen

1. Steek de stekker in het stopcontact.
2. Open de waterkraan.

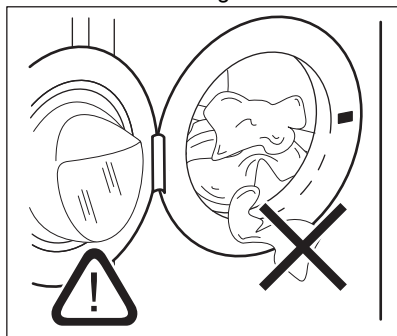
3. Druk een paar seconden op de toets om het apparaat in te schakelen.
Er klinkt een korte toon (indien ingeschakeld).

10.2 Wasgoed in de machine doen

- Open de deur van het apparaat.
- Schud de artikelen goed door elkaar voordat je ze in de machine stopt.
- Doe het wasgoed een voor een in de trommel.

Zorg ervoor dat u niet te veel was in de trommel doet.

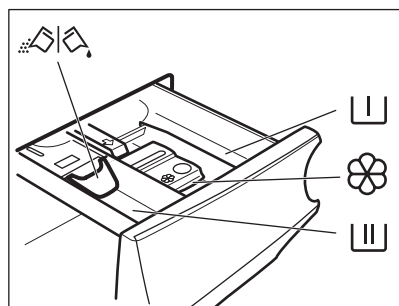
- Sluit de deur stevig.



⚠ LET OP!

- Controleer of er geen wasgoed tussen het deurrubber en de deur blijft zitten. Hierdoor kan waterlekage en/of schade aan het wasgoed ontstaan.
- Het wassen van sterk olieachtige, vette vlekken of het gebruik van parfum kan leiden tot schade aan rubberen onderdelen van het apparaat.

10.3 Wasmiddel en aanvullende middelen vullen



	Vakje voor het voorwasmiddel, weekprogramma of de vlekkenverwijderaar.
	Vakje voor de wasfase.
	Vakje voor vloeibare toevoegingen (wasverzachter, stijfse).
MAX	Maximaal niveau voor vloeibare toevoegingen.
	Klep voor waspoeder of vloeibaar wasmiddel.



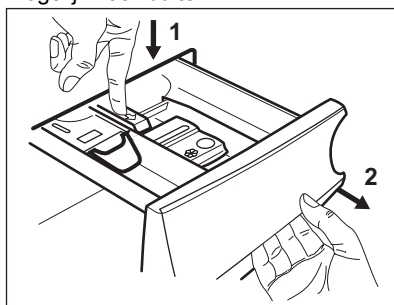
Volg altijd de instructies op die u op de verpakking van het wasmiddel aantreft. We raden u wel aan het maximaal aangegeven niveau niet te overschrijden (**MAX**). Deze hoeveelheid zal u echter de beste wasresultaten geven.



Verwijder na de wascyclus indien vereist achtergebleven wasmiddel uit het wasmiddelvakje.

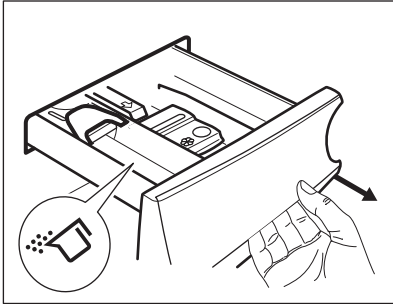
10.4 De stand van de klep controleren

1. Trek de wasmiddeldispenserlade zo ver mogelijk naar buiten.

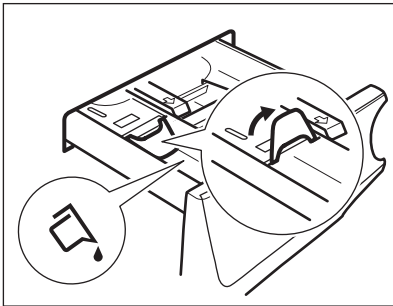


2. Druk de hendel omlaag om de dispenser te verwijderen.

3. Draai de klep omhoog om waspoeder te gebruiken.



4. Draai de klep omlaag om vloeibaar wasmiddel te gebruiken.

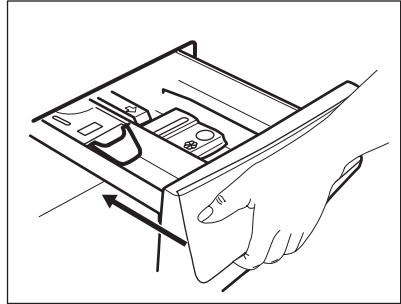


Met de klep in de stand OMLAAG:

- Gebruik geen geleiachtige of dikvloeibare wasmiddelen.
- Giet niet meer vloeibaar wasmiddel in het vakje dan de limiet op de klep.
- Stel de voorwasfase niet in.
- Stel de uitgestelde start niet in.

5. Doseer het wasmiddel en de wasverzachter.

6. Sluit de wasmiddeldispenserlade zorgvuldig.



Zorg ervoor dat de klep geen verstopping veroorzaakt wanneer u de lade sluit.

10.5 Een programma instellen

1. Draai de programmaknop op het gewenste wasprogramma. Het bijbehorende indicatielampje gaat branden.

Het lampje van de knop Start/Pauze - Départ/ Pause knippert.

Op het display verschijnt de geschatte programmaduur.

2. Om de temperatuur en/of de centrifugesnelheid te wijzigen, raakt u de bijbehorende toetsen aan.
3. Stel indien gewenst een of meer opties in door de desbetreffende knoppen aan te raken. De bijbehorende aanduidingen gaan vervolgens aan in het display en de aangegeven informatie wijzigt.



Als een keuze **niet mogelijk** is gaat de aanwijzing niet aan en klinkt er een geluidssignaal.

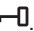
10.6 Aanvullende informatie over dagelijks gebruik

De ProSense-ladingdetectie

Het apparaat detecteert de lading in de eerste 30 seconden, tijdens de detectie knippert het indicatielampje. Het indicatielampje stopt met knipperen aan het einde van de ladingdetectie **een overladen trommel** blijkt te zijn, zal het lampje **MAX** op het display knipperen: Het is mogelijk om het apparaat te pauzeren en de overtollige

kledingstukken te verwijderen. Als de hoeveelheid wasgoed niet wordt verminderd, start het wasprogramma toch. Circa 20 minuten na de start van het programma kan de programmaduur afhankelijk van de capaciteit van de wateropname van de stoffen weer worden aangepast. De ProSense Technology is niet beschikbaar in programma's met korte cycli.

Een programma starten

Raak de Start/Pauze - Départ/Pause-toets aan om het programma te starten. Het bijbehorende indicatielampje stopt met knipperen en blijft aan. Het programma start, de deur wordt vergrendeld. De display toont het indicatielampje .

Een programma starten met uitgestelde start

1. Druk herhaaldelijk op de toets Startuitstel - Départ Différé totdat het display de gewenste uitsteltijd weergeeft.

2. Druk op de Start/Pauze - Départ/Pause-knop. De deur van het apparaat wordt vergrendeld en het aftellen voor de uitgestelde start begint. Nadat het aftelproces voltooid is, wordt het programma automatisch gestart.

Een programma onderbreken en de opties wijzigen.

1. U kunt als er een programma bezig is maar een paar opties wijzigen. Druk op de Start/Pauze - Départ/Pause-knop.

2. Wijzig de opties. De weergegeven informatie in het display wijzigt overeenkomstig.

3. Raak de Start/Pauze - Départ/Pause opnieuw aan. Het wasprogramma gaat verder.

Een actief programma stoppen

1. Druk op de toets Aan /Uit - Marche/Arrêt om het programma te annuleren en om het apparaat uit te schakelen

2. Je kunt nu een nieuw wasprogramma instellen. Druk opnieuw om het apparaat in te schakelen.

De deur openen - kledingstukken toevoegen

Als een programma of het startuitstel in werking is, wordt het deksel van het apparaat vergrendeld.


1. Druk op de Start/Pauze - Départ/Pause-knop

2. Open de deur van het apparaat. Indien nodig kunt u items toevoegen of uitnemen.

3. Sluit de deur en raak de Start/Pauze - Départ/Pause weer aan. Het programma of het startuitstel gaat verder.

Einde van het programma

1. Het apparaat stopt automatisch. De akoestische signalen werken (als deze actief zijn).


2. Het lampje van toets Start/Pauze - Départ/Pause gaat uit. De deur ontgrendelt en de aanduiding  gaat uit.

3. Druk op de Aan /Uit - Marche/Arrêt-knop om het apparaat uit te zetten. Laat de deur en de wasmiddeldoseerlade iets openstaan om de vorming van schimmel en onaangename geuren te voorkomen.

Water afvoeren na het einde van de cyclus

Indien u een programma of een optie hebt gekozen die het water van de laatste spoelbeurt niet wegpompt, moet u het water laten aflopen om de deur te kunnen openen.

1. Raak toets Start/Pauze - Départ/Pause aan.

- Indien u  heeft ingesteld, pompt het apparaat het water weg en gaat centrifugeren.

- Indien u  heeft ingesteld, pompt het apparaat alleen het water weg.

2. Druk op toets Centrifugeren - Essorage om de centrifugeersnelheid te verlagen die door het apparaat wordt voorgesteld. Als het programma is voltooid en het deur

vergrendeld-indicatielampje  uit gaat, kunt u de deur openen.

3. Druk op de Aan /Uit - Marche/Arrêt-knop om het apparaat uit te zetten.

Stand-by-functie

De stand-by-functie schakelt het apparaat automatisch uit om stroom te besparen.

11. ONDERHOUD EN REINIGING

WAARSCHUWING!

Raadpleeg de hoofdstukken Veiligheid.

11.1 Schema periodieke reiniging

Periodiek reinigen helpt de levensduur van je apparaat te verlengen.

Houd na elke cyclus de deur en het wasmiddeldoseerbakje een beetje open om luchtcirculatie te krijgen en de vochtigheid in het apparaat te drogen.

Als het apparaat lange tijd niet wordt gebruikt: sluit de waterkraan en trek de stekker uit het stopcontact.

Indicatief schema voor periodiek reinigen:

Ontkalken	Twee keer per jaar
Onderhoudswas	Eenmaal ter maand
Deurafdichting reinigen	Iedere twee maanden
Trommel reinigen	Iedere twee maanden
Wasmiddeldoseerbakje reinigen	Iedere twee maanden
De filter van de afvoer- pomp reinigen	Twee keer per jaar
De filter van de toevoers- lang en de klepfilter reinigen	Twee keer per jaar

11.2 Vreemde voorwerpen verwijderen



Zorg ervoor dat de zakken leeg zijn en dat alle losse elementen zijn vastgebonden voordat u uw wascyclus uitvoert.

Verwijder alle vreemde voorwerpen (zoals metalen clip, knoppen, munten, enz.) die u kunt vinden in de deurafdichting, de filters en de trommel. Raadpleeg de paragrafen 'Deurafdichting met dubbele lip', 'De trommel reinigen', 'De afvoerpomp reinigen' en 'De filter van de toevoerslang en de klepfilter reinigen'. Wees voorzichtig met gordijnen.

Verwijder de haken en plaats de gordijnen in een waszak of kussensloop. Neem indien nodig contact op met het erkende servicecentrum.

11.3 Buitenkant reinigen

Het apparaat alleen schoonmaken met milde zeep en warm water. Maak alle oppervlakken volledig droog. Gebruik geen schuursponsjes of krassend materiaal.

LET OP!

Gebruik geen alcohol, oplosmiddelen of chemische producten.

LET OP!

Reinig de metalen oppervlakken niet met een reinigingsmiddel op chloorbasis.

11.4 Ontkalken



Als het water in uw omgeving hard of medium hard is, raden we u aan om een waterontharder voor wasmachines te gebruiken (zo af en toe ontkalken).

Controleer de trommel regelmatig op kalkaanslag.



Volg altijd de instructies die je op de verpakking van het product vindt.

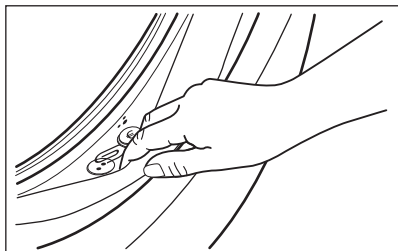
11.5 Onderhoudswasbeurt

Bij programma's met lage temperaturen is het mogelijk dat er wat wasmiddel achterblijft in de trommel. Voer regelmatig een onderhoudswasbeurt uit. Ga als volgt te werk:

- Haal al het wasgoed uit de trommel.
- Selecteer het katoenprogramma met de hoogste temperatuur of gebruik, indien beschikbaar, het programma Machine Clean. Voeg een kleine hoeveelheid waspoeder toe aan de lege trommel om achtergebleven resten weg te spoelen.

11.6 Deurrubber

Dit apparaat is ontworpen met een **zelfreinigend afvoersysteem**, waardoor lichte pluisvezels die van de kleding vallen met het water kunnen worden afgevoerd. Controleer het deurrubber regelmatig en reinig het indien nodig zoals beschreven in het volgende diagram. Munten, knoppen en andere kleine voorwerpen kunnen aan het einde van de cyclus worden teruggevonden.



Maak schoon indien nodig met een ammoniakmiddel zonder het oppervlak van de afdichting te bekrassen.



Volg altijd de instructies die je op de verpakking van het product vindt.

11.7 De trommel reinigen

Controleer de trommel regelmatig om roestdeeltjes te voorkomen.

Voor een complete reiniging:

1. Reinig de trommel met speciale producten voor roestvrij staal.



Volg altijd de instructies die u vindt op de verpakking van het product.

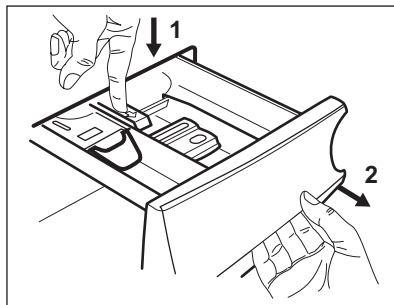
2. Laat een kort katoenprogramma op hoge temperatuur draaien of gebruik, indien beschikbaar, programma Machine Clean. Voeg een kleine hoeveelheid waspoeder toe aan de lege trommel om achtergebleven resten weg te spoelen.

11.8 Het wasmiddelbakje reinigen

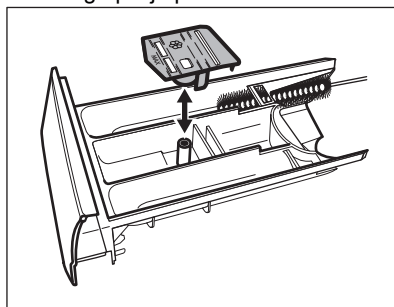
Om mogelijke afzetting van opgedroogd wasmiddel of geklonterde wasverzachter

en/of schimmelvorming in de wasmiddellade te voorkomen, dient u elke twee maanden de volgende reinigingsprocedure uit te voeren, zoals uitgelegd in de volgende diagrammen:

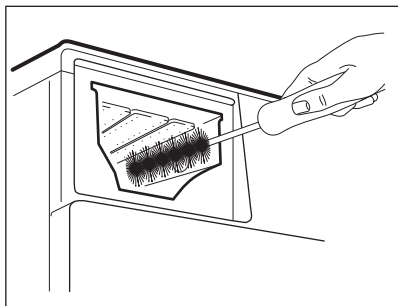
1. Open de lade. Duw de pal zoals aangegeven in de afbeelding naar beneden en trek de lade uit.



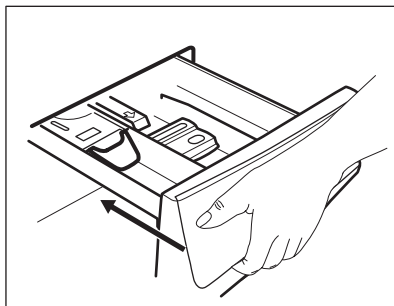
2. Verwijder het bovenste gedeelte van het vak voor toevoegingen om het reinigen te vereenvoudigen en spoel het af onder de kraan met warm water om resten van opgehoopt wasmiddel te verwijderen. Plaats het bovenste gedeelte na reiniging terug op zijn plek.



3. Zorg ervoor dat achtergebleven wasmiddel volledig is verwijderd uit het bovenste en onderste gedeelte van de holte. Gebruik een klein borsteltje om de holte te reinigen.



4. Plaats de wasmiddellade in de geleiders en sluit de lade. Draai het spoelprogramma zonder kleding in de trommel.



11.9 Het filter van de afvoerpomp reinigen

Controleer het filter van de afvoerpomp regelmatig en houd het schoon.

Het filter van de afvoerpomp reinigen indien:

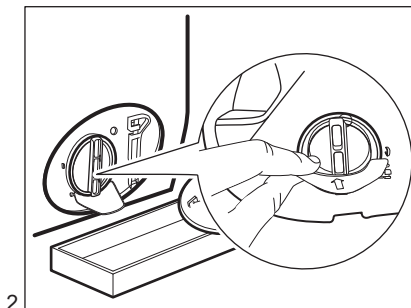
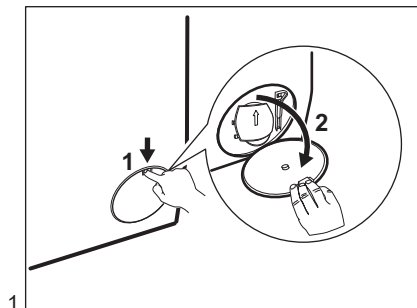
- de machine geen water wegpompt,
- de trommel niet ronddraait,
- het apparaat een ongebruikelijk geluid maakt door de blokkering van de afvoerpomp.
- Op het display verschijnt de alarmcode **E20**.

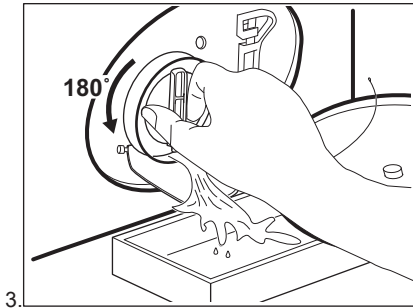
⚠ WAARSCHUWING!

- Haal de stekker uit het stopcontact.
- Verwijder het filter niet als het apparaat in werking is.
- Reinig de pomp niet zolang het water in de machine heet is. Wacht tot het water afgekoeld is.
- Herhaal stap 3 verschillende keren door de klep te openen en te sluiten totdat er geen water meer uitloopt.

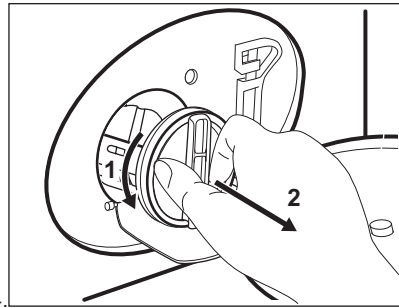
Houd altijd een oude doek bij de hand om het eventueel gemorste water te kunnen opvegen als je het filter verwijdert.

Ga te werk zoals beschreven in de volgende diagrammen om het pompfilter te reinigen:

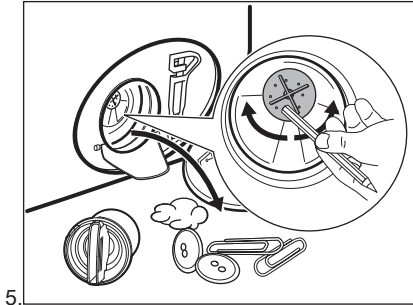




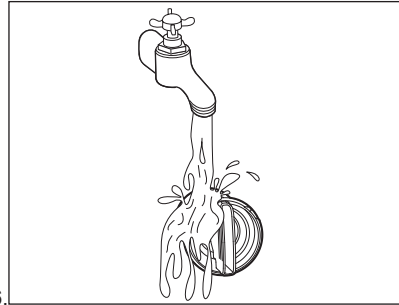
3.



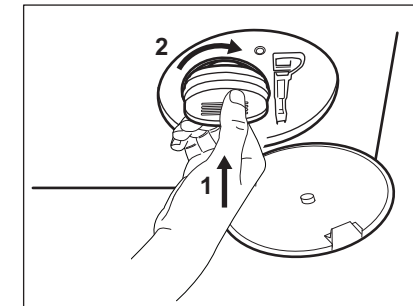
4.



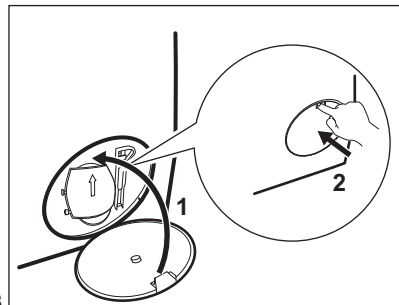
5.



6.



7.



8.

⚠ WAARSCHUWING!

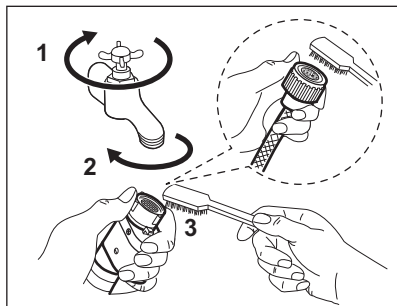
Controleer of de pompwaaier onbelemmerd kan ronddraaien. Als deze niet roteert, neem dan contact op met onze servicedienst. Zorg er ook voor dat u het filter goed vastdraait om lekkage te voorkomen.

11.10 De filter van de toevoerslang en de klepfilter reinigen

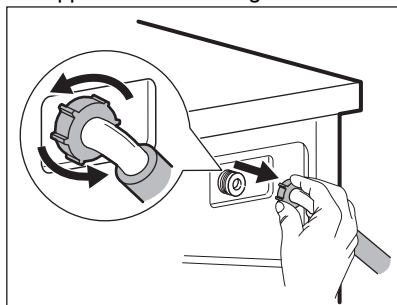
Het wordt aanbevolen om de filters van de inlaatslang en -klep twee keer per jaar te reinigen om eventuele afzettingen te

verwijderen die zich in de loop van de tijd hebben opgehoopt. Ga te werk zoals beschreven in de volgende diagrammen om filters te reinigen:

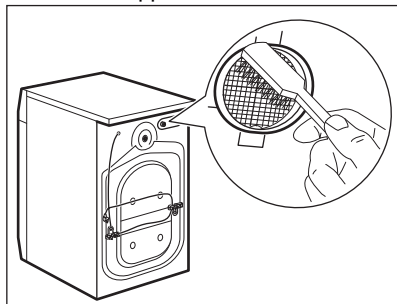
1. Verwijder de toevoerslang van de kraan en reinig het filter.



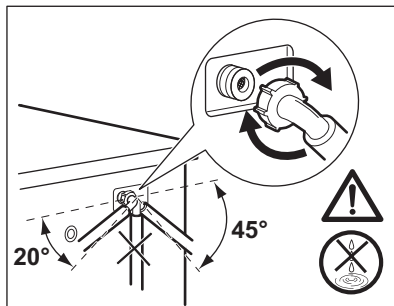
2. Verwijder de toevoerslang van het apparaat door de ringmoer los te draaien.



3. Reinig het klepfilter aan de achterzijde van het apparaat met een tandenborstel.



4. Draai de slang bij het weer aansluiten op het apparaat naar links of rechts (niet in verticale positie) afhankelijk van de positie van uw waterkraan.



11.11 Noodafvoer

Als het apparaat het water niet kan wegpompen, voert u dezelfde procedure uit zoals beschreven in de paragraaf 'Reinigen van de afvoerpomp'. Maak de pomp zo nodig schoon.

11.12 Voorzorgsmaatregelen bij vorst

Als het apparaat is geïnstalleerd op een plek waar de temperatuur 0°C of daaronder kan bereiken, dan dient u het resterende water uit de afvoerslang en de afvoerpomp te verwijderen.

1. Trek de stekker uit het stopcontact.
2. Draai de waterkraan dicht.
3. Plaats de twee uiteinden van de toevoerslang in een bak en laat het water uit de slang stromen.
4. Leeg de afvoerpomp. Raadpleeg de noodafvoerprocedure.
5. Als de afvoerpomp leeg is, installeert u de toevoerslang opnieuw.

! WAARSCHUWING!

Zorg ervoor dat de temperatuur hoger is dan 0°C voordat u het apparaat opnieuw gebruikt.

De fabrikant is niet verantwoordelijk voor schade die door lage temperaturen is veroorzaakt.

12. VERBRUIKSWAARDEN

12.1 Opmerking



De QR-code op het energielabel dat bij het apparaat wordt geleverd, biedt een internetkoppeling naar de informatie gerelateerd aan de prestaties van het apparaat in de EU-EPREL-database. Bewaar het energielabel ter referentie samen met de gebruikershandleiding en alle andere documenten die bij dit apparaat worden geleverd.

Het is ook mogelijk om dezelfde informatie in EPREL te vinden via de link <https://eprel.ec.europa.eu> en de modelnaam en het productnummer die je vindt op het typeplaatje van het apparaat.

Waarden en programmaduur kunnen verschillen afhankelijk van verschillende omstandigheden (bijv. kamertemperatuur, watertemperatuur en -druk, ladinggrootte en type wasgoed, voedingsspanning) en ook als je de standaardinstelling van een programma wijzigt.

In overeenstemming met Verordening van de Commissie (EU) 2019/2023

Eco 40-60 programma	kg	kWh	Liter	uu:mm	% 1)	°C	tpm ²⁾
Volledige belading	9	0.760	64	3:40	53	33	1351
Halve belading	4,5	0.440	47	2:45	53	27	1351
Kwartbelading	2,5	0.300	39	2:35	54	26	1351

1) Resterend vocht aan het einde van de centrifugeerfase. Hoe hoger de centrifugeersnelheid, hoe hoger het geluid en hoe lager het resterende vocht.

2) Maximale centrifugesnelheid.

Gebruikelijke programma's



Deze waarden zijn slechts indicatief.

Programma	kg	kWh	Liter	uu:mm	% 1)	°C	tpm ²⁾
Katoen - Coton ³⁾ 95 °C	9	2.75	85	4:00	52	85	1400
Katoen - Coton 60 °C	9	1.65	80	3:30	52	55	1400
Katoen - Coton ⁴⁾ 20 °C	9	0.35	80	3:00	52	20	1400

Programma	kg	kWh	Liter	uu:mm	% 1)	°C	tpm ²⁾
Synthetica - Synthétiques 40 °C	4	0.85	75	2:30	35	40	1200
Fijne was - Délicats ⁵⁾ 30 °C	2	0.35	60	1:25	35	30	1200
Wol/Zijde - Laine/Soie 30 °C	1,5	0.30	70	1:05	30	30	1200

1) Resterend vocht aan het einde van de centrifugeerfase. Hoe hoger de centrifugeersnelheid, hoe hoger het geluid en hoe lager het resterende vocht.

2) Referentie-indicator van de centrifugeersnelheid.

3) Geschikt voor het wassen van zwaar vervuild textiel.

4) Geschikt voor het wassen van licht vervuilde katoenen, synthetische en gemengde stoffen.

5) Het werkt ook als een snelle wascyclus voor licht vervuild wasgoed.

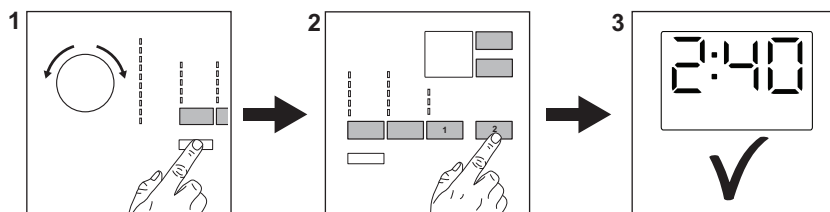
Stroomverbruik in verschillende modi

Uit (W)	Stand-by (W)	Uitgestelde start (W)
0.50	0.50	4.00

De tijd tot de Uit-/Stand-bymodus is maximaal 15 minuten.

13. SNELHANDLEIDING

13.1 Dagelijks gebruik



Steek de stekker in het stopcontact.

Open de waterkraan.

Beladen met wasgoed.

Plaats het wasmiddel en andere behandelmiddelen in de juiste vakken van het wasmiddeldoseerbakje.

1. Druk op de **Aan /Uit - Marche/Arrêt** -toets om het apparaat aan te zetten.

Draai de programmaknop om het gewenste wasprogramma in te stellen.

2. Stel de gewenste opties (1) in met de corresponderende tiptoetsen. Om het programma te starten, drukt u op de **Start/Pauze - Départ/Pause** -toets (2).

3. Het apparaat start.
Neem aan het einde van het programma het wasgoed eruit.

Druk op de **Aan /Uit - Marche/Arrêt** -toets om het apparaat uit te zetten.

13.2 Onderhoud en reiniging

Een planning voor periodiek reinigen helpt de levensduur van je apparaat te verlengen.

Houd na elke cyclus de deur en het wasmiddeldoseerbakje een beetje op een kier om luchtcirculatie te krijgen en de vochtigheid in het apparaat te drogen: dit voorkomt schimmels en geurtjes.

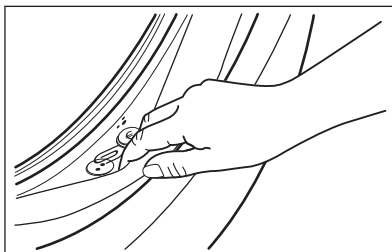
Als het apparaat lange tijd niet wordt gebruikt: sluit de waterkraan en trek de stekker uit het stopcontact.

Ontkalken	Twee keer per jaar
Onderhoudswas	Eenmaal ter maand
Deurafdichting reinigen	Iedere twee maanden
Trommel reinigen	Iedere twee maanden
Wasmiddeldoseerbakje reinigen	Iedere twee maanden
De filter van de afvoerpomp reinigen	Twee keer per jaar
De filter van de toevoerslang en de klepfilter reinigen	Twee keer per jaar

In de volgende paragrafen wordt uitgelegd hoe u bepaalde onderdelen reinigt.

Deurafdichting met val met dubbele lip

Dit apparaat is ontworpen met een **zelfreinigend afvoersysteem**, waardoor lichte pluisvezels die van de kleding vallen met het water kunnen worden afgevoerd. Controleer het deurrubber regelmatig en reinig het indien nodig zoals beschreven in het volgende diagram. Munten, knoppen en andere kleine voorwerpen kunnen aan het einde van de cyclus worden teruggevonden.



Maak schoon indien nodig met een ammoniakmiddel zonder het oppervlak van de afdichting te bekrassen.



Volg altijd de instructies die je op de verpakking van het product vindt. Controleer en verwijder voorwerpen (indien aanwezig) die in de vouw vast kunnen komen te zitten. Controleer of er geen wasgoed tussen het deurrubber en de deur is achtergebleven. Gebruik een vochtige doek om achtergebleven vuil of waterresten in het deurrubber weg te vegen nadat het programma is voltooid.

Vreemde voorwerpen verwijderen

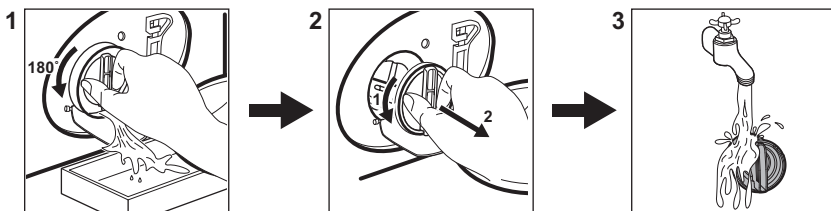


Zorg ervoor dat de zakken leeg zijn en dat alle losse elementen zijn vastgebonden voordat u uw wascyclus uitvoert.



Verwijder alle vreemde voorwerpen (zoals metalen clip, knoppen, munten, enz.) die u kunt vinden in de deurafdichting, de filters en de trommel. Neem indien nodig contact op met het erkende servicecentrum.

Het filter van de afvoerpomp reinigen

Reinig het filter regelmatig en in het bijzonder als de alarmcode **E20** op het display verschijnt.



13.3 Programma's

Programma's	Belading	Productbeschrijving
Eco 40-60 ¹⁾	9 kg	Wit en bont katoen. Normaal vervuilde kledingstukken.
Katoen - Coton	9 kg	Wit katoen en bont katoen.
Synthetica - Synthétiques	4 kg	Synthetische of gemengde stoffen..
Fijne was - Délicats	2 kg	Delicate stoffen zoals acryl, viscose en polyester.
Wol/Zijde - Laine/Soie 	1,5 kg	Machinewasbare wol, handwasbare wol en fijne was.
20 min. - 3 kg	3,5 kg	Katoenen en synthetische kledingstukken, licht vervuuld of slechts eenmaal gedragen.
Katoen - Coton 20°	9 kg	Gemengde stoffen. Katoen en synthetische stoffen.
Dekbed - Duvet	3 kg	Synthetische of met veren en dons gevulde dekens, gewatteerde kleding, dekbedden.
Anti-allergie 	9 kg	Witte katoenen kleding. Dit programma verwijdert meer dan 99,99% van alle bacteriën en virussen ²⁾ . Het zorgt ook voor een goede vermindering van allergenen.
Centrifugeren/Pompen - Essorage/Vidange	9 kg	Alle stoffen, behalve wol en zeer delicate stoffen. Programma voor centrifugeren en wegpompen van water.

Het lande van het apparaat tot de **maximale capaciteit die voor elk programma is aangegeven, helpt het energie- en waterverbruik verminderen**



1) Volgens Verordening (EU) 2019/2023 van de Com misse kan dit programma bij 40 °C normaal bevuild katoenen wasgoed dat wasbaar is verklaard bij 40 °C of 60 °C, samen in dezelfde cyclus reinigen.



Voor de bereikte temperatuur in het wasgoed, de duur van het programma en andere gegevens wordt verwezen naar het hoofdstuk 'Verbruikswaarden'.
De meest efficiënte programma's op het gebied van energieverbruik zijn over het algemeen programma's die presteren bij lagere temperaturen en een langere duur.

2) Getest op Staphylococcus aureus, Enterococcus faecium, Candida albicans, Pseudomonas aeruginosa en MS2 Bacteriofaag in externe test uitgevoerd door Swisstest Testmaterialien AG in 2021 (testrapport nr. 202120117).

Geschikte wasmiddelen voor wasprogramma's

Programma	Universeel poeder ¹⁾	Universele vloeistof (Liquid Universal)	Vloeistof voor gekleurde was	Fijne was en wol	Speciaal
Eco 40-60	▲	▲	▲	--	--
Katoen - Coton	▲	▲	▲	--	--
Synthetica - Synthétiques	▲	▲	▲	--	--
Fijne was - Délicats	--	--	--	▲	▲
Wol/Zijde - Laine/Soie 	--	--	--	▲	▲
20 min. - 3 kg	--	▲	▲	--	--
Katoen - Coton 20°	▲	▲	▲	--	--
Dekbed - Duvet	--	--	--	▲	▲
Anti-allergie 	▲	▲	▲	--	--

¹⁾ Bij een temperatuur hoger dan 60 °C wordt het gebruik van waspoeder aanbevolen.

-- = Niet aanbevolen ▲ = Aanbevolen

13.4 Type en hoeveelheid wasmiddel.

- Gebruik uitsluitend wasmiddelen en andere middelen die speciaal bedoeld zijn voor wasmachines. Volg eerst deze algemene regels:
 - waspoeder (ook tabletten en wasmiddelen met een enkele dosis) voor alle soorten stoffen, met uitzondering van delicate stoffen. Kies bij voorkeur voor waspoeder met bleekmiddel voor witte was en hygiënisch wassen,
 - vloeibare wasmiddelen (ook wasmiddelen voor eenmalig gebruik), bij voorkeur voor wasprogramma's op lage temperatuur (max. 60 °C) voor alle weefselsoorten of speciale middelen voor wollen artikelen.
- Meng geen verschillende soorten wasmiddelen.

- Gebruik minder wasmiddel als:
 - je een kleine lading wast,
 - het wasgoed licht vervuild is,
 - er grote hoeveelheden schuim zijn tijdens het wassen.
- Wanneer je wasmiddeltabs of -pods gebruikt, plaats deze dan altijd in de trommel, niet in het wasmiddeldoseerbakje en volg de aanbevelingen van de fabrikant op.

Onvoldoende wasmiddel kan leiden tot de volgende dingen:

- onbevredigende wasresultaten,
- het wasgoed dat grijs wordt,
- vette kleding,
- schimmel in het apparaat.

Overmatig wasmiddel kan leiden tot de volgende dingen:

- schuimen,
- verminderd waseffect,
- ontoereikend spoelen,
- een grotere impact op het milieu.

14. ALARMCODES EN MOGELIJKE STORINGEN

Het apparaat start niet of stopt tijdens de werking. Probeer eerst het probleem zelf op te lossen (zie tabellen).



WAARSCHUWING!

Voordat je controles uitvoert, moet je de stekker uit het stopcontact trekken.

Probleem	Mogelijke oplossing
E 10 Het apparaat wordt niet goed gevuld met water.	<ul style="list-style-type: none">• Controleer of de waterkraan geopend is.• Controleer of de druk van de watervoorziening niet te laag is. Neem voor deze informatie contact op met je plaatselijke waterleidingbedrijf.• Controleer of de waterkraan niet verstopt is.• Controleer of er geen knikken, beschadigingen of bochten in de watertoevoerslang aanwezig zijn.• Zorg ervoor dat de aansluiting van de watertoevoerslang correct is.• Zorg ervoor dat het filter van de toevoerslang en het filter van de klep niet verstopt zijn.
E20 de machine geen water weg-pompt,	<ul style="list-style-type: none">• Controleer of de gootsteenafvoer niet verstopt is.• Controleer of de afvoerslang geen knikken of bochten heeft.• Zorg ervoor dat het afvoerfilter niet verstopt is. Reinig het filter indien nodig.• Zorg ervoor dat de aansluiting van de afvoerslang correct is.• Stel het afvoerprogramma in als je een programma instelt zonder afvoerfase.• Stel het afvoerprogramma in als je een optie instelt die eindigt met water in de kuip.
E40 De deur is open of niet goed gesloten.	<ul style="list-style-type: none">• Controleer of de deur goed gesloten is.
E91 Interne fout. Geen communicatie tussen de elektronische elementen van het apparaat.	<ul style="list-style-type: none">• Het programma werd niet juist voltooid of het apparaat is te vroeg gestopt. Schakel het apparaat uit en weer aan.• Als de alarmcode weer wordt weergegeven, neem je contact op met een erkende servicedienst.
EKO De stroomtoevoer is niet stabiel.	<ul style="list-style-type: none">• Wacht totdat de stroomtoevoer stabiel is.
EFO De anti-overstromingsbeveiliging is ingeschakeld.	<ul style="list-style-type: none">• Koppel het apparaat los en draai de waterkraan dicht. Neem contact op met de erkende servicedienst.
Als het probleem aanhoudt, neemt dan contact op met een erkende servicedienst. De contactgegevens van de servicedienst staan op het typeplaatje	
*Sommige alarmcodes treden mogelijk niet op. Onderhevig aan wijziging zonder kennisgeving.	

15. MILIEUBESCHERMING

Recycleer de materialen met het symbool .
Gooi de verpakking in een geschikte afvalcontainer om het te recycleren.
Bescherm het milieu en de volksgezondheid en recycleer op een correcte manier het afval van elektrische en elektronische apparaten.

Gooi apparaten gemarkeerd met het symbool  niet weg met het huishoudelijk afval.
Breng het product naar het milieustation bij u in de buurt of neem contact op met de gemeente.

Bienvenue chez AEG ! Nous vous remercions d'avoir choisi l'un de nos appareils.



Dans un souci de durabilité, nous réduisons les supports papier et proposons les manuels d'utilisation complets en ligne. Accédez à votre manuel d'utilisation complet sur aeg.com/manuals



Obtenir des conseils d'utilisation, des brochures, des dépannages, des informations sur le service et les réparations sur aeg.com/support



Achetez des accessoires, des consommables et des pièces de rechange d'origine pour votre appareil sur aeg.com/shop

Sous réserve de modifications.

TABLE DES MATIÈRES

1. INFORMATIONS DE SÉCURITÉ.....	66
2. CONSIGNES DE SÉCURITÉ.....	68
3. DESCRIPTION DU PRODUIT	71
4. CARACTÉRISTIQUES TECHNIQUES	72
5. INSTALLATION	72
6. BANDEAU DE COMMANDE	76
7. MANETTES ET TOUCHES	77
8. PROGRAMMES	79
9. CONFIGURATIONS	82
10. UTILISATION QUOTIDIENNE	84
11. ENTRETIEN ET NETTOYAGE	87
12. VALEURS DE CONSOMMATION	92
13. GUIDE D'UTILISATION RAPIDE	94
14. CODES D'ALARME ET DÉFAILLANCES POSSIBLES.....	97
15. EN MATIÈRE DE PROTECTION DE L'ENVIRONNEMENT.....	98

1. ⚠ INFORMATIONS DE SÉCURITÉ



Avant de commencer à installer et à utiliser cet appareil, lisez soigneusement les instructions fournies.

Le fabricant ne pourra pas être tenu responsable des blessures et dégâts résultant d'une mauvaise installation ou utilisation. Conservez toujours les instructions dans un lieu sûr et accessible pour vous y référer ultérieurement.

1.1 Sécurité des enfants et des personnes vulnérables

- Cet appareil peut être utilisé par des enfants âgés d'au moins 8 ans et par des personnes ayant des capacités physiques, sensorielles ou mentales réduites ou dénuées d'expérience ou de connaissance, s'ils sont correctement surveillés ou si des instructions relatives à l'utilisation de l'appareil en toute sécurité leur ont été données et s'ils comprennent les risques encourus.
- Les enfants entre 3 et 8 ans et les personnes ayant un handicap très important et complexe doivent être tenus à l'écart de l'appareil, à moins d'être surveillés en permanence.
- Les enfants de moins de 3 ans doivent être tenus à l'écart de l'appareil, à moins d'être surveillés en permanence.
- Veillez à ce que les enfants ne jouent pas avec l'appareil.
- Ne laissez pas les emballages à la portée des enfants et jetez-les convenablement.
- Ne laissez pas les détergents à la portée des enfants.
- Tenez les enfants et les animaux éloignés de l'appareil lorsque la porte est ouverte.
- Si l'appareil est équipé d'un dispositif de sécurité enfants, nous vous recommandons de l'activer.
- Le nettoyage et l'entretien par l'utilisateur ne doivent pas être effectués par des enfants sans surveillance.

1.2 Sécurité générale

- Cet appareil est destiné au lavage du linge domestique, lavable en machine uniquement.
- Cet appareil est conçu pour un usage domestique ménager, dans un environnement intérieur.
- Cet appareil peut être utilisé dans les bureaux, les chambres d'hôtel, les chambres d'hôtes, les gîtes ruraux et d'autres hébergements similaires lorsque cette utilisation ne dépasse pas le niveau (moyen) de l'utilisation domestique.
- Ne modifiez pas les spécifications de cet appareil.

- La charge maximale de l'appareil est de 9 kg. Ne dépassez pas la charge maximale de chaque programme (reportez-vous au chapitre « Programmes »).
- La pression de l'eau en service au niveau du point d'entrée en provenance de l'arrivée d'eau doit être comprise entre 0,5 bar (0,05 MPa) et 8 bar (0,8 MPa).
- Les orifices d'aération situés à la base ne doivent pas être obstrués par de la moquette, un tapis, ou tout type de revêtement de sol.
- L'appareil doit être raccordé à l'arrivée d'eau à l'aide des tuyaux neufs fournis, ou d'autres tuyaux neufs fournis par le service après-vente agréé.
- Les anciens ensembles de tuyaux ne doivent pas être réutilisés.
- Si le câble d'alimentation secteur est endommagé, son remplacement doit être confié exclusivement au fabricant, à son service après-vente ou à toute autre personne qualifiée afin d'éviter tout danger électrique.
- Avant toute opération d'entretien, mettez l'appareil à l'arrêt et débranchez-le de l'alimentation électrique.
- Ne pulvérisez pas d'eau ni de vapeur à haute pression pour nettoyer l'appareil.
- Nettoyez l'appareil avec un chiffon humide. Utilisez uniquement des produits de lavage neutres. N'utilisez pas de produits abrasifs, de tampons à récurer, de solvants ou d'objets métalliques.

2. CONSIGNES DE SÉCURITÉ

2.1 Instructions d'installation



L'installation doit être conforme aux réglementations nationales en vigueur.

- Retirez l'intégralité de l'emballage et les boulons de transport, y compris le joint en caoutchouc et l'entretoise en plastique.
- Conservez les boulons de transport en lieu sûr. Si l'appareil doit être de nouveau

déplacé, les boulons doivent être réutilisés pour maintenir le tambour en place et éviter tout dégât interne.

- Soyez toujours vigilants lorsque vous déplacez l'appareil car il est lourd. Utilisez toujours des gants de sécurité et des chaussures fermées.
- Suivez scrupuleusement les instructions d'installation fournies avec l'appareil.
- N'installez pas et ne branchez pas un appareil endommagé.

- N'installez pas l'appareil ou ne l'utilisez pas dans un endroit où la température ambiante est inférieure à 0 °C ou dans un endroit exposé aux intempéries.
- L'appareil doit être installé sur un sol plat, stable, résistant à la chaleur et propre.
- Assurez-vous que de l'air circule entre l'appareil et le sol.
- Une fois l'appareil installé à son emplacement permanent, vérifiez qu'il est bien de niveau à l'aide d'un niveau à bulle. S'il n'est pas de niveau, réglez les pieds jusqu'à ce qu'il le soit.
- N'installez pas l'appareil directement au-dessus d'une évacuation dans le sol.
- Ne vaporisez pas d'eau sur l'appareil et ne l'exposez pas à une humidité excessive.
- N'installez pas l'appareil dans un endroit où il ne pourrait pas être complètement ouvert.
- Ne placez aucun récipient fermé sous l'appareil pour récupérer tout éventuel écoulement. Contactez le service après-vente agréé pour connaître les accessoires disponibles.

2.2 Branchement électrique



AVERTISSEMENT!

Risque d'incendie ou d'électrocution.

- **AVERTISSEMENT** : Cet appareil est conçu pour être installé/connecté à une connexion de mise à la terre dans le bâtiment.
- Utilisez toujours une prise de courant de sécurité correctement installée.
- Assurez-vous que les paramètres figurant sur la plaque signalétique correspondent aux données électriques nominale de l'alimentation secteur.
- N'utilisez pas d'adaptateurs multiprise et de rallonges.
- Veillez à ne pas endommager la fiche secteur ni le câble d'alimentation. Le remplacement du câble d'alimentation de l'appareil doit être effectué par notre service après-vente agréé.
- Ne branchez la fiche secteur dans la prise secteur qu'à la fin de l'installation. Assurez-vous que la prise secteur est accessible après l'installation.

- Ne touchez jamais le câble d'alimentation ni la fiche avec des mains mouillées.
- Ne tirez pas sur le câble secteur pour débrancher l'appareil. Tirez toujours sur la fiche de la prise secteur.

2.3 Raccordement à l'arrivée d'eau

- L'arrivée d'eau ne doit pas dépasser 25 °C.
- Veillez à ne pas endommager les tuyaux de circulation d'eau.
- Avant d'installer des tuyaux neufs, des tuyaux n'ayant pas servi depuis longtemps, lorsqu'une réparation a été effectuée ou qu'un nouveau dispositif a été installé (compteurs d'eau, etc.), laissez l'eau s'écouler jusqu'à ce qu'elle soit parfaitement propre et claire.
- Pendant et après la première utilisation de l'appareil, vérifiez qu'aucune fuite n'est visible.
- N'utilisez pas de rallonge si les tuyaux d'arrivée d'eau sont trop courts. Contactez le service après-vente agréé pour remplacer le tuyau d'alimentation.
- Lors du déballage de l'appareil, il est possible de voir de l'eau s'écouler du tuyau d'évacuation. Cette eau provient des tests effectués sur l'appareil en usine.
- Vous pouvez rallonger le tuyau de vidange jusqu'à 400 cm maximum. Contactez le service après-vente agréé pour l'autre tuyau de vidange et l'extension.
- Assurez-vous que le robinet est accessible une fois l'appareil installé.

2.4 Utilisation



AVERTISSEMENT!

Risque de blessure, de choc électrique, d'incendie, de brûlures ou de dommage matériel à l'appareil.

- Suivez les consignes de sécurité figurant sur l'emballage du produit de lavage.
- Ne placez pas de produits inflammables ou d'éléments imbibés de produits inflammables à l'intérieur, à proximité ou au-dessus de l'appareil.
- Ne lavez pas les textiles très tachés par de l'huile, de la graisse ou une autre substance grasse. Cela peut endommager les pièces en caoutchouc de l'appareil.

Prélevez de tels articles à la main avant de les introduire dans l'appareil.

- N'utilisez pas de parfums de lessive pour éviter d'endommager les pièces en plastique et en caoutchouc de l'appareil.
- Ne touchez pas la vitre du hublot pendant le déroulement d'un programme. La vitre peut être très chaude.
- Veillez à retirer tout objet métallique du linge.

2.5 Service

- Pour réparer l'appareil, contactez le service après-vente agréé. Utilisez uniquement des pièces de rechange d'origine.
- Veuillez noter qu'une autoréparation ou une réparation non professionnelle peuvent avoir des conséquences sur la sécurité et annuler la garantie.
- Les pièces de rechange suivantes sont disponibles pendant au moins 10 ans après l'arrêt du modèle : moteur et balais de moteur, transmission entre le moteur et le tambour, pompes, amortisseurs et ressorts, tambour de lavage, support de tambour et roulements à billes correspondants, résistances, dont thermopompes, canalisations et équipements correspondants dont tuyaux, valves, filtres et électrovannes (aquastops), cartes de circuits imprimés, affichages électroniques, pressostats, thermostats et capteurs, logiciel et firmware dont logiciel de réinitialisation, porte, charnière et joints de porte, autres joints, ensemble de verrouillage de porte, périphériques en plastique tels que distributeurs de détergent. La durée peut

être plus longue dans certains pays. Pour plus d'informations, rendez-vous sur notre site Internet.

- Veuillez noter que certaines de ces pièces détachées ne sont disponibles qu'auprès de réparateurs professionnels et que toutes les pièces détachées ne sont pas adaptées à tous les modèles.
- Concernant la/les lampe(s) à l'intérieur de ce produit et les lampes de rechange vendues séparément : Ces lampes sont conçues pour résister à des conditions physiques extrêmes dans les appareils électroménagers, telles que la température, les vibrations, l'humidité, ou sont conçues pour signaler des informations sur le statut opérationnel de l'appareil. Elles ne sont pas destinées à être utilisées dans d'autres applications et ne conviennent pas à l'éclairage des pièces d'un logement.

2.6 Mise au rebut

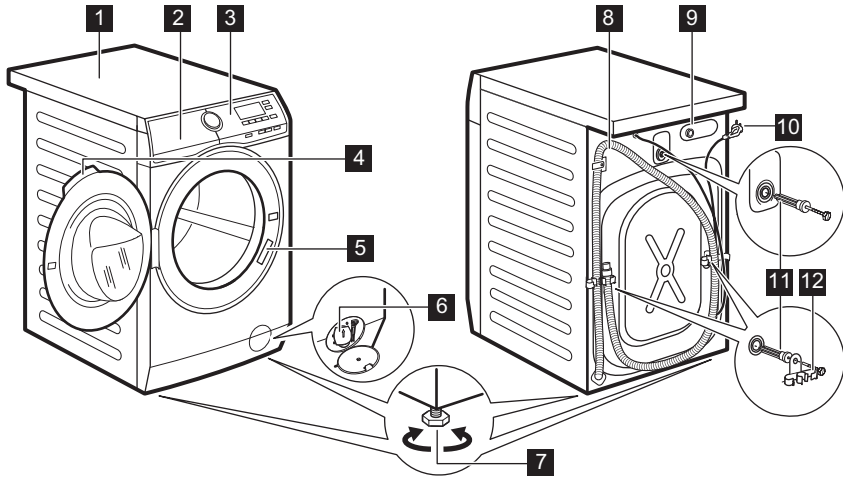
AVERTISSEMENT!

Risque de blessure ou d'asphyxie.

- Débranchez l'appareil de l'alimentation électrique et de l'arrivée d'eau.
- Coupez le câble d'alimentation au ras de l'appareil et mettez-le au rebut.
- Retirez le dispositif de verrouillage du hublot pour empêcher les enfants et les animaux de s'enfermer dans le tambour.
- Jetez l'appareil en vous conformant aux exigences locales relatives à la mise au rebut des Déchets d'équipements électriques et électroniques (DEEE).

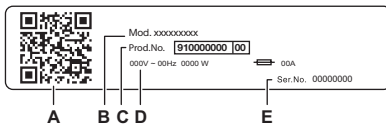
3. DESCRIPTION DU PRODUIT

3.1 Vue d'ensemble de l'appareil



- 1 Plan de travail
- 2 Distributeur de produit de lavage
- 3 Bandeau de commande
- 4 Poignée d'ouverture du hublot
- 5 Plaque signalétique
- 6 Filtre de la pompe de vidange
- 7 Pieds pour la mise de niveau de l'appareil

- 8 Flexible de vidange
- 9 Raccordement du tuyau d'arrivée d'eau
- 10 Câble d'alimentation
- 11 Boulons de transport
- 12 Support du tuyau



La plaque signalétique indique :

- A. CODE QR
- B. Nom du modèle
- C. Numéro de produit
- D. Valeurs nominales électriques
- E. Numéro de série

Scannez le **code QR** qui se trouve sur l'appareil pour enregistrer votre produit et en tirer le meilleur parti.

- Accédez à des informations sur votre appareil, à des documents et à des articles sur la façon d'utiliser ses meilleures fonctions (le manuel de l'utilisateur est également disponible sur aeg.com/manuals)
- Obtenez des conseils d'utilisation, des informations de dépannage, d'entretien et de réparation (également disponibles sur aeg.com/support)
- Achetez des accessoires, des consommables et des pièces de rechange d'origine pour votre appareil (également disponibles sur aeg.com/shop).

4. CARACTÉRISTIQUES TECHNIQUES

Dimensions	Largeur / Hauteur / Profondeur totale	59.7 cm /84.7 cm /66.0 cm
Branchement électrique	Tension	230 V
	Puissance totale	2100 W
	Fusible	10 A
	Fréquence	50 Hz
Niveau de protection contre l'infiltration de particules solides et d'humidité assuré par le couvercle de protection, excepté là où l'équipement basse tension ne dispose d'aucune protection contre l'humidité		IPX4
Pression de l'arrivée d'eau	Minimum	0,5 bar (0,05 MPa)
	Maximum	8 bar (0,8 MPa)
Arrivée d'eau ¹⁾		Eau froide
Charge maximale	Coton	9 kg

1) Raccordez le tuyau d'arrivée d'eau à un robinet fileté 3/4" .

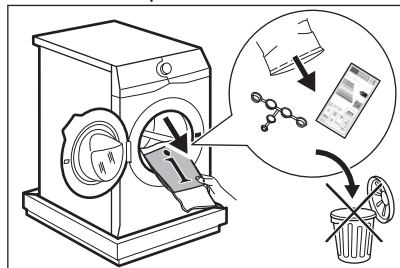
5. INSTALLATION

AVERTISSEMENT!

Reportez-vous aux chapitres concernant la sécurité.

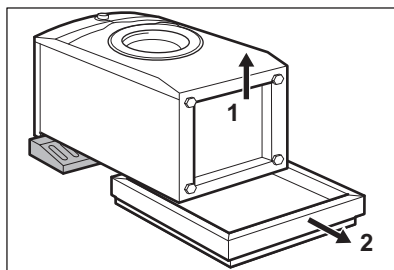
5.1 Déballage

1. Ouvrez la porte. Videz le tambour.



Les accessoires fournis avec l'appareil peuvent varier selon le modèle.

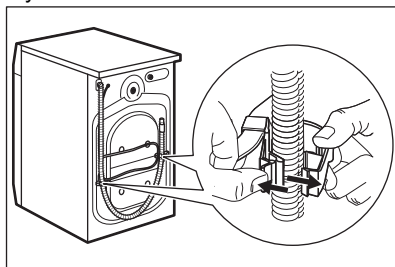
2. Mettez les éléments d'emballage au sol derrière l'appareil et posez-le délicatement sur sa partie arrière. Retirez la protection du bas.



ATTENTION!

Ne posez pas le lave-linge sur sa partie avant.

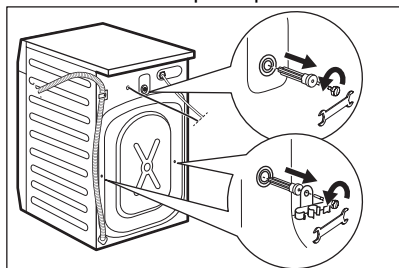
3. Redressez l'appareil en position verticale. Retirez le câble d'alimentation électrique et le tuyau de vidange du support de tuyau.



⚠ AVERTISSEMENT!

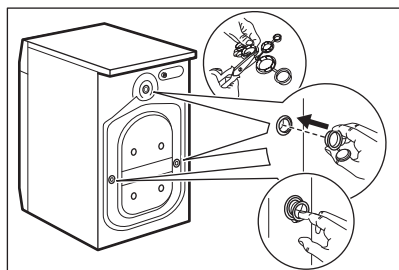
Il est possible de voir de l'eau s'écouler du tuyau d'évacuation. Il s'agit d'un résidu d'eau provenant du test du lave-linge en usine.

4. Dévissez les trois boulons à l'aide de la clé fournie avec l'appareil. Retirez les entretoises en plastique.



Nous vous recommandons de conserver l'emballage et les boulons de transport en vue d'un éventuel déplacement de l'appareil.

5. Placez les caches en plastique, fournis dans le sachet de la notice d'utilisation, dans les trous.



5.2 Informations pour l'installation

Positionnement et mise à niveau

Positionnez correctement l'appareil pour éviter les vibrations, le bruit et les mouvements de l'appareil lorsqu'il fonctionne.

1. Installez l'appareil sur un sol plat et dur. L'appareil doit être stable et d'aplomb. Veillez à ce que l'appareil ne soit pas en contact avec le mur ou avec d'autres appareils, et que l'air circule sous l'appareil.
2. Desserrez ou serrez les pieds pour régler le niveau. Tous les pieds doivent être fermement posés sur le sol.

⚠ AVERTISSEMENT!

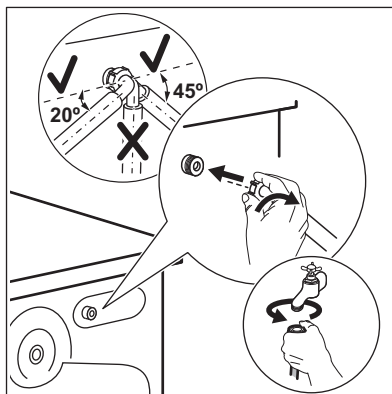
Ne placez pas de carton, de bois ou de matériau équivalent sous les pieds de l'appareil pour régler le niveau.

Tuyau d'arrivée d'eau

⚠ ATTENTION!

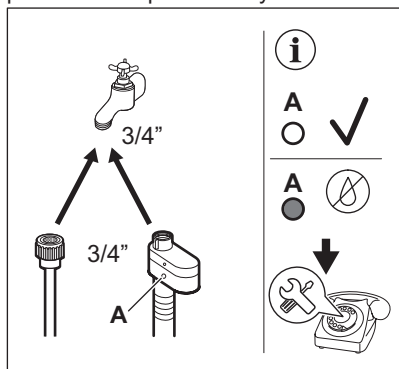
Vérifiez que les tuyaux ne sont pas endommagés et que les raccords ne fuient pas. N'utilisez pas de rallonge si les tuyaux d'arrivée d'eau sont trop courts. Contactez le centre de maintenance pour obtenir des informations sur le remplacement du tuyau d'arrivée d'eau.

1. Si besoin, raccordez le tuyau d'arrivée d'eau à l'arrière de l'appareil. Généralement, il est déjà installé en usine.



2. Placez-le vers la droite ou la gauche, en fonction de la position de votre robinet d'eau. Assurez-vous que le tuyau d'arrivée d'eau n'est pas en position verticale.
3. Si nécessaire, desserrez la bague de serrage pour bien le positionner.

- Raccordez le tuyau d'arrivée d'eau à un robinet d'eau froide fileté (3/4 pouce).
- Certains modèles peuvent contenir un tuyau d'entrée avec dispositif d'arrêt de l'eau. Il permet d'empêcher toute fuite dans le tuyau en raison de son vieillissement naturel. Le secteur dans la fenêtre affiche ce défaut **A**. Dans ce cas, fermez le robinet d'arrivée de l'eau et contactez le service après-vente agréé pour faire remplacer le tuyau.



⚠ AVERTISSEMENT!

L'arrivée d'eau ne doit pas dépasser 25 °C.

Vidange de l'eau

Le tuyau de vidange doit être installé à une hauteur du sol comprise entre 60 et 100 cm.



Vous pouvez rallonger le tuyau de vidange jusqu'à 400 cm maximum. Contactez le centre de maintenance agréé pour acheter l'autre tuyau de vidange et l'extension.

Veillez à ce que le tuyau de vidange fasse une boucle afin d'éviter que des particules passent de l'évier à l'appareil.

Raccordez le tuyau de vidange au siphon et serrez-le avec une attache. Veillez à ce que le tuyau de vidange fasse une boucle afin d'éviter que des particules passent de l'évier à l'appareil.

Placez le tuyau directement dans un tuyau de vidange murale intégrée et serrez-le avec une attache.

Sans le guide de tuyau en plastique, vers un siphon d'évier - Placez le tuyau de vidange dans le siphon et fixez-le avec une attache.

Le tuyau de vidange peut être plié en U et placé autour du guide en plastique. Sur le bord d'un évier : attachez le guide au robinet d'eau ou au mur.



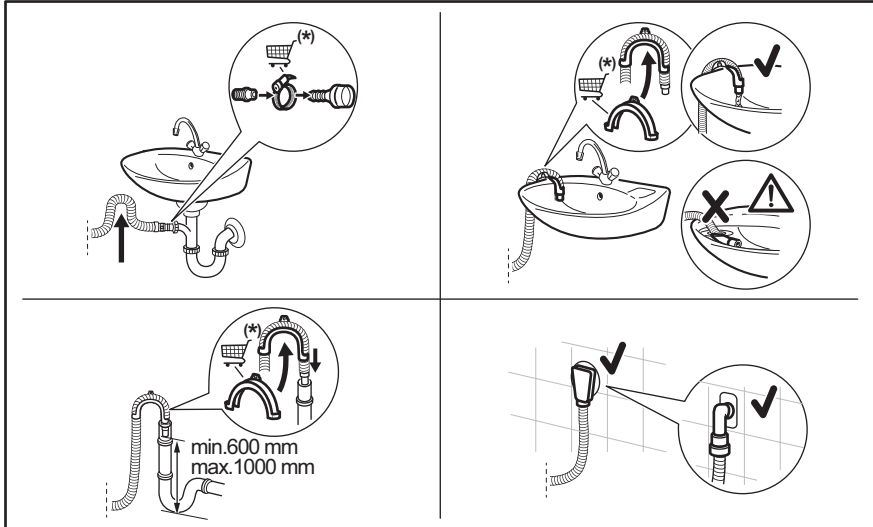
Veillez à ce que le guide de tuyau en plastique ne puisse pas se déplacer lors de la vidange de l'appareil, et que l'extrémité du tuyau de vidange ne soit pas immergée dans l'eau. Il pourrait y avoir un reflux d'eau sale dans l'appareil. Acheter des accessoires auprès d'un fournisseur agréé.

À une conduite fixe dotée d'une ventilation spéciale : insérez directement le tuyau dans le tuyau de vidange ou une conduite fixe



L'extrémité du tuyau de vidange doit être ventilée en permanence, c'est-à-dire que le diamètre interne du conduit d'évacuation (minimum 38 mm - min. 1,5 po) doit être supérieur au diamètre externe du tuyau de vidange.

Il est possible de raccorder le tuyau de vidange de différentes façons :



(*) Sujet à modification sans préavis.

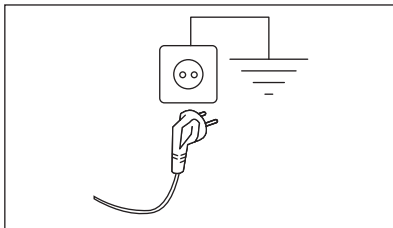
5.3 Branchement électrique

À la fin de l'installation, vous pourrez brancher la fiche d'alimentation à la prise de courant.

La plaque signalétique et le chapitre « Données techniques » indiquent les valeurs électriques nominales nécessaires. Assurez-vous qu'elles sont compatibles avec l'alimentation secteur.

Vérifiez que votre installation électrique domestique supporte la charge maximale requise, en tenant également compte des autres appareils qui peuvent être utilisés.

Branchez l'appareil à une prise de courant avec mise à la terre.



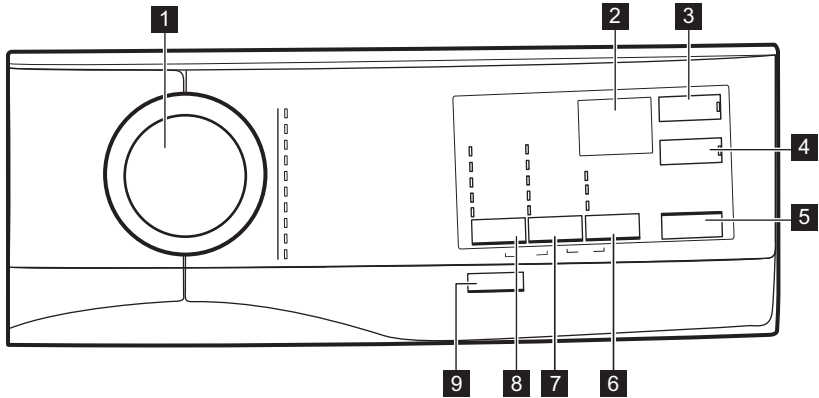
Une fois l'appareil installé, assurez-vous que le câble d'alimentation est facilement accessible.




Si une intervention électrique est nécessaire pour installer cet appareil, contactez notre service après-vente agréé.

Le fabricant décline toute responsabilité en cas de dommages ou blessure résultant du non-respect des consignes de sécurité mentionnées ci-dessus.

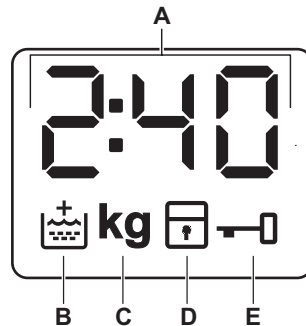
6. BANDEAU DE COMMANDE


6.1 Description du bandeau de commande






- 1 Sélecteur de programme
- 2 Affichage
- 3 Touche Startuitstel - Départ Différé
- 4 Touche Tijd besparen - Gain de temps
- 5 Touche Start/Pauze - Départ/Pause
- 6 Extra Touche tactile
 - Vlekken - Taches Option
 - Voorwas - Prélavage Option
 - Option Rinçage uniquement 
- 7 Touche d'options Centrifuger en - Essorage
 - Sans essorage Option 
 - Option Arrêt cuve pleine 
- 8 Touche Temp.
- 9 Touche Aan /Uit - Marche/Arrêt

6.2 Affichage



- A.  L'indicateur numérique peut afficher :
- Durée du programme (par ex. 2:40).
 - Départ différé (par ex. 2h).
 - Fin du cycle (000).
 - Code d'alarme (par ex. E20).
 - Indication des heures de fonctionnement totales de l'appareil.
- Pour plus de détails, reportez-vous au chapitre « Compteur d'heures de fonctionnement » du paragraphe « Réglages ».

- B.  Voyant Rinçage plus. S'allume lorsque cette option est sélectionnée.
- C. **kg** Ce voyant clignote durant la détection de la charge de linge.

- D.  Voyant Sécurité enfants.
- E.  Voyant porte verrouillée.

7. MANETTES ET TOUCHES

7.1 Aan /Uit - Marche/Arrêt

Appuyez sur cette touche pendant quelques secondes pour allumer et éteindre l'appareil. Deux signaux sonores différents retentissent lorsque vous mettez en fonctionnement ou à l'arrêt l'appareil.

La fonction Veille met à l'arrêt automatiquement l'appareil pour réduire la consommation d'énergie. Par conséquent, dans certains cas, il se peut que vous deviez le mettre de nouveau en fonctionnement.



Le programme sélectionné par défaut, à la mise sous tension de la machine, est toujours le programme Eco 40-60.

Pour des précisions, reportez-vous au paragraphe « Veille » du chapitre « Utilisation quotidienne ».

7.2 Introduction




Les options/fonctions ne sont pas compatibles avec tous les programmes de lavage. Vérifiez la compatibilité entre les options/fonctions et les programmes de lavage dans le « Tableau des programmes ». Une option/fonction peut en exclure une autre. Dans ce cas, l'appareil ne vous permet pas de sélectionner les options/fonctions incompatibles.

Veillez à ce que l'écran et les touches soient toujours propres et secs.

7.3 Temp.

Lorsque vous sélectionnez un programme de lavage, l'appareil propose automatiquement une température par défaut.


Sélectionnez cette option pour modifier la température par défaut.

Le voyant  = eau froide de la température sélectionnée s'affiche (l'appareil ne chauffe pas l'eau).

7.4 Centrifugeren - Essorage

Lorsque vous sélectionnez un programme, l'appareil règle automatiquement la vitesse d'essorage maximale permise.

Appuyez à plusieurs reprises sur cette touche pour :

Activez Arrêt cuve pleine  cuve pleine

- Sélectionnez cette option pour éviter que le linge ne se froisse.
- Le voyant correspondant apparaît.
- Il y a de l'eau dans le tambour lorsque le programme est terminé.
- Le hublot reste fermé et le tambour tourne régulièrement pour éviter que le linge ne se froisse.
- Vous devez vidanger l'eau pour déverrouiller la porte.
- Si vous appuyez sur la Start/Pauze - Départ/Pauze touche, l'appareil effectue une phase d'essorage et vidange l'eau.



L'appareil vidange l'eau automatiquement au bout d'environ 18 heures.

Activez Sans essorage  essorage

- Sélectionnez cette option pour éliminer toutes les phases d'essorage. Seule la phase de vidange est disponible.
- Le voyant correspondant apparaît.
- Sélectionnez cette option pour les tissus très délicats.

- Certains programmes de lavage utilisent une quantité d'eau plus importante lors de la phase de rinçage.




La vitesse d'essorage peut être réduite.

7.5 Extra

Appuyez à plusieurs reprises sur cette touche pour activer une des options disponibles.

• **Vlekken - Taches**

Sélectionnez cette option pour ajouter une phase anti-taches à un programme afin de traiter le linge très sale ou taché avec un détachant.

Versez le détachant dans le  compartiment. Le détachant sera ajouté dans la phase prévue du programme de lavage.



Cette option peut rallonger la durée du programme.



Cette option n'est pas disponible avec des températures de lavage inférieures à 40 °C.

• **Voorwas - Prélavage**

Utilisez cette option pour ajouter une phase de prélavage à 30 °C avant la phase de lavage.

Cette option est recommandée pour le linge très sale, tout particulièrement s'il contient du sable, de la poussière, de la boue ou d'autres particules solides.



Cette option peut rallonger la durée du programme.

• **Rinçage uniquement**

L'appareil effectue uniquement les phases de rinçage, d'essorage et de vidange du programme sélectionné.

Le voyant correspondant s'allume.

7.6 Startuitstel - Départ Différé

Cette option vous permet de différer le départ du programme à un moment qui vous convient mieux.

Appuyez à plusieurs reprises sur la touche pour sélectionner le délai souhaité. Le temps augmente par paliers de 30 minutes jusqu'à 90 minutes, puis de 2 heures à 20 heures.

L'indicateur de cette option et l'indicateur de la valeur réglée s'allument. Après avoir appuyé sur la touche Start/Pause - Départ/Pause, l'appareil commence le décompte.

7.7 Tijd besparen - Gain de temps

Cette option peut être conseillée pour raccourcir le programme de lavage.

Utilisez cette option pour le linge légèrement ou normalement sale, ou à rafraîchir.

Appuyez **une fois** sur cette touche pour diminuer la durée.

Si la charge est petite, appuyez **deux fois** sur cette touche pour sélectionner un programme extra court.

L'indicateur de cette option et l'indicateur de la valeur réglée s'allument.




7.8 Start/Pauze - Départ/Pause

Appuyez sur la touche Start/Pauze - Départ/Pause pour démarrer l'appareil, le mettre en pause ou interrompre un programme en cours.

8. PROGRAMMES

8.1 Tableau des programmes

Programmes de lavage



Programme	Description du programme
Programmes de lavage	
Eco 40-60	Coton blanc et coton grand teint. Articles normalement sales. La consommation d'énergie diminue et la durée du programme de lavage est prolongée, pour garantir de bons résultats de lavage.
Katoen - Coton	Coton blanc et couleur articles en coton très sales ou normalement sales.
Synthetic - Synthétiques	Articles en textiles synthétiques ou mélangés. Articles normalement sales.
Fijne was - Délicats	Textiles délicats tels que l'acrylique, la viscose et les tissus mélangés nécessitant un lavage en douceur. Vêtements normalement et légèrement sales.
Wol/Zijde - Laine/Soie  	Lainages lavables en machine, laine lavable à la main et autres textiles portant le symbole « Lavage à la main » ¹⁾ .
20 min. - 3 kg	Articles en coton et synthétiques légèrement sales ou portés une seule fois.
Katoen - Coton 20°	Textiles mélangés (articles en coton et synthétiques). ²⁾
Dekbed - Duvet	Une couverture synthétique, des vêtements rembourrés, des couettes, des vestes et des articles similaires.
Anti-allergie 	Articles en coton blanc. Ce programme de lavage haute performance avec phase vapeur élimine plus de 99,99 % des bactéries et des virus ³⁾ en conservant la température au-dessus de 60 °C pendant toute la phase de lavage. Grâce à l'action complémentaire de la vapeur sur les fibres, la phase de rinçage améliorée garantit l'élimination totale des détergents et résidus de micro-organismes. Ce programme garantit également une réduction efficace des pollens et autres allergènes.
Centrifuger/Pompen - Essorage/Vidange	Tous textiles, excepté la laine et les tissus délicats. Pour essorer le linge et vidanger l'eau dans le tambour.

¹⁾ Pendant ce cycle, le tambour tourne doucement pour garantir un lavage en douceur. Le tambour peut donner l'impression de ne pas tourner ou de ne pas tourner correctement, mais ce fonctionnement est normal pour ce programme.

²⁾ Ce programme est idéal pour une utilisation quotidienne car sa consommation d'eau et d'énergie est plus basse tout en maintenant de bonnes performances de lavage.

³⁾ Testé pour le staphylocoque doré, les enterococcus faecium, le candida albicans, le bacille pyocyanique et les bactériophages MS-2 par l'institut indépendant Swissatest Testmaterialien AG en 2021 (Rapport de test n° 202120117).

Programmer la température, la vitesse de rotation maximale et la charge maximale

Programme	Température par défaut Plage de températures	Vitesse d'essorage de référence Plage de vitesses d'essorage	Charge maximale
Programmes de lavage			
Eco 40-60	40 °C 1)	1400 tr/min 1400 tr/min - 800 tr/min	9 kg
Katoen - Coton	40 °C 95 °C - ✖ (Froid)	1400 tr/min 1400 tr/min - 800 tr/min	9 kg
Synthetica - Synthétiques	30 °C 60 °C - ✖ (Froid)	1200 tr/min 1200 tr/min - 800 tr/min	4 kg
Fijne was - Délicats	30 °C 40 °C - ✖ (Froid)	1200 tr/min 1200 tr/min - 800 tr/min	2 kg
Wol/Zijde - Laine/Soie 	40 °C 40 °C - ✖ (Froid)	1200 tr/min 1200 tr/min - 800 tr/min	1,5 kg
20 min. - 3 kg	30 °C 40 °C - 30 °C	1200 tr/min 1200 tr/min - 800 tr/min	3,5 kg
Katoen - Coton 20°	✖ (Froid)	1400 tr/min 1400 tr/min - 800 tr/min	9 kg
Dekbed - Duvet	40 °C 60 °C - ✖ (Froid)	800 tr/min 800 tr/min - 800 tr/min	3 kg
Anti-allergie 	60 °C	1400 tr/min 1400 tr/min - 800 tr/min	9 kg
Centrifugeren/Pompen - Essorage/ Vidange 2)	-	1400 tr/min 1400 tr/min - 800 tr/min	9 kg

1) Conformément au règlement de la Commission européenne UE 2019/2023, ce programme à 40 °C peut nettoyer du linge en coton normalement sale déclaré lavable à 40 °C ou 60 °C, dans le même cycle.









Pour la température atteinte dans le linge, la durée du programme et d'autres données, veuillez consulter le chapitre « Valeurs de consommation ».

Les programmes les plus efficaces en matière de consommation énergétique sont généralement ceux qui fonctionnent à des températures plus basses et pendant une durée plus longue.

2) Réglez la vitesse d'essorage. Assurez-vous qu'elle est adaptée au type de linge lavé. Si vous sélectionnez l'option Sans essorage, seule la phase de vidange est disponible.

Compatibilité des options de programme



Options	Programme Eco 40-60	Katoen - Coton	Synthetica - Synthétiques	Fijne was - Délicats	Wol/Zijde - Laine/Soie 	20 min. - 3 kg	Katoen - Coton 20°	Dekbed - Duvet	Anti-allergie 	Centrifugeren/Pompen - Essorage/Vidange
Centrifugeren - Essorage	■	■	■	■	■	■	■	■	■	■
Sans essorage 		■	■	■	■	■	■	■	■	■
Arrêt cuve pleine 	■	■	■	■	■		■		■	
Vlekken - Taches ¹⁾		■	■						■	
Voorwas - Prélavage		■	■				■		■	
Rinçage uniquement 		■	■	■	■	■	■	■	■	■
Extra spoelen - Rinçage Plus ⁺ 		■	■	■			■		■	
Tijd besparen - Gain de temps ²⁾		■	■	■			■			
Startuitstel - Départ Différé	■	■	■	■	■	■	■	■	■	■

1) Cette option n'est pas disponible avec des températures de lavage inférieures à 40 °C.

2) Si vous sélectionnez la durée la plus courte, nous vous recommandons de réduire la charge de linge. Il est possible de charger entièrement le lave-linge, mais les résultats du lavage seront alors moins bons.

Détergents adaptés aux programmes de lavage

Programme	Poudre universelle ¹⁾	Produit lessiviel liquide universel	Produit lessiviel liquide pour couleurs	Laine délicate	Programmes spéciaux
Eco 40-60	▲	▲	▲	--	--
Katoen - Coton	▲	▲	▲	--	--

Programme	Poudre universelle ¹⁾	Produit lessiviel liquide universel	Produit lessiviel liquide pour couleurs	Laine délicate	Programmes spéciaux
Synthetica - Synthétiques	▲	▲	▲	--	--
Fijne was - Délicats	--	--	--	▲	▲
Wol/Zijde - Laine/Soie 	--	--	--	▲	▲
20 min. - 3 kg	--	▲	▲	--	--
Katoen - Coton 20°	▲	▲	▲	--	--
Dekbed - Duvet	--	--	--	▲	▲
Anti-allergie 	▲	▲	▲	--	--

1) À une température supérieure à 60 °C, l'utilisation de détergent en poudre est recommandée.

▲ = Recommandé

-- = Déconseillé

8.2 Woolmark Premium Wool Care - Bleu




Le cycle de lavage de la laine de cet appareil a été testé et approuvé par The Woolmark Company pour le lavage des vêtements en laine portant une étiquette « lavage à la main », à condition que les produits soient lavés conformément aux instructions figurant sur l'étiquette du vêtement et à celles émises par le fabricant de cette machine à laver.
M1512

9. CONFIGURATIONS

9.1 Sécurité enfants

Avec cette option, vous pouvez empêcher les enfants de jouer avec le bandeau de commande.

- Pour **activer/désactiver** cette option, appuyez simultanément sur les touches Centrifugeren - Essorage et Extra jusqu'à ce que le voyant  s'allume/s'éteigne sur l'affichage.

Vous pouvez activer cette option :

- Après avoir appuyé sur la touche Start/Pause - Départ/Pause : toutes les touches et le sélecteur de programme sont désactivés (à l'exception de la touche Aan /Uit - Marche/Arrêt).
- Avant d'appuyer sur la touche Start/Pause - Départ/Pause : l'appareil ne peut pas démarrer.

Après avoir éteint l'appareil, cette option reste sélectionnée.

9.2 Signaux sonores

Les signaux sonores retentissent lorsque le programme est terminé (suite de signaux pendant environ 2 minutes).


Pour **désactiver/activer** les signaux sonores, appuyez simultanément sur les touches Startuitstel - Départ Différé et Tijd besparen - Gain de temps pendant 6 secondes.



Si vous désactivez les signaux sonores, ils continueront à retentir si l'appareil présente une anomalie.

9.3 Rinçage plus permanent

Cette fonction vous permet de maintenir la fonction Rinçage Plus en permanence lorsque vous sélectionnez un nouveau programme.

- Pour **activer/désactiver** cette option, appuyez simultanément sur les touches Temp. et Centrifugeren - Essorage jusqu'à ce que le voyant correspondant  s'allume/s'éteigne.

9.4 Compteur des heures de fonctionnement

Il est possible de visualiser la durée totale de fonctionnement de l'appareil en heures, à partir de la première mise sous tension. Cette valeur calcule la durée de fonctionnement des cycles (n'inclut pas les pauses et le délai de départ différé). Pour visualiser cette valeur, procédez comme suit :

1. Mettez en fonctionnement l'appareil en appuyant sur la touche Aan /Uit - Marche/ Arrêt.
2. Tournez le sélecteur de programme sur le programme Eco 40-60 (1ère position vers la droite).
3. Maintenez la touche Startuitstel - Départ Différé et Tijd besparen - Gain de temps

enfoncée pendant quelques secondes (dans les 10 secondes après avoir mis en fonctionnement. Après ces 10 secondes, la combinaison de touches active et désactive les signaux sonores).

4. Au bout de 3 secondes, le nombre total d'heures de fonctionnement de l'appareil s'affiche : par exemple pour 1276 heures, le texte Hr s'affiche pendant 2 secondes, 12 (milliers et centaines) pendant 2 secondes et 76 (dizaines et unités).



Si la procédure ne fonctionne pas (en raison d'un délai écoulé, d'une mauvaise position du sélecteur de programme ou d'une combinaison de touches erronée), mettez à l'arrêt l'appareil et répétez la procédure depuis le début.

9.5 Réinitialisation usine

Cette fonction permet de restaurer les options d'usine par défaut. Pour **activer** cette option suivez les étapes ci-dessous:

1. Mettez en fonctionnement l'appareil en appuyant sur la touche Aan /Uit - Marche/ Arrêt.
2. Tournez le sélecteur de programme sur le programme Synthetica - Synthétiques (3e position vers la droite).
3. Maintenez la touche Startuitstel - Départ Différé et Tijd besparen - Gain de temps enfoncée pendant quelques secondes (dans les 10 secondes après avoir mis en fonctionnement. Après ces 10 secondes, la combinaison de touches active et désactive les signaux sonores).
4. L'affichage indique — — — pendant environ 5 secondes.



Si la procédure ne fonctionne pas (en raison d'un délai écoulé, d'une mauvaise position du sélecteur de programme ou d'une combinaison de touches erronée), mettez à l'arrêt l'appareil et répétez la procédure depuis le début.

10. UTILISATION QUOTIDIENNE

⚠ AVERTISSEMENT!

Reportez-vous aux chapitres concernant la sécurité.

10.1 Activation de l'appareil

1. Branchez la fiche secteur sur la prise de courant.
2. Ouvrez le robinet d'arrivée d'eau.
3. Appuyez sur la touche pendant quelques secondes pour mettre l'appareil en fonctionnement.

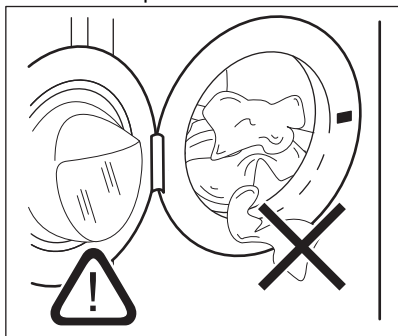
Un bref signal sonore retentit (si activé).

10.2 Chargement du linge

- Ouvrez la porte de l'appareil.
- Dépliez-les le plus possible avant de les placer dans l'appareil.
- Placez les articles un à un dans le tambour.

Veillez à ne pas trop surcharger le tambour.

- Fermez la porte fermement.

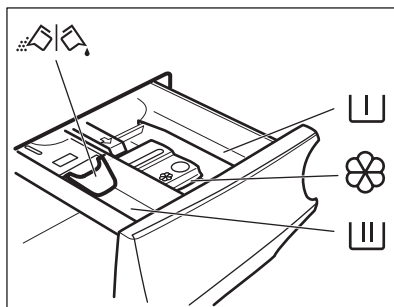


⚠ ATTENTION!

- Assurez-vous qu'il ne reste pas de linge entre le joint et la porte. Il existe un risque de fuite d'eau ou de dommage du linge.

- Laver des articles très tachés par de l'huile ou de la graisse ou utiliser du parfum pourrait endommager les pièces en caoutchouc de l'appareil.

10.3 Ajout du produit de lavage et des additifs



Compartiment destiné à la phase de pré-lavage, au programme de trempage ou à un produit détachant.



Compartiment pour la phase de lavage.



Compartiment réservé aux additifs liquides (assouplissant textile, amidon).

MAX

Niveau maximal pour la quantité d'additifs liquides.



Volet pour produit de lavage en poudre ou liquide.



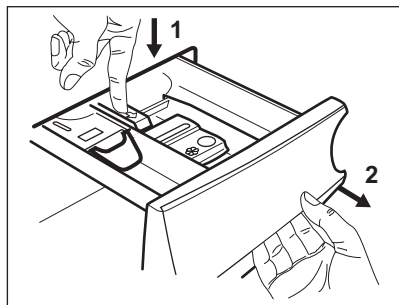
Suivez toujours les instructions imprimées sur l'emballage des produits de lavage, mais nous vous recommandons de ne pas dépasser le niveau maximal indiqué (**MAX**). Cette quantité vous garantira toutefois les meilleurs résultats de lavage.



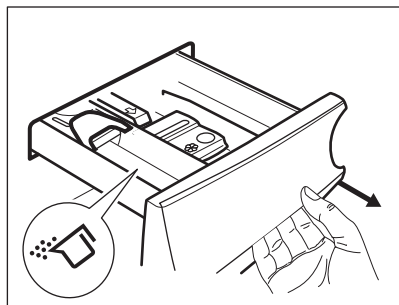
Après un cycle de lavage, si nécessaire, éliminez tout résidu de lessive du distributeur de détergent.

10.4 Vérification de la position du volet

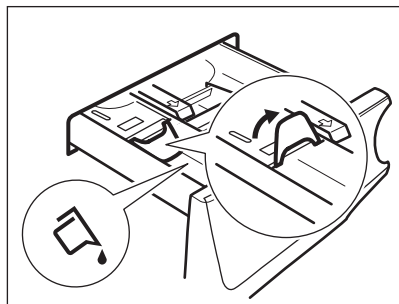
1. Tirez le distributeur de détergent jusqu'à la butée.



2. Appuyez sur le levier pour retirer le distributeur.
3. Pour utiliser une lessive en poudre, tournez le volet vers le haut.



4. Pour utiliser un détergent liquide, tournez le volet vers le bas..

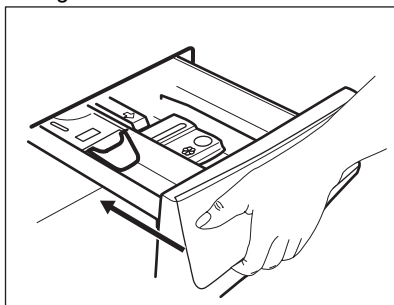


i

Avec le volet en position BASSE :

- N'utilisez pas de lessives liquides gélatineuses ou épaisses.
- Ne versez pas de lessive liquide au-delà du niveau maximal indiqué sur le volet.
- Ne sélectionnez pas la phase de pré-lavage.
- Ne sélectionnez pas la fonction Départ différé.

5. Dosez le détergent et l'assouplissant.
6. Fermez soigneusement le distributeur de détergent.



Assurez-vous que le volet ne provoque pas d'obstruction lorsque vous refermez le distributeur.

10.5 Réglage d'un programme

1. Tournez le sélecteur pour choisir le programme de lavage souhaité. Le voyant correspondant au programme s'allume.

Le voyant de la touche Start/Pauze - Départ/ Pause clignote.

Une durée indicative pour le programme s'affiche.

2. Pour modifier la température et/ou la vitesse d'essorage, appuyez sur les touches correspondantes.
3. Si nécessaire, sélectionnez une ou plusieurs options en appuyant sur les touches correspondantes. Les indicateurs correspondants s'affichent et les informations données changent en conséquence.




Si votre sélection n'est **pas possible**, aucun indicateur ne s'affiche et un signal sonore retentit.

10.6 Informations supplémentaires sur l'utilisation quotidienne

Détection de la charge ProSense

L'appareil détecte la charge au cours des 30 premières secondes. Pendant la détection, le voyant clignote. Le voyant cesse de clignoter à la fin de la détection de charge. **En cas de surcharge du tambour**, le voyant **MAX** clignote sur l'affichage : Il est possible de mettre l'appareil en pause et d'enlever le linge en excédent. Même si la quantité de linge n'est pas réduite, le programme de lavage démarre. Environ 20 minutes après le début du programme, l'appareil peut ajuster la durée du programme en fonction de la capacité d'absorption d'eau des tissus. Le ProSense Technology n'est pas disponible dans les programmes à cycle court.

Démarrer un programme

Appuyez sur la touche Start/Pauze - Départ/Pauze pour lancer le programme. Le voyant correspondant cesse de clignoter et reste allumé. Le programme démarre, la porte est verrouillée. Le voyant  s'affiche.

Démarrer un programme avec démarrage différé

1. Appuyez sur la touche Startuitstel - Départ Différé à plusieurs reprises jusqu'à ce que le départ différé souhaité s'affiche.

2. Appuyez sur la touche Start/Pauze - Départ/Pauze. Le hublot se verrouille et l'appareil démarre le décompte du départ différé. Le programme démarre automatiquement lorsque le décompte est terminé.

Interruption d'un programme et modification des options.

1. Lorsque le programme est en cours, vous ne pouvez changer que quelques options. Appuyez sur la touche Start/Pauze - Départ/Pauze.

2. Modifiez les options. Les informations données sur l'affichage changent en conséquence.

3. Appuyez à nouveau sur Start/Pauze - Départ/Pauze. Le programme de lavage continue.

Annulation d'un programme en cours

1. Appuyez sur le bouton Aan /Uit - Marche/ Arrêt pour annuler le programme et mettre l'appareil à l'arrêt

2. Vous pouvez maintenant sélectionner un nouveau programme de lavage. Appuyez à nouveau pour mettre l'appareil en fonctionnement.

Ouverture de la porte : ajout de vêtements

Lorsque le programme ou le Départ Différé est en cours, le hublot de l'appareil est verrouillé.


1. Appuyez sur le bouton Start/Pauze - Départ/Pauze

2. Ouvrez la porte de l'appareil. Si nécessaire, ajoutez ou retirez du linge.

3. Fermez la porte et appuyez à nouveau sur le bouton Start/Pauze - Départ/Pauze. Le programme ou le Démarrage retardé se poursuit.

Fin du programme

1. L'appareil se met à l'arrêt automatiquement. Les signaux sonores se déclenchent (s'ils sont actifs).




2. Le voyant de la touche Start/Pauze - Départ/Pauze s'éteint. Le hublot se déverrouille et le voyant  s'éteint.

3. Appuyez sur la touche Aan /Uit - Marche/ Arrêt pour mettre à l'arrêt l'appareil. Laissez le hublot et le distributeur de produit de lavage entrouverts pour éviter la formation de moisissures et l'apparition de mauvaises odeurs.

Vidange de l'eau après la fin du cycle

Si vous avez sélectionné un programme ou une option qui ne vidange pas l'eau du dernier rinçage, n'oubliez pas de vidanger l'eau avant d'ouvrir la porte.

1. Appuyez sur la touche Start/Pauze - Départ/Pauze.

- Si vous avez sélectionné , l'appareil effectue la vidange et l'essorage.
 - Si vous avez sélectionné , l'appareil effectue uniquement une vidange.
2. Appuyez sur le bouton Centrifugeren - Essorage pour diminuer la vitesse d'essorage proposée par l'appareil. Lorsque le programme est terminé et que le voyant de porte verrouillée  s'éteint, vous pouvez ouvrir la porte.

3. Appuyez sur le bouton Aan /Uit - Marche/ Arrêt pour mettre l'appareil à l'arrêt.

Fonction Veille

La fonction Veille met automatiquement l'appareil à l'arrêt pour réduire la consommation d'énergie.

11. ENTRETIEN ET NETTOYAGE

AVERTISSEMENT!

Reportez-vous aux chapitres concernant la sécurité.

11.1 Calendrier de nettoyage périodique

Le nettoyage périodique permet de prolonger la durée de vie de votre appareil.

Après chaque cycle, maintenez la porte et le distributeur de détergent légèrement entrouverts pour permettre la circulation de l'air et éliminer l'humidité à l'intérieur de l'appareil.

Si l'appareil n'est pas utilisé pendant une durée prolongée : fermez le robinet d'eau et débranchez l'appareil.

Calendrier indicatif de nettoyage périodique :

Détartrage	Deux fois par an
Lavage d'entretien	Une fois par mois
Nettoyer le joint de la porte	Tous les deux mois
Nettoyez le tambour	Tous les deux mois
Nettoyez le distributeur de détergent	Tous les deux mois
Nettoyez le filtre de la pompe de vidange	Deux fois par an
Nettoyez le tuyau d'arrivée d'eau et du filtre de la vanne	Deux fois par an

11.2 Enlèvement des objets étrangers



Assurez-vous que les poches sont vides et que tous les éléments libres sont attachés avant de lancer votre cycle.

Enlevez les objets étrangers (tels que les attaches métalliques, les boutons, les pièces, etc.) pouvant se trouver dans le joint de la porte, les filtres et le tambour. Consultez les paragraphes « Joint de porte avec double lèvres », « Nettoyage du tambour », « Nettoyage de la pompe de vidange » et « Nettoyage du tuyau d'arrivée d'eau et du filtre de la vanne ». Traitez les rideaux avec précautions. Retirez les crochets et placez les rideaux dans un sac de lavage ou une taie d'oreiller. Si nécessaire, contactez le service après-vente agréé.

11.3 Nettoyage externe

Nettoyez uniquement l'appareil à l'eau chaude avec un savon doux. Séchez complètement toutes les surfaces. N'utilisez pas de tampons à récurer ni de matières pouvant causer des rayures.

ATTENTION!

N'utilisez pas d'alcool, de solvants ni de produits chimiques.

ATTENTION!

Ne nettoyez pas les surfaces métalliques avec un détergent à base de chlore.

11.4 Détartrage



Si l'eau de votre région est dure ou moyennement dure, nous vous recommandons d'utiliser un adoucisseur d'eau pour lave-linge (détartrage occasionnel).

Examinez régulièrement le tambour à la recherche de tartre.



Respectez toujours les instructions figurant sur l'emballage du produit.

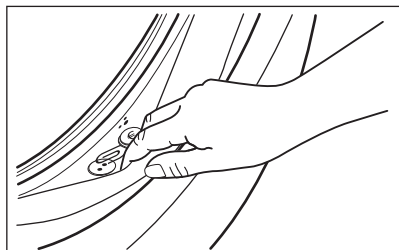
11.5 Lavage d'entretien

Avec les programmes à basse température, il est possible que certains produits de lavage restent dans le tambour. Effectuez régulièrement un lavage d'entretien. Pour ce faire :

- Retirez le linge du tambour.
- Sélectionnez le programme pour le coton à température maximale ou, s'il est proposé, utilisez le programme Machine Clean. Versez une petite quantité de lessive en poudre dans le tambour vide afin de rincer les éventuels résidus.

11.6 Joint de porte

Cet appareil dispose d'un **système de vidange autonettoyant**, permettant d'évacuer avec l'eau les peluches et fibres légères qui se détachent des vêtements. Examinez régulièrement le joint et, si nécessaire, nettoyez-le comme décrit dans le schéma suivant. Les pièces, les boutons et les autres petits objets peuvent être récupérés à la fin du cycle.



Si nécessaire, nettoyez-le en utilisant un agent nettoyant à l'ammoniac et sans érafler la surface du joint.



Respectez toujours les instructions figurant sur l'emballage du produit.

11.7 Nettoyage du tambour

Examinez régulièrement le tambour pour éviter le dépôt de particules de rouille.

Pour un nettoyage complet :

1. Nettoyez le tambour à l'aide d'un produit spécial pour l'acier inoxydable.



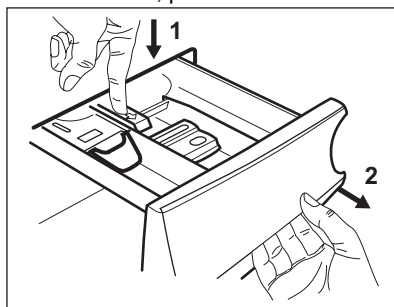
Respectez toujours les instructions figurant sur l'emballage du produit.

2. Sélectionnez le programme pour le coton à température maximale ou, s'il est proposé, utilisez le programme Machine Clean. Versez une petite quantité de lessive en poudre dans le tambour vide afin de rincer les éventuels résidus.

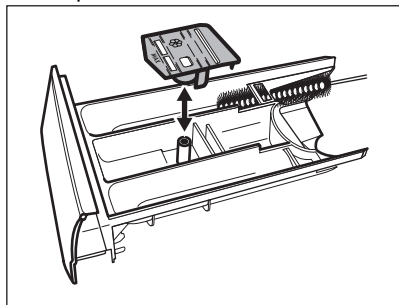
11.8 Nettoyage du distributeur de lessive

Pour éviter d'éventuels dépôts de lessive séchée ou d'assouplissant coagulé et/ou la formation de moisissures dans le tiroir du distributeur de lessive, effectuez tous les deux mois la procédure de nettoyage suivante comme expliqué dans les schémas suivants :

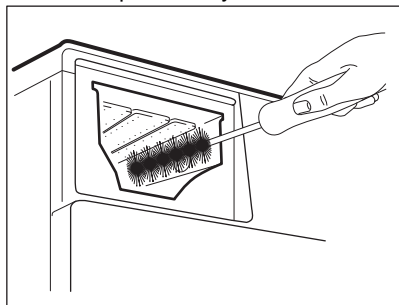
1. Ouvrez le distributeur. Appuyez sur le loquet vers le bas comme indiqué sur l'illustration, puis retirez le distributeur.



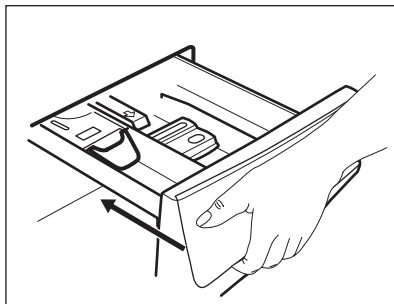
2. Retirez la partie supérieure du compartiment réservé à l'additif pour faciliter le lavage, et passez-le sous l'eau courante chaude pour éliminer toute trace d'accumulation de lessive. Après le nettoyage, remettez la partie supérieure en place.



3. Assurez-vous d'éliminer tous les résidus de lessive dans les parties supérieure et inférieure du logement. Utilisez une petite brosse pour nettoyer la cuvette.



4. Réinstallez le distributeur de lavage dans ses rails et fermez-le. Lancez un programme de rinçage sans vêtement dans le tambour.



11.9 Nettoyage du filtre de la pompe de vidange

Vérifiez régulièrement le filtre de la pompe de vidange et assurez-vous qu'il est propre.

Nettoyez le filtre de la pompe de vidange si :

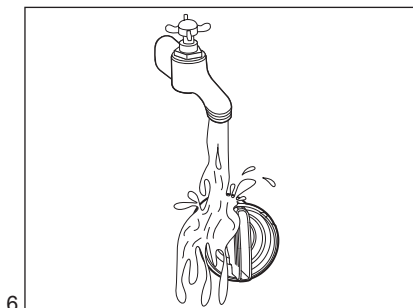
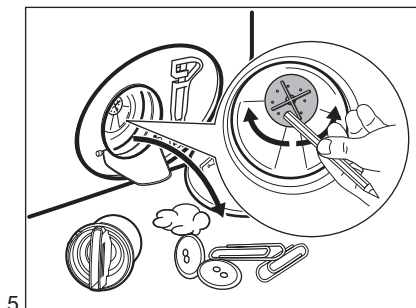
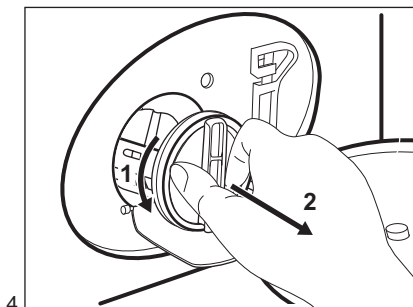
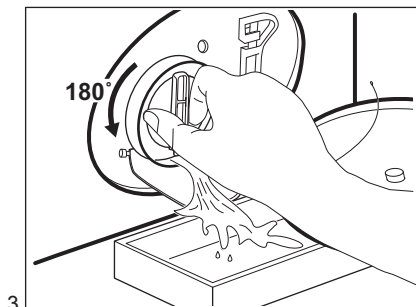
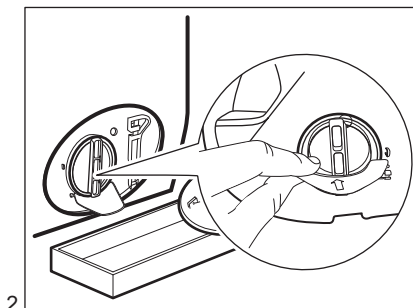
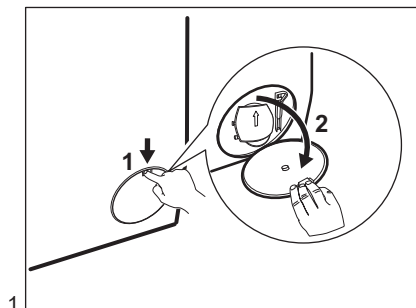
- L'appareil ne vidange pas l'eau.
- Le tambour ne tourne pas.
- L'appareil fait un bruit inhabituel en raison de l'obstruction de la pompe de vidange.
- Le code d'alarme **E20** s'affiche.

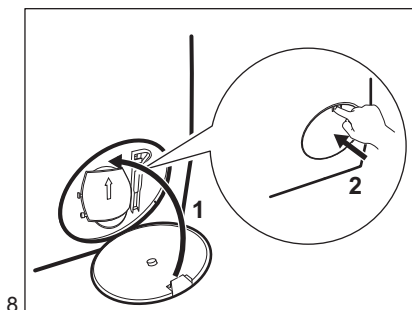
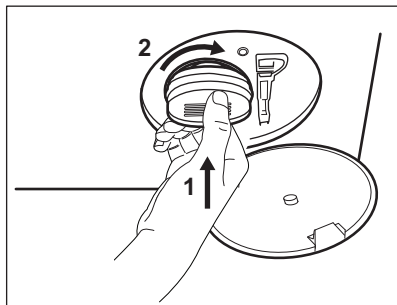
⚠ AVERTISSEMENT!

- Débranchez la fiche d'alimentation de la prise de courant.
- Ne retirez pas le filtre pendant que l'appareil fonctionne.
- Ne nettoyez pas la pompe si l'eau de l'appareil est chaude. Attendez que l'eau refroidisse.
- Répétez l'étape 3 plusieurs fois en fermant et en ouvrant la vanne jusqu'à ce que l'eau cesse de s'écouler.

Gardez toujours un chiffon à portée de main pour essuyer l'eau qui peut s'écouler lorsque vous retirez le filtre.

Procédez comme décrit dans les schémas suivants pour nettoyer le filtre de la pompe :





7.

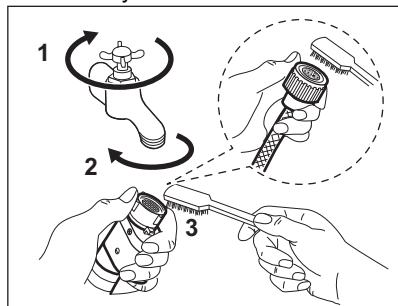
⚠ AVERTISSEMENT!

Assurez-vous que la pale de la pompe peut tourner. Si ce n'est pas le cas, contactez votre service après-vente. Assurez-vous de serrer correctement le filtre afin d'empêcher toute fuite.

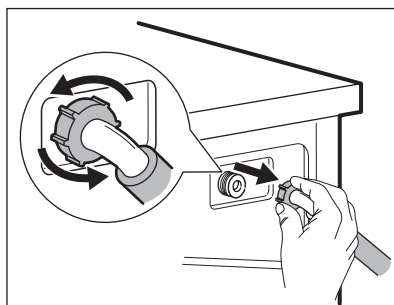
11.10 Nettoyage du tuyau d'arrivée d'eau et du filtre de la vanne

Il est recommandé de nettoyer les deux filtres du tuyau d'arrivée d'eau et de la vanne deux fois par an, pour éliminer les dépôts accumulés avec le temps. Procédez comme décrit dans les schémas suivants pour nettoyer les filtres :

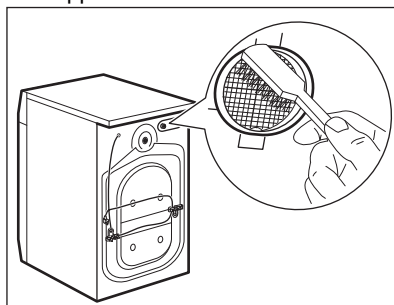
1. Retirez le tuyau d'arrivée d'eau du robinet et nettoyez le filtre.



2. Retirez le tuyau d'arrivée de l'appareil en desserrant la bague de serrage.

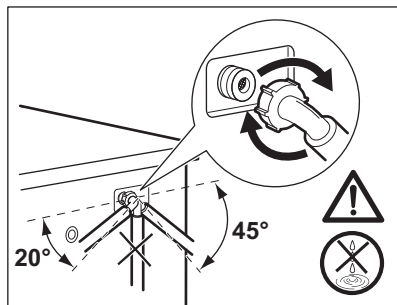


3. Utilisez une brosse à dents pour nettoyer le filtre de la valve situé à l'arrière de l'appareil.



4. Lorsque vous rebranchez le tuyau à l'arrière de l'appareil, tournez-le vers la gauche ou la droite (et non en position

verticale) en fonction de la position du robinet.



11.11 Vidange d'urgence

Si l'appareil ne peut pas vidanger l'eau, effectuez la même procédure décrite dans le paragraphe « Nettoyage de la pompe de vidange ». Si nécessaire, nettoyez la pompe.

11.12 Précautions contre le gel

Si l'appareil est installé dans un local où la température peut être négative, évacuez

toute l'eau restant dans le tuyau d'alimentation et la pompe de vidange.

1. Débranchez la fiche d'alimentation de la prise secteur.
2. Fermez le robinet d'eau.
3. Placez les deux extrémités du tuyau d'alimentation dans un récipient et laissez l'eau s'écouler du tuyau.
4. Videz la pompe de vidange. Reportez-vous à la procédure de vidange d'urgence.
5. Une fois que la pompe de vidange est vide, réinstallez le tuyau d'alimentation.

AVERTISSEMENT!

Assurez-vous que la température est supérieure à 0 °C avant d'utiliser à nouveau l'appareil.

Le fabricant ne pourra être tenu pour responsable en cas de dommages dus aux basses températures.

12. VALEURS DE CONSOMMATION

12.1 Commentaire



Le code QR présent sur l'étiquette énergétique fournie avec l'appareil contient un lien Internet vers les informations relatives aux performances de l'appareil dans la base de données EPREL de l'UE. Conservez l'étiquette énergétique à titre de référence avec la notice d'utilisation et tous les autres documents fournis avec cet appareil.

Il est également possible de trouver les mêmes informations dans EPREL à l'aide du lien <https://eprel.ec.europa.eu> avec le nom du modèle et le numéro de produit se trouvant sur la plaque signalétique de l'appareil.

Les valeurs et la durée du programme peuvent différer selon les conditions (telles que la température ambiante, la température et la pression de l'eau, l'importance de la charge et le type de linge, la tension de l'alimentation électrique) et si vous modifiez le réglage par défaut d'un programme.

Conformément au règlement de la Commission UE 2019/2023

Eco 40-60 programme	kg	kWh	Litres	hh:mm	% 1)	°C	tr/min ²⁾
Pleine charge	9	0.760	64	3:40	53	33	1351
Demi-charge	4,5	0.440	47	2:45	53	27	1351

Eco 40-60 programme	kg	kWh	Litres	hh:mm	% 1)	°C	tr/min ²⁾
Quart de charge	2,5	0.300	39	2:35	54	26	1351

1) Humidité résiduelle au terme de la phase d'essorage. Plus la vitesse d'essorage est élevée, plus le bruit est important et moins il reste d'humidité.

2) Vitesse d'essorage maximale

Programmes courants



Ces valeurs sont uniquement indicatives.

Programme	kg	kWh	Litres	hh:mm	% 1)	°C	tr/min ²⁾
Katoen - Coton ³⁾ 95 °C	9	2.75	85	4:00	52	85	1400
Katoen - Coton 60 °C	9	1.65	80	3:30	52	55	1400
Katoen - Coton ⁴⁾ 20 °C	9	0.35	80	3:00	52	20	1400
Synthetica - Synthétiques 40 °C	4	0.85	75	2:30	35	40	1200
Fijne was - Délicats ⁵⁾ 30 °C	2	0.35	60	1:25	35	30	1200
Wol/Zijde - Laine/Soie 30 °C	1,5	0.30	70	1:05	30	30	1200

1) Humidité résiduelle au terme de la phase d'essorage. Plus la vitesse d'essorage est élevée, plus le bruit est important et moins il reste d'humidité.

2) Indicateur de référence de la vitesse d'essorage.

3) Convient au lavage de textiles très sales.

4) Convient pour laver les articles en coton peu sales, synthétiques et mixtes.

5) Il fonctionne également comme un cycle de lavage rapide pour le linge légèrement sale.

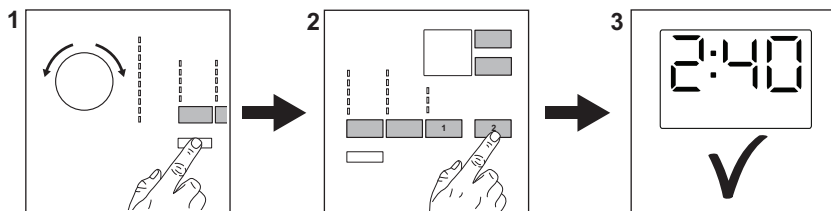
Consommation d'énergie pour différents modes

Arrêt (W)	Veille (W)	Départ différé (W)
0.50	0.50	4.00

La durée en mode Arrêt/Veille est de 15 minutes au maximum.

13. GUIDE D'UTILISATION RAPIDE

13.1 Utilisation quotidienne



Branchez la fiche secteur sur la prise de courant.

Ouvrez le robinet d'arrivée d'eau.

Chargez le linge.

Versez le détergent et les autres additifs dans le compartiment correspondant du distributeur de produit de lavage.

1. Appuyez sur la touche **Aan /Uit - Marche/Arrêt** pour allumer l'appareil. Tournez le sélecteur pour régler le programme de lavage souhaité.
2. Sélectionnez les options souhaitées (1) en utilisant les touches correspondantes. Pour démarrer le programme, appuyez sur la touche **Start/Pauze - Départ/Pause** (2).
3. L'appareil démarre.
À la fin du programme, sortez le linge.

Appuyez sur le bouton **Aan /Uit - Marche/Arrêt** pour éteindre l'appareil.

13.2 Entretien et nettoyage

Le nettoyage périodique permet de prolonger la durée de vie de votre appareil.

Après chaque cycle, maintenez la porte et le distributeur de détergent légèrement entrouverts pour permettre la circulation de l'air et éliminer l'humidité à l'intérieur de l'appareil : cela empêchera l'apparition de moisissure et d'odeurs.

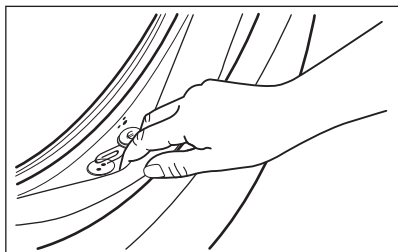
Si l'appareil n'est pas utilisé pendant une durée prolongée : fermez le robinet d'eau et débranchez l'appareil.

Détartrage	Deux fois par an
Lavage d'entretien	Une fois par mois
Nettoyer le joint de la porte	Tous les deux mois
Nettoyez le tambour	Tous les deux mois
Nettoyez le distributeur de détergent	Tous les deux mois
Nettoyez le filtre de la pompe de vidange	Deux fois par an
Nettoyez le tuyau d'arrivée d'eau et du filtre de la vanne	Deux fois par an

Les paragraphes suivants expliquent comment vous devez nettoyer chaque partie.

Joint du hublot avec piège à double lèvre

Cet appareil dispose d'un **système de vidange autonettoyant**, permettant d'évacuer avec l'eau les peluches et fibres légères qui se détachent des vêtements. Examinez régulièrement le joint et, si nécessaire, nettoyez-le comme décrit dans le schéma suivant. Les pièces, les boutons et les autres petits objets peuvent être récupérés à la fin du cycle.



Si nécessaire, nettoyez-le en utilisant un agent nettoyant à l'ammoniaque et sans érafler la surface du joint.



Respectez toujours les instructions figurant sur l'emballage du produit. Vérifiez et retirez les objets (le cas échéant) qui pouvant se trouver dans le pli. Assurez-vous qu'il ne reste pas de linge entre le joint et la porte. À l'aide d'un chiffon humide, essuyez toute saleté ou tout résidu d'eau restant dans le joint de porte une fois le cycle du programme terminé.

Enlèvement des objets étrangers

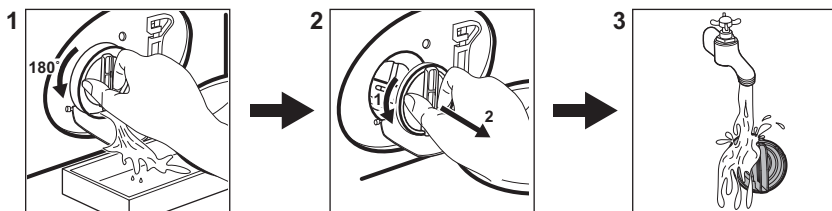


Assurez-vous que les poches sont vides et que tous les éléments libres sont attachés avant de lancer votre cycle.

Enlevez les objets étrangers (tels que les attaches métalliques, les boutons, les pièces, etc.) pouvant se trouver dans le joint de la porte, les filtres et le tambour. Si nécessaire, contactez le service après-vente agréé.



Nettoyage du filtre de la pompe de vidange

Nettoyez régulièrement le filtre, tout particulièrement si le code d'alarme **E20** s'affiche.



13.3 Programmes

Programmes	Charge	Description du produit
Eco 40-60 ¹⁾	9 kg	Coton blanc et de couleur Vêtements normalement sales.
Katoen - Coton	9 kg	Coton blanc et couleurs.
Synthetic - Synthétiques	4 kg	Articles en textiles synthétiques ou mélangés.
Fijne was - Délicats	2 kg	Articles en textiles délicats tels que l'acrylique, la viscose ou le polyester.

Programmes	Charge	Description du produit
Wol/Zijde - Laine/Soie 	1,5 kg	Laine lavable en machine, la laine lavable à la main et textiles délicats.
20 min. - 3 kg	3,5 kg	Articles en coton et synthétiques légèrement sales ou portés une seule fois.
Katoen - Coton 20°	9 kg	Textiles mixtes. Articles en coton et synthétiques.
Dekbed - Duvet	3 kg	Des couvre-lits synthétiques ou en plumes, des vêtements rembourrés, des couettes.
Anti-allergie 	9 kg	Articles en coton blanc. Ce programme élimine plus de 99,99 % des bactéries et des virus ²⁾ . Garantit également une réduction efficace des allergènes.
Centrifuger/Pompen - Essorage/Vidange	9 kg	Tous textiles, excepté la laine et les tissus délicats. Programme pour essorer et vidanger l'eau.

Charger l'appareil à la **capacité maximale indiquée pour chaque programme permet de réduire la consommation d'eau et d'énergie**

1) Conformément au règlement de la Commission européenne UE 2019/2023, ce programme à 40 °C peut nettoyer du linge en coton normalement sale déclaré lavable à 40 °C ou 60 °C, dans le même cycle.





Pour la température atteinte dans le linge, la durée du programme et d'autres données, veuillez consulter le chapitre « Valeurs de consommation ».

Les programmes les plus efficaces en matière de consommation énergétique sont généralement ceux qui fonctionnent à des températures plus basses et pendant une durée plus longue.

2) Testé pour le staphylocoque doré, les enterococcus faecium, le candida albicans, le bacille pyocyanique et les bactériophages MS-2 par l'institut indépendant Swisstat Testmaterialien AG en 2021 (Rapport de test n° 202120117).

Détergents adaptés aux programmes de lavage

Programme	Poudre universelle ¹⁾	Produit lessiviel liquide universel	Produit lessiviel liquide pour couleurs	Laine délicate	Programmes spéciaux
Eco 40-60	▲	▲	▲	--	--
Katoen - Coton	▲	▲	▲	--	--
Synthetic - Synthétiques	▲	▲	▲	--	--
Fijne was - Délicats	--	--	--	▲	▲
Wol/Zijde - Laine/Soie 	--	--	--	▲	▲
20 min. - 3 kg	--	▲	▲	--	--

Programme	Poudre univer- selle ¹⁾	Produit lessi- viel liquide universel	Produit lessi- viel liqui- de pour couleurs	Laine déli- cate	Program- mes spé- ciaux
Katoen - Coton 20°	▲	▲	▲	--	--
Dekbed - Duvet	--	--	--	▲	▲
Anti-allergie 	▲	▲	▲	--	--

1) À une température supérieure à 60 °C, l'utilisation de détergent en poudre est recommandée.

-- = non recommandé ▲ = recommandé

13.4 Type et quantité de détergent.

- Utilisez uniquement des produits de lavage et autres traitements spécialement conçus pour les lave-linge. Suivez d'abord ces règles générales :
 - lessives en poudre (également des pastilles et des détergents à dose unique) pour tous les types de tissus, à l'exception des tissus délicats. Préférez les lessives en poudre contenant un agent blanchissant pour le blanc et la désinfection du linge,
 - Lessives liquides (également des détergents à dose unique), de préférence pour les programmes de lavage à basse température (60 °C max.) pour tous les types de textiles, ou lessives spéciales pour les lainages uniquement.
- Ne mélangez pas différents types de détergents.

- Utilisez moins de lessive si :
 - vous lavez une petite charge,
 - le linge est légèrement sale,
 - d'importantes quantités de mousse de forment pendant le lavage.
- Si vous utilisez des tablettes ou des capsules de détergent, mettez-les toujours à l'intérieur du tambour, et non pas dans le distributeur de produit de lavage et suivre les recommandations du fabricant.

Une quantité insuffisante de détergent peut causer :

- résultats de lavage insatisfaisants,
- charge de lavage grise,
- vêtements grasseux,
- moisissure dans l'appareil.

Une quantité excessive de détergent peut causer :

- abondance de mousse,
- efficacité de lavage réduite,
- rinçage non adéquat,
- un impact accru pour l'environnement.

14. CODES D'ALARME ET DÉFAILLANCES POSSIBLES

L'appareil ne démarre pas ou se met à l'arrêt en cours de programme. Dans un premier temps, essayez de trouver une solution au problème (reportez-vous aux tableaux).



AVERTISSEMENT!

Mettez à l'arrêt l'appareil avant de procéder à la vérification.

Problème	Solution possible
----------	-------------------

E 10

L'appareil ne se remplit pas d'eau correctement.

- Assurez-vous que l'arrivée d'eau est ouverte.
- Assurez-vous que la pression de l'alimentation d'eau est suffisante. Pour cela, contactez les autorités locales en charge de l'eau.
- Assurez-vous que l'arrivée d'eau n'est pas bouchée.
- Assurez-vous que le tuyau de raccordement ne présente pas d'enchevêtrements, de dommages ni de plis.
- Assurez-vous que le raccordement du tuyau d'arrivée d'eau est correct.
- Assurez-vous que le filtre du tuyau d'arrivée d'eau et le filtre de la vanne ne sont pas obstrués.

E 20

La machine ne vidange pas l'eau.

- Assurez-vous que le siphon n'est pas bouché.
- Assurez-vous que le tuyau de vidange n'est pas tordu ni plié.
- Assurez-vous que le filtre de vidange n'est pas obstrué. Nettoyez le filtre si nécessaire.
- Assurez-vous que le tuyau de vidange est correctement raccordé.
- Sélectionnez le programme de vidange si vous sélectionnez un programme sans phase de vidange.
- Sélectionnez le programme de vidange si vous sélectionnez une option se terminant avec de l'eau dans la cuve.

E 40

Le hublot de l'appareil n'est pas fermé correctement.

- Assurez-vous que la porte est correctement fermée.

E 9 1

Panne interne. Il n'y a aucune communication entre les composants électroniques de l'appareil.

- Le programme ne s'est pas terminé correctement ou l'appareil s'est mis à l'arrêt trop tôt. Mettez à l'arrêt l'appareil et remettez-le en fonctionnement.
- Si le code d'alarme s'affiche à nouveau, contactez le service après-vente agréé.

E 40

L'alimentation électrique est instable.

- Attendez que l'alimentation électrique se stabilise.

E F 0


Le dispositif anti-inondation est activé.


- Débranchez l'appareil et fermez le robinet d'arrivée d'eau. Veuillez contacter le service après-vente agréé.

Si le problème persiste, contactez le service après-vente agréé. Les informations nécessaires au service après-vente figurent sur la plaque signalétique.

*Certains codes d'alarme peuvent ne pas se déclencher. Sujet à modification sans préavis.

15. EN MATIÈRE DE PROTECTION DE L'ENVIRONNEMENT

Recyclez les matériaux portant le symbole . Déposez les emballages dans les conteneurs prévus à cet effet. Contribuez à la protection de l'environnement et à votre

sécurité, recyclez vos produits électriques et électroniques. Ne jetez pas les appareils portant le symbole  avec les ordures ménagères. Emmenez un tel produit dans

votre centre local de recyclage ou contactez vos services municipaux.

FR Concerne la France uniquement :



FR

Cet appareil, ses accessoires et cordons se recyclent

REPRISE
À LA LIVRAISON



OU

À DÉPOSER
EN MAGASIN



OU

À DÉPOSER
EN DÉCHÈTERIE



Points de collecte sur www.quefairedemesdechets.fr
Privilégiez la réparation ou le don de votre appareil !



FR



Willkommen bei AEG! Danke, dass Sie sich für unser Gerät entschieden haben.



In unserem Bestreben, nachhaltig zu sein, reduzieren wir Papierbestände und stellen vollständige Bedienungsanleitungen online zur Verfügung. Greifen Sie auf Ihre vollständige Bedienungsanleitung zu unter aeg.com/manuals.



Anwendungshinweise, Prospekte, Informationen zu Fehlerbehebung, Service und Reparatur erhalten Sie unter aeg.com/support.



Zubehör, Verbrauchsmaterial und Original-Ersatzteile für Ihr Gerät kaufen Sie hier: aeg.com/shop.

Änderungen vorbehalten.

INHALTSVERZEICHNIS

1. SICHERHEITSHINWEISE.....	100
2. SICHERHEITSANWEISUNGEN.....	103
3. GERÄTEBESCHREIBUNG	105
4. TECHNISCHE INFORMATIONEN	106
5. MONTAGE	106
6. BEDIENFELD	110
7. PROGRAMMWAHLSCHALTER UND TASTEN	111
8. PROGRAMME	113
9. EINSTELLUNGEN	117
10. TÄGLICHER GEBRAUCH	118
11. REINIGUNG UND PFLEGE	122
12. VERBRAUCHSWERTE	127
13. SCHNELLEINSTIEG	129
14. ALARMCODES UND MÖGLICHE FEHLER.....	132
15. INFORMATIONEN ZUR ENTSORGUNG.....	133

1. ⚠ SICHERHEITSHINWEISE



Lesen Sie die mitgelieferte Gebrauchsanleitung sorgfältig vor der Installation und Inbetriebnahme dieses Geräts.

Bei Verletzungen oder Schäden infolge nicht ordnungsgemäßer Montage oder Verwendung übernimmt der Hersteller keine Haftung. Bewahren Sie die Anleitung zum Nachschlagen an einem sicheren und zugänglichen Ort auf.

1.1 Sicherheit von Kindern und schutzbedürftigen Personen

- Das Gerät kann von Kindern ab 8 Jahren und Personen mit eingeschränkten physischen, sensorischen oder geistigen Fähigkeiten oder mit mangelnder Erfahrung/mangelndem Wissen benutzt werden, wenn sie durch eine für ihre Sicherheit zuständige Person beaufsichtigt werden oder von dieser Person Anweisungen erhalten haben, wie das Gerät sicher zu bedienen ist und welche Gefahren bei nicht ordnungsgemäßer Bedienung bestehen.
- Kinder zwischen 3 und 8 Jahren und Personen mit schweren und komplexen Behinderungen müssen vom Gerät ferngehalten werden, wenn sie nicht ständig beaufsichtigt werden.
- Halten Sie Kinder unter 3 Jahren vom Gerät fern, wenn sie nicht ständig beaufsichtigt werden.
- Kinder sollten beaufsichtigt werden, um sicherzustellen, dass sie nicht mit dem Gerät spielen.
- Halten Sie sämtliches Verpackungsmaterial von Kindern fern und entsorgen Sie es ordnungsgemäß.
- Halten Sie alle Wasch- und Reinigungsmittel von Kindern fern.
- Halten Sie Kinder und Haustiere vom Gerät fern, wenn die Tür geöffnet ist.
- Falls Ihr Gerät mit einer Kindersicherung ausgestattet ist, empfehlen wir, diese einzuschalten.
- Kinder dürfen keine Reinigung und Wartung des Geräts ohne Beaufsichtigung durchführen.

1.2 Allgemeine Sicherheit

- Dieses Gerät ist nur zum Waschen von haushaltsüblicher, maschinenwaschbarer Wäsche bestimmt.
- Dieses Gerät ist nur für den häuslichen Gebrauch im Haushalt in Innenräumen konzipiert.
- Dieses Gerät darf in Büros, Hotelzimmern, Gästezimmern in Pensionen, Bauernhöfen und anderen ähnlichen

Unterkünften verwendet werden, wenn diese Nutzung das (durchschnittliche) Nutzungsniveau im Haushalt nicht überschreitet.

- Nehmen Sie keine technischen Änderungen am Gerät vor.
- Die maximale Beladung des Gerätes beträgt 9 kg. Überschreiten Sie nicht die maximale Beladung für jedes Programm (Sehen Sie Kapitel „Programme“).
- Der Betriebswasserdruck am Wassereinlass der Wasserversorgung muss zwischen 0,5 bar (0,05 MPa) und 8 bar (0,8 MPa) liegen.
- Die Lüftungsöffnung im Gerätesockel darf nicht von einem Teppich, einer Matte oder einem Bodenbelag blockiert werden.
- Das Gerät muss mit den neu gelieferten Schlauch-Sets oder anderen neuen, vom autorisierten Kundendienst gelieferten Schläuchen an die Wasserversorgung angeschlossen werden.
- Alte Schlauchsätze dürfen nicht wiederverwendet werden.
- Wenn das Netzkabel beschädigt ist, muss es vom Hersteller, seinem autorisierten Kundenservice oder einer gleichermaßen qualifizierten Person ausgetauscht werden, um Gefahren durch elektrischen Strom zu vermeiden.
- Schalten Sie das Gerät immer aus und ziehen Sie den Netzstecker aus der Steckdose, bevor Reinigungsarbeiten durchgeführt werden.
- Reinigen Sie das Gerät nicht mit einem Hochdruck-Wasserstrahl und/oder Dampf.
- Reinigen Sie das Gerät mit einem feuchten Tuch. Verwenden Sie ausschließlich Neutralreiniger. Verwenden Sie keine Scheuermittel, Scheuerschwämme, scharfe Reinigungsmittel oder Metallgegenstände.

2. SICHERHEITSANWEISUNGEN

2.1 Montage



Die Montage muss gemäß den einschlägigen nationalen Vorschriften erfolgen.

- Entfernen Sie alle Verpackungsmaterialien, die Transportschrauben sowie die Gummibuchse und den Abstandshalter aus Kunststoff.
- Bewahren Sie die Transportschrauben an einem sicheren Ort auf. Wenn das Gerät in Zukunft umgesetzt werden soll, müssen sie wieder angebracht werden, um die Trommel zu verriegeln und dadurch interne Schäden zu vermeiden.
- Seien Sie beim Umsetzen des Gerätes vorsichtig, da es sehr schwer ist. Tragen Sie stets Sicherheitshandschuhe und festes Schuhwerk.
- Halten Sie sich an die mitgelieferte Montageanleitung.
- Montieren Sie ein beschädigtes Gerät nicht und benutzen Sie es nicht.
- Stellen Sie das Gerät nicht an einem Ort auf, an dem die Temperatur unter 0 °C absinken kann oder an dem es Witterungseinflüssen frei ausgesetzt ist.
- Der Bodenbereich, auf dem das Gerät aufgestellt wird, muss eben, stabil, hitzebeständig und sauber sein.
- Stellen Sie sicher, dass die Luft zwischen dem Gerät und dem Boden zirkulieren kann.
- Überprüfen Sie den waagrechten Stand des Geräts mit einer Wasserwaage, wenn es an seinen endgültigen Platz gestellt wird. Richten Sie es gegebenenfalls mit den Schraubfüßen entsprechend aus.
- Stellen Sie das Gerät nicht direkt über dem Bodenablauf auf.
- Sprühen Sie kein Wasser auf das Gerät und setzen Sie es nicht übermäßiger Feuchtigkeit aus.
- Stellen Sie das Gerät nicht an einem Ort auf, an dem die Tür nicht vollständig geöffnet werden kann.

- Stellen Sie keinen geschlossenen Behälter zum Auffangen möglicher Wasserlecks unter das Gerät. Wenden Sie sich an den autorisierten Kundendienst, wenn Sie Fragen zur Verwendung möglicher Zubehörteile haben.

2.2 Elektrischer Anschluss



WARNING!

Brand- und Stromschlaggefahr.

- **WARNING:** Dieses Gerät ist für die Installation/den Anschluss an einen Erdungsanschluss im Gebäude vorgesehen.
- Schließen Sie das Gerät nur an eine ordnungsgemäß installierte Schutzkontaktsteckdose an.
- Stellen Sie sicher, dass die Daten auf dem Typenschild mit den elektrischen Nennwerten der Netzspannung übereinstimmen.
- Verwenden Sie keine Mehrfachsteckdosen oder Verlängerungskabel.
- Achten Sie darauf, Netzstecker und Netzkabel nicht zu beschädigen. Falls das Netzkabel des Geräts ersetzt werden muss, lassen Sie diese Arbeit durch unseren autorisierten Kundendienst durchführen.
- Stecken Sie den Netzstecker erst nach Abschluss der Montage in die Steckdose. Stellen Sie sicher, dass der Netzstecker nach der Montage noch zugänglich ist.
- Fassen Sie das Netzkabel oder den Netzstecker nicht mit nassen Händen an.
- Ziehen Sie nicht am Netzkabel, wenn Sie das Gerät von der Stromversorgung trennen möchten. Ziehen Sie stets am Netzstecker.

2.3 Wasseranschluss

- Das Zulaufwasser darf 25 °C nicht überschreiten.
- Achten Sie darauf, die Wasserschläuche nicht zu beschädigen.
- Bevor Sie neue oder lange Zeit nicht benutzte Schläuche, an denen

Reparaturarbeiten ausgeführt wurden oder neue Geräte (Wasserzähler usw.) an das Gerät anschließen, lassen Sie Wasser durch die Schläuche fließen, bis es sauber austritt.

- Stellen Sie sicher, dass es keine sichtbaren Wasserlecks während und nach dem ersten Gebrauch des Gerätes gibt.
- Verwenden Sie keinen Verlängerungsschlauch, falls der Zulaufschlauch zu kurz ist. Wenden Sie sich für den Austausch des Zulaufschlauchs an den autorisierten Kundendienst.
- Beim Auspacken des Geräts könnte Wasser aus dem Ablaufschlauch austreten. Dies ist auf den Gerätetest mit Wasser im Werk zurückzuführen.
- Sie können den Ablaufschlauch auf maximal 400 cm verlängern. Wenden Sie sich für den anderen Ablaufschlauch und die Verlängerung an den autorisierten Kundendienst.
- Stellen Sie sicher, dass der Wasserhahn nach der Montage noch zugänglich ist.

2.4 Gebrauch

WARNUNG!

Verletzungs-, Stromschlag-, Brand-, Verbrennungsgefahr sowie Risiko von Schäden am Gerät.

- Beachten Sie die Sicherheitshinweise auf der Waschmittelverpackung.
- Platzieren Sie keine entflammaren Produkte oder Gegenstände, die mit entflammaren Produkten benetzt sind, im Gerät, auf dem Gerät oder in der Nähe des Geräts.
- Waschen Sie keine Textilien, die stark mit Öl, Fett oder anderen fetthaltigen Substanzen verschmutzt sind. Dies kann Gummiteile des Geräts beschädigen. Waschen Sie diese Stoffe von Hand vor, bevor Sie sie in das Gerät geben.
- Verwenden Sie keine Wäschedüfte, um die Gefahr einer Beschädigung von Kunststoff- und Gummiteilen des Geräts zu vermeiden.

- Berühren Sie während des Betriebs nicht die Glastür. Das Glas kann sehr heiß werden.
- Achten Sie darauf, dass alle Metallobjekte aus der Wäsche entfernt wurden.

2.5 Service

- Wenden Sie sich zur Reparatur des Geräts an das autorisierte Servicezentrum. Dabei dürfen ausschließlich Originalersatzteile verwendet werden.
- Bitte beachten Sie, dass eigene Reparaturen oder Reparaturen, die nicht von Fachkräften durchgeführt werden, die Sicherheit des Geräts beeinträchtigen und zum Erlöschen der Garantie führen können.
- Folgende Ersatzteile sind mindestens 10 Jahre nach Produkteinstellung des Modells noch erhältlich: Motor und Motorbürsten, Übertragungselement zwischen Motor und Trommel, Pumpen, Schockabsorber und Federn, Waschtrommel, Kreuzstück für Trommel und zugehörige Kugellager, Heizer und Heizelemente einschließlich Wärmepumpen, Leitungen und zugehörige Ausrüstung einschließlich Schläuche, Ventile, Filter und Aquastop, Leiterplatten, elektronische Displays, Druckschalter, Thermostate und Sensoren, Software und Firmware einschließlich Rücksetz-Software, Tür, Türscharniere und -dichtungen, andere Dichtungen, Türverriegelung, Kunststoff-Peripherieteile wie z. B. Waschmittelschubladen. In Ihrem Land können die Teile für eine längere Dauer verfügbar sein. Für weitere Informationen besuchen Sie bitte unsere Website.
- Bitte beachten Sie, dass einige dieser Ersatzteile nur an Reparaturbetriebe geliefert werden können und nicht alle Ersatzteile für alle Modelle relevant sind.
- Bezüglich der Lampe(n) in diesem Gerät und separat verkaufter Ersatzlampen: Diese Lampen müssen extremen physikalischen Bedingungen in Haushaltsgeräten standhalten, wie z.B. Temperatur, Vibration, Feuchtigkeit, oder sollen Informationen über den Betriebszustand des Gerätes anzeigen.

Sie sind nicht für den Einsatz in anderen Geräten vorgesehen und nicht für die Raumbeleuchtung geeignet.

2.6 Entsorgung

WARNUNG!

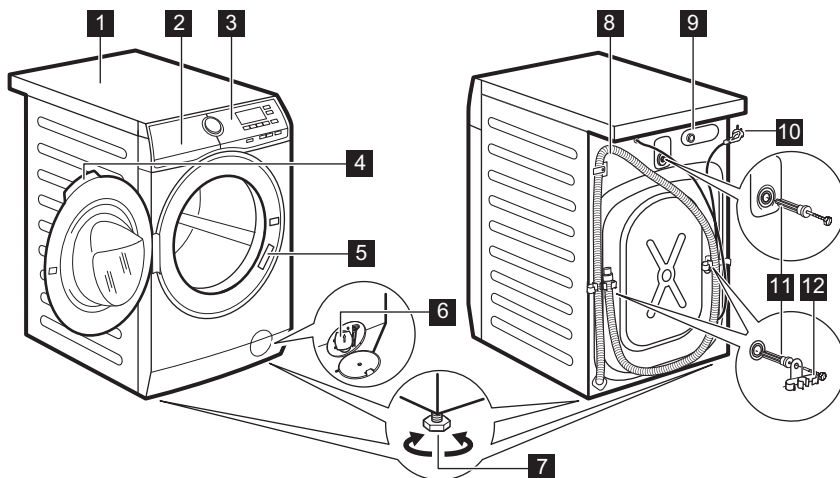
Verletzungs- und Erstickungsgefahr.

- Trennen Sie das Gerät vom Stromnetz und von der Wasserversorgung.

- Schneiden Sie das Netzkabel in der Nähe des Geräts ab, und entsorgen Sie es.
- Entfernen Sie das Türschloss, um zu verhindern, dass sich Kinder oder Haustiere in der Trommel einschließen.
- Entsorgen Sie das Gerät nach den lokalen Vorschriften zur Rücknahme und Entsorgung von Elektroaltgeräten (WEEE).

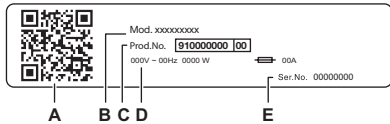
3. GERÄTEBESCHREIBUNG

3.1 Geräteübersicht



- 1** Arbeitsplatte
- 2** Waschmittelschublade
- 3** Bedienfeld
- 4** Türgriff
- 5** Typenschild
- 6** Filter der Ablaufpumpe
- 7** Füße für die Ausrichtung des Geräts

- 8** Ablaufschlauch
- 9** Anschluss des Zulaufschlauchs
- 10** Netzkabel
- 11** Transportschrauben
- 12** Schlauchhalter



Das Typenschild zeigt:

- A. QR-Code
- B. Modellbezeichnung
- C. Produktnummer
- D. Elektrische Nennwerte
- E. Seriennummer

Scannen Sie den **QR-Code** auf dem Gerät, um Ihr Produkt zu registrieren und es bestmöglich zu nutzen.

- Greifen Sie auf Ihre Gerätedetails, Dokumentation und Artikel zur Verwendung der besten Funktionen zu (die Bedienungsanleitung ist auch verfügbar unter aeg.com/manuals).
- Erhalten Sie Informationen zur Nutzung, Fehlerbehebung, Wartung und Reparatur (auch verfügbar unter aeg.com/support).
- Kaufen Sie Zubehör, Verbrauchsmaterialien und Originalersatzteile für Ihr Gerät (auch verfügbar unter aeg.com/shop).

4. TECHNISCHE INFORMATIONEN

Abmessungen	Breite/Höhe/Gesamttiefe	59.7 cm /84.7 cm /66.0 cm
Elektrischer Anschluss	Spannung	230 V
	Gesamtleistung	2100 W
	Sicherung	10 A
	Frequenz	50 Hz
Die Schutzverkleidung gewährleistet einen Schutz gegen das Eindringen von festen Fremdkörpern und Spritzwasser (Feuchtigkeit), außer an den Stellen, an denen das Niederspannungsgerät keinen Schutz gegen Feuchtigkeit besitzt.		IPX4
Wasserversorgungsdruck	Minimum	0,5 bar (0,05 MPa)
	Maximal	8 bar (0,8 MPa)
Wasseranschluss ¹⁾		Kaltwasser
Maximale Beladung	Baumwolle	9 kg

¹⁾ Schließen Sie den Zulaufschlauch an einen Wasserhahn mit einem 3/4" Außengewinde an.

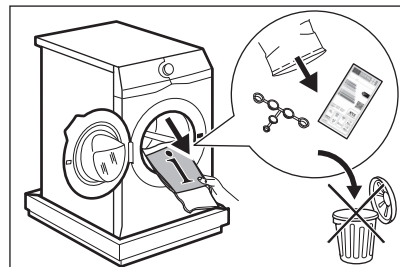
5. MONTAGE

WARNUNG!

Siehe Kapitel Sicherheitshinweise.

5.1 Auspacken

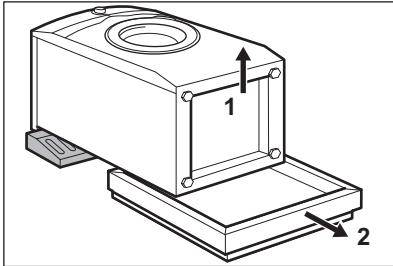
1. Öffnen Sie die Tür. Nehmen Sie alle Gegenstände aus der Trommel.





Das mit dem Gerät gelieferte Zubehör kann je nach Modell variieren.

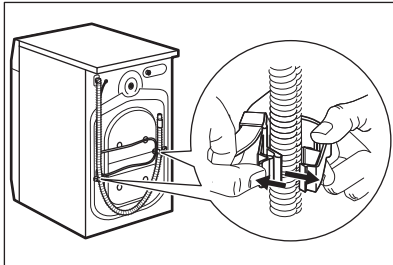
- Legen Sie die Verpackung auf den Boden hinter dem Gerät und legen Sie das Gerät vorsichtig auf die Rückseite. Entfernen Sie den Schutz vom Boden.



VORSICHT!

Legen Sie die Waschmaschine nicht auf die Vorderseite.

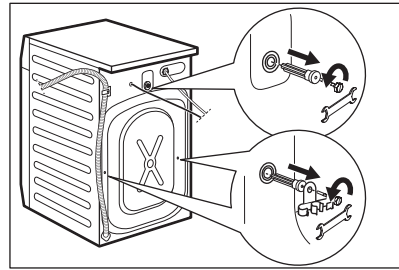
- Richten Sie das Gerät auf. Nehmen Sie das Netzkabel und den Ablaufschlauch aus den Schlauchhalterungen.



WARNUNG!

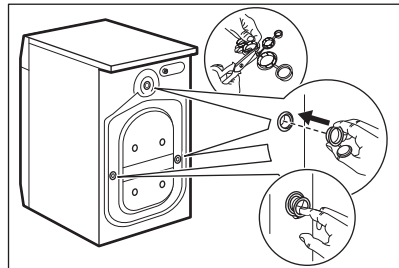
Aus dem Ablaufschlauch könnte Wasser austreten. Dieses stammt aus dem im Werk durchgeführten Waschmaschinentest.

- Lösen Sie die drei Schrauben mit dem mitgelieferten Schraubenschlüssel. Ziehen Sie die Kunststoff-Abstandshalter heraus.



Wir empfehlen, Verpackungsmaterial und Transportschrauben für spätere Transporte aufzubewahren.

- Setzen Sie die Kunststoffkappen, die sich im Beutel mit der Bedienungsanleitung befinden, in die Löcher ein.



5.2 Informationen zur Montage

Positionierung und Ausrichtung

Richten Sie das Gerät korrekt aus, um Vibrationen, Geräusche und ein Wandern des Geräts während des Betriebs zu verhindern.

- Stellen Sie das Gerät auf einen ebenen, festen Boden. Das Gerät muss einen waagerechten und festen Stand haben. Stellen Sie sicher, dass das Gerät nicht die Wand oder andere Möbel berührt und dass die Luft unter dem Gerät zirkulieren kann.
- Schrauben Sie die Füße zum Ausrichten des Geräts weiter heraus oder hinein. Alle Füße müssen den Boden fest berühren.

⚠️ WARNUNG!

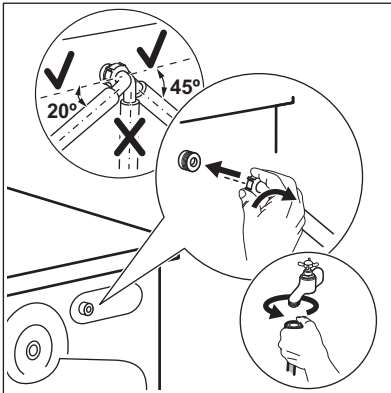
Stellen Sie keine Karton-, Holz- oder ähnliche Materialien unter die Gerätefüße, um die Höhe auszugleichen.

Zulaufschlauch

⚠️ VORSICHT!

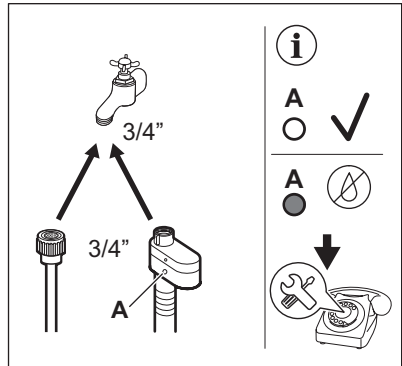
Achten Sie darauf, dass die Schläuche nicht beschädigt und die Anschlüsse dicht sind. Verwenden Sie keinen Verlängerungsschlauch, falls der Zulaufschlauch zu kurz ist. Wenden Sie sich wegen eines Ersatz-Zulaufschlauchs an das Servicezentrum.

1. Schließen Sie den Wasserzulaufschlauch an der Rückseite der Maschine an, falls nötig. Normalerweise ist er bereits werkseitig installiert.



2. Drehen Sie ihn nach links oder rechts, je nach Position des Wasserhahns. Vergewissern Sie sich, dass sich der Zulaufschlauch nicht in einer vertikalen Position befindet.
3. Lösen Sie ggf. die Ringmutter, um ihn in die gewünschte Position zu bringen.
4. Schließen Sie den Wasserzulaufschlauch an einen Kaltwasserhahn mit 3/4"-Außengewinde an.
5. Einige Modelle können einen Zulaufschlauch mit Wasserstoppvorrichtung enthalten. Sie verhindert Leckagen im Schlauch aufgrund seiner natürlichen Alterung. Der Sektor im Fenster zeigt diesen Fehler **A** an. Schließen Sie in diesem Fall den

Wasserhahn und wenden Sie sich an das autorisierte Servicezentrum, um Informationen zum Austausch des Schlauchs zu erhalten.



⚠️ WARNUNG!

Das Zulaufwasser darf 25 °C nicht überschreiten.

Wasserablauf

Der Ablaufschlauch muss in einer Höhe nicht unter 60 cm und nicht über 100 cm angebracht werden.

i

Sie können den Ablaufschlauch auf maximal 400 cm verlängern. Wenden Sie sich für den anderen Ablaufschlauch und die Verlängerung an das autorisierte Servicezentrum.

Stellen Sie sicher, dass der Ablaufschlauch einen Bogen beschreibt, damit keine Partikel aus dem Becken in das Gerät gelangen können.

Verbinden Sie den Ablaufschlauch mit dem Siphon und befestigen Sie ihn mit einer Schlauchschelle. Stellen Sie sicher, dass der Ablaufschlauch einen Bogen beschreibt, damit keine Partikel aus dem Becken in das Gerät gelangen können.

Stecken Sie den Schlauch direkt in ein Abflussrohr in der Zimmerwand und befestigen Sie ihn mit einer Schlauchschelle.

Ohne Kunststoffführung in einen Siphon - Stecken Sie den Ablaufschlauch in den

Siphon und befestigen Sie ihn mit einer Schlauchschelle.

Der Ablaufschlauch kann in U-Form gebogen und um die Kunststofführung gelegt werden. Am Rand eines Beckens - Befestigen Sie die Führung am Wasserhahn oder an der Wand.



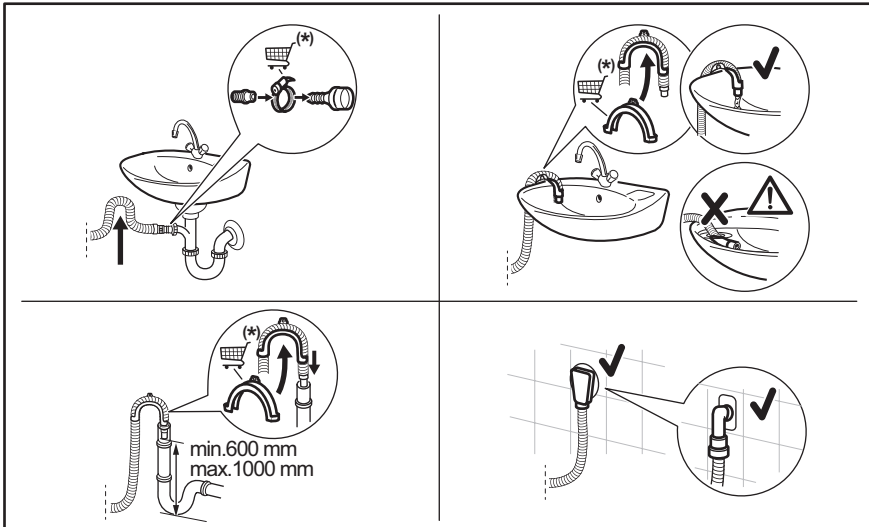
Stellen Sie sicher, dass die Kunststofführung beim Abpumpen nicht abrutschen kann und dass sich das Ende des Ablaufschlauchs nicht im Wasser befindet. Anderenfalls könnte Schmutzwasser in das Gerät zurückfließen. Zubehör bei einem autorisierten Lieferanten kaufen.

In ein Standrohr mit Belüftungsöffnung - Stecken Sie den Ablaufschlauch direkt in ein Ablaufrohr oder Standrohr.



Das Ende des Ablaufschlauchs muss stets belüftet sein, d.h. der Innendurchmesser des Ablaufrohrs (min. 38 mm - min. 1,5 ") muss größer sein als der Außendurchmesser des Ablaufschlauchs.

Der Ablaufschlauch kann auf unterschiedliche Weise angeschlossen werden:



(*) Änderungen vorbehalten.

5.3 Elektrischer Anschluss

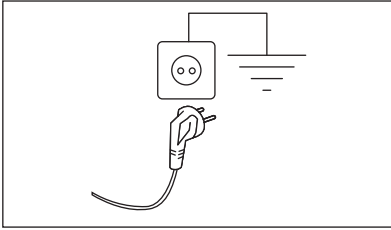
Nach Abschluss der Installation können Sie den Netzstecker in die Steckdose einstecken.

Die erforderlichen elektrischen Nennleistungen finden Sie auf dem Typenschild und im Kapitel „Technische Daten“. Stellen Sie sicher, dass sie mit dem Stromnetz kompatibel sind.

Überprüfen Sie, ob Ihre elektrische Hausinstallation die maximal erforderliche

Last aufnehmen kann. Berücksichtigen Sie dabei auch alle anderen Geräte, die ebenfalls in Verwendung sein könnten.

Schließen Sie das Gerät an eine geerdete Steckdose an.



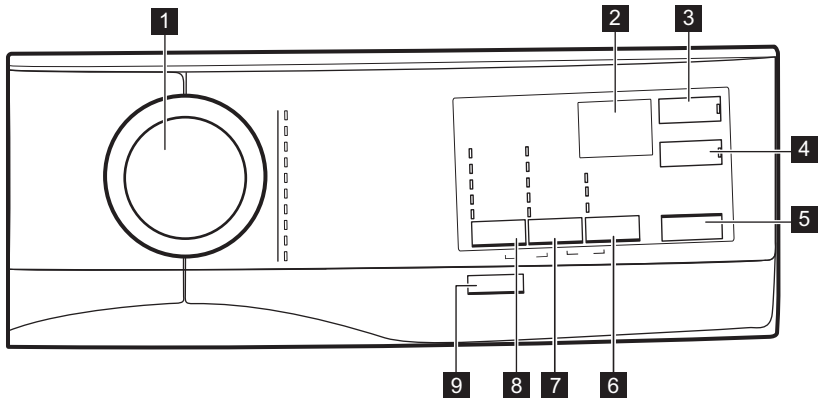
Nach der Installation des Geräts muss das Stromkabel leicht zugänglich sein.

Für alle elektrischen Arbeiten, die zur Installation dieses Geräts erforderlich sind, wenden Sie sich an unser autorisiertes Servicezentrum.

Der Hersteller übernimmt keinerlei Haftung für Schäden oder Verletzungen, die durch Missachtung der oben genannten Sicherheitshinweise entstehen.

6. BEDIENFELD

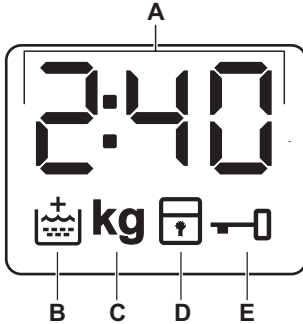
6.1 Bedienfeldbeschreibung



- 1** Programmwahlschalter
- 2** Display
- 3** Startuitstel - Départ Différé Sensortaste
- 4** Tijd besparen - Gain de temps Sensortaste
- 5** Start/Pauze - Départ/Pause Sensortaste
- 6** Extra Sensortaste
 - Vlekken - Taches Option
 - Voorwas - Prélavage Option
 - Nur Spülen Option

- 7** Centrifugeren - Essorage Sensortaste
Drehzahlreduzierung
 - Kein Schleudern Option
 - Spülstopp Option
- 8** Temp. Sensortaste
- 9** Aan /Uit - Marche/Arrêt Drucktaste

6.2 Display



A. Auf der Digitalanzeige ist Folgendes zu sehen:

- Programmdauer (z. B.).
 - Zeitvorwahl (z. B.).
 - Programmende ().
 - Warncode (z. B.).
 - Anzeige der Gesamtbetriebsstunden des Geräts. Weitere Details finden Sie im Abschnitt „Betriebsstundenzähler“ im Absatz „Einstellungen“.
- B. Anzeige „Extra Spülen“. Leuchtet, wenn diese Option ausgewählt ist.
- C. **kg** Diese Anzeige blinkt während der Messung der Wäschemenge.
- D. Kindersicherungsanzeige.
- E. Türverriegelungsanzeige.

7. PROGRAMMWAHLSCHALTER UND TASTEN

7.1 Aan /Uit - Marche/Arrêt

Halten Sie diese Taste einige Sekunden lang gedrückt, um das Gerät ein- oder auszuschalten. Beim Ein- und Ausschalten ertönen zwei verschiedene Melodien.

Da die Standby-Funktion das Gerät automatisch ausschaltet, um in einigen Fällen den Stromverbrauch zu verringern, müssen Sie es möglicherweise erneut einschalten.



Das beim Einschalten der Maschine gewählte Standardprogramm ist immer das Eco 40-60 Programm.

Weitere Informationen finden Sie im Abschnitt „Standby“ im Kapitel „Täglicher Gebrauch“.

7.2 Einführung



Die Optionen/Funktionen lassen sich nicht zusammen mit allen Waschprogrammen auswählen. Prüfen Sie die Kompatibilität der Optionen/Funktionen mit den Waschprogrammen in der „Programmübersicht“. Eine Option/Funktion kann eine andere ausschließen. In diesem Fall ist es nicht möglich, die inkompatiblen Optionen/Funktionen zusammen auszuwählen. Achten Sie darauf, dass das Display und die Sensortasten stets sauber und trocken sind.

7.3 Temp.

Bei der Auswahl eines Waschprogramms schlägt das Gerät automatisch eine Standardtemperatur vor.

Wählen Sie diese Option zum Ändern der Standardtemperatur.

Die Anzeige = Kaltwasser der eingestellten Temperatur leuchtet (das Gerät heizt das Wasser nicht).

7.4 Centrifugieren - Essorage

Wenn Sie ein Programm auswählen, dann stellt das Gerät automatisch die höchste Schleuderdrehzahl ein.


Drücken Sie wiederholt auf diese Taste, um:

die Spülstopp  „Spül-Stopp“ einzuschalten.

- Stellen Sie diese Option ein, um Knitterfalten in der Wäsche zu vermeiden.
- Die entsprechende Kontrolllampe leuchtet auf.
- Wenn das Programm beendet ist, befindet sich Wasser in der Trommel.
- Die Tür bleibt verriegelt und die Trommel dreht sich regelmäßig, um Knitterfalten zu reduzieren.
- Sie müssen das Wasser abpumpen, um die Tür zu entriegeln.
- Wenn Sie auf die Taste drücken, Start/ Pause - Départ/Pause führt das Gerät den Schleudergang aus und pumpt das Wasser ab.



Das Gerät pumpt das Wasser automatisch nach ungefähr 18 Stunden vollständig ab.

Schalten Sie die Kein Schleudern  „Kein Schleudern“ ein.

- Stellen Sie diese Option ein, um alle Schleuderphasen auszuschalten. Nur die Abpump-Phase ist verfügbar.
- Die entsprechende Kontrolllampe leuchtet auf.
- Stellen Sie diese Option für sehr empfindliche Textilien ein.
- Die Spülphase verwendet für einige Waschprogramme mehr Wasser.




Die Schleuderdrehzahl kann reduziert werden.

7.5 Extra

Drücken Sie wiederholt auf diese Taste, um eine der verfügbaren Optionen einzuschalten.

- **Vlecken - Taches**

Wählen Sie diese Option, um einem Programm eine Phase zur Entfernung von Flecken hinzuzufügen, damit stark verschmutzte oder fleckige Wäsche mit einem Fleckentferner behandelt werden kann.

Geben Sie den Fleckentferner in das  Fach. Der Fleckentferner wird in der geeigneten Phase des Waschprogramms hinzugefügt.



Mit dieser Option kann sich die Programmdauer verlängern.




Diese Option ist bei einer Temperatur unter 40 °C nicht verfügbar.

- **Voorwas - Prélavage**
Verwenden Sie diese Option, um vor dem Hauptwaschgang einen Vorwaschgang bei 30 °C durchzuführen. Diese Option eignet sich für stark verschmutzte Wäsche, besonders wenn diese Sand, Staub, Schmutz und andere feste Partikel enthält.



Mit dieser Option kann sich die Programmdauer verlängern.

- **Nur Spülen** 
Das Gerät führt nur den Spül-, Schleuder- und Abpumpgang des gewählten Programms durch.

Die entsprechende Kontrolllampe leuchtet auf.

7.6 Startuitstel - Départ Différé

Mit dieser Option können Sie den Programmstart verzögern, um eine günstigere Zeit zu nutzen.

Drücken Sie die Taste wiederholt zur Einstellung der erforderlichen Zeitvorwahl. Die Zeit erhöht sich in Schritten von 30 Minuten bis 90 Minuten und in Schritten von 2 Stunden bis zu 20 Stunden.

Die Kontrolllampe der Option und die Kontrolllampe des gewählten Werts leuchten auf. Der Countdown wird durch die

Berührung der Start/Pauze - Départ/Pause-Taste gestartet.

7.7 Tijd besparen - Gain de temps

Mit dieser Option wird die Dauer des Waschprogramms verkürzt.

Wählen Sie diese Option für normal oder leicht verschmutzte oder aufzufrischende Wäschestücke.

Berühren Sie die Taste **einmal**, um die Dauer zu verkürzen.

Berühren Sie die Taste bei geringerer Beladung **zweimal**, um ein besonders kurzes Programm einzustellen.

Die Kontrolllampe der Option und die Kontrolllampe des gewählten Werts leuchten auf.




7.8 Start/Pauze - Départ/Pause

Berühren Sie die Taste Start/Pauze - Départ/Pause, um das Gerät zu starten, anzuhalten oder ein laufendes Programm zu unterbrechen.

8. PROGRAMME

8.1 Programmtabelle

Waschprogramme

Programm	Programmbeschreibung
Waschprogramme	
Eco 40-60	Weißer und farbeständige Baumwollwäsche. Normal verschmutzte Wäsche. Der Energieverbrauch verringert sich und die Dauer des Waschprogramms wird verlängert, um gute Waschergebnisse sicherzustellen.
Katoen - Coton	Weißer und bunte Baumwollwäsche, stark und normal verschmutzt.
Synthetic - Synthétiques	Pflegeleichte Wäsche oder Mischgewebe. Normal verschmutzte Wäsche.
Fijne was - Délicats	Empfindliche Wäsche, wie etwa aus Acryl, Viskose und Mischgewebe, die schonend gewaschen werden muss. Normal und leicht verschmutzte Wäsche.
Wol/Zijde - Laine/Soie  	Waschmaschinenfeste Wolle, handwaschbare Wolle und Feinwäsche mit dem „Handwäsche“-Pflugesymbol ¹⁾ .
20 min. - 3 kg	Kleidungsstücke aus Baumwolle und pflegeleichtem Gewebe, leicht verschmutzt oder nur einmal getragen.
Katoen - Coton 20°	Mischgewebe (Baumwolle und Synthetik) ²⁾ .
Dekbed - Duvet	Eine einzelne Decke aus Synthetik, wattierte Kleidungsstücke, Daunen, Daunenjacken und ähnliche Wäschestücke.
Anti-allergie 	Weißer Baumwollwäsche. Dieses leistungsstarke Waschprogramm kombiniert mit Dampfdruck, entfernt mehr als 99,99 % der Bakterien und Viren ³⁾ entfernt Allergene, indem die Temperatur während der gesamten Waschphase über 60°C gehalten wird; mit einer zusätzlichen Wirkung auf die Fasern dank einer Dampfphase; eine verstärkte Spülphase sorgt für eine gründliche Entfernung von Waschmittel- und Mikroorganismenrückständen. Dieses Programm sorgt außerdem für eine gründliche Reduzierung von Pollen/allergenen Partikeln.




Programm	Programmbeschreibung
Centrifugieren/Pumpen - Essorage/Vidange	Alle Gewebeanen, außer Wollwäsche und Feinwäsche. Schleudern der Wäsche und Abpumpen des in der Trommel verbliebenen Wassers.

1) Während dieses Programms dreht sich die Trommel langsam, um einen schonenden Waschgang zu gewährleisten. Die Trommel scheint sich nicht oder nicht ordnungsgemäß zu drehen, aber dies ist normal für dieses Programm.

2) Dieses Programm ist für den täglichen Gebrauch geeignet. Es hat den niedrigsten Energie- und Wasserverbrauch und erzielt ein gutes Waschergebnis.

3) Getestet für Staphylococcus Aureus, Enterococcus Faecium, Candida Albicans, PseudomonasAeruginosa und MS2 Bacteriophage im externen Test, der 2021 von der Swisstest Testmaterialien AG durchgeführt wurde (Testbericht Nr. 202120117).

Programmtemperatur, maximale Drehzahl und maximale Beladung

Programm	Standardtemperatur Temperaturbereich	Referenzschleuderdrehzahl Schleuderdrehzahlbereich	Maximale Beladung
Waschprogramme			
Eco 40-60	40 °C 1)	1400 U/min 1400 U/min – 800 U/min	9 kg
Katoen - Coton	40 °C 95 °C - ✖ (Kalt)	1400 U/min 1400 U/min – 800 U/min	9 kg
Synthetica - Synthétiques	30 °C 60 °C - ✖ (Kalt)	1200 U/min 1200 U/min – 800 U/min	4 kg
Fijne was - Délicats	30 °C 40 °C - ✖ (Kalt)	1200 U/min 1200 U/min – 800 U/min	2 kg
Wol/Zijde - Laine/Soie  	40 °C 40 °C - ✖ (Kalt)	1200 U/min 1200 U/min – 800 U/min	1,5 kg
20 min. - 3 kg	30 °C 40 °C – 30 °C	1200 U/min 1200 U/min – 800 U/min	3,5 kg
Katoen - Coton 20°	✖ (Kalt)	1400 U/min 1400 U/min – 800 U/min	9 kg
Dekbed - Duvet	40 °C 60 °C - ✖ (Kalt)	800 U/min 800 U/min – 800 U/min	3 kg
Anti-allergie 	60 °C	1400 U/min 1400 U/min – 800 U/min	9 kg

Programm	Standardtemperatur Temperaturbereich	Referenzschleuderr zahl Schleuderdrehzahlbe reich	Maximale Bela dung
Centrifugieren/Pompen - Essorage/ Vidange 2)	-	1400 U/min 1400 U/min – 800 U/min	9 kg






1) Gemäß der Kommissionsverordnung EU 2019/2023 kann dieses Programm bei 40 °C normal verschmutzte Baumwollwäsche, die als waschbar bei 40 °C oder 60 °C gekennzeichnet ist, zusammen im selben Waschgang waschen.




Die erreichte Temperatur in der Wäsche, die Programmdauer und andere Daten finden Sie im Kapitel „Verbrauchswerte“.
Die effizientesten Programme in Bezug auf den Energieverbrauch sind im Allgemeinen diejenigen, die bei niedrigeren Temperaturen und längerer Dauer arbeiten.

2) Stellen Sie die Schleuderdrehzahl ein. Stellen Sie sicher, dass sie für den zu waschenden Wäschetyp geeignet ist. Wenn Sie die Option „Kein Schleudern“ auswählen, wird nur abgepumpt.

Kompatibilität der Programmoptionen

Optionen	Programm Eco 40-60	Katoen - Coton	Synthetica - Synthétiques	Fijne was - Délicats	Woll/Zijde - Laine/Soie 	20 min. - 3 kg	Katoen - Coton 20°	Dekbed - Duvet	Anti-allergie 	Centrifugieren/Pompen - Essorage/Vidange
Centrifugieren - Essorage	■	■	■	■	■	■	■	■	■	■
Kein Schleudern 		■	■	■	■	■	■	■	■	■
Spülstopp 	■	■	■	■	■	■	■	■	■	■
Vlekken - Taches 1)		■	■						■	
Voorwas - Prélavage		■	■				■		■	
Nur Spülen 		■	■	■	■	■	■	■	■	■


Optionen	Programm Eco 40-60	Katoen - Coton	Synthetica - Synthétiques	Fijne was - Délicats	Wol/Zijde - Laine/Soie 	20 min. - 3 kg	Katoen - Coton 20°	Dekbed - Duvet	Anti-allergie 	Centrifugeren/Pompen - Essorage/Vidange
-----------------	------------------------------	-----------------------	----------------------------------	-----------------------------	---	-----------------------	---------------------------	-----------------------	--	--


Extra spoelen - Rinçage Plus 	<input type="checkbox"/>	<input type="checkbox"/>	<input type="checkbox"/>	<input type="checkbox"/>	<input type="checkbox"/>	<input type="checkbox"/>	<input type="checkbox"/>	<input type="checkbox"/>	<input type="checkbox"/>	<input type="checkbox"/>
Tijd besparen - Gain de temps 2)	<input type="checkbox"/>	<input type="checkbox"/>	<input type="checkbox"/>	<input type="checkbox"/>	<input type="checkbox"/>	<input type="checkbox"/>	<input type="checkbox"/>	<input type="checkbox"/>	<input type="checkbox"/>	<input type="checkbox"/>
Startuitstel - Départ Différé	<input type="checkbox"/>	<input type="checkbox"/>	<input type="checkbox"/>	<input type="checkbox"/>	<input type="checkbox"/>	<input type="checkbox"/>	<input type="checkbox"/>	<input type="checkbox"/>	<input type="checkbox"/>	<input type="checkbox"/>

1) Diese Option ist nicht verfügbar bei einer Temperatur unter 40 °C.

2) Wenn Sie die kürzeste Programmdauer einstellen, empfehlen wir Ihnen, die Wäschemenge zu verringern. Das Gerät kann zwar voll beladen werden, aber die Waschergebnisse sind eventuell weniger zufriedenstellend.

Geeignete Waschmittel für Waschprogramme

Programm	Universalpulverwaschmittel ¹⁾	Universalfüssigwaschmittel	Flüssigwaschmittel für Buntwäsche	Empfindliche Wollwäsche	Speziell
Eco 40-60	▲	▲	▲	--	--
Katoen - Coton	▲	▲	▲	--	--
Synthetica - Synthétiques	▲	▲	▲	--	--
Fijne was - Délicats	--	--	--	▲	▲
Wol/Zijde - Laine/Soie 	--	--	--	▲	▲
20 min. - 3 kg	--	▲	▲	--	--

Programm	Universalpulverwaschmittel ¹⁾	Universalfüssigwaschmittel	Flüssigwaschmittel für Buntwäsche	Empfindliche Wollwäsche	Speziell
Katoen - Coton 20°	▲	▲	▲	--	--
Dekbed - Duvet	--	--	--	▲	▲
Anti-allergie 	▲	▲	▲	--	--

1) Bei Temperaturen über 60 °C wird die Verwendung von Pulverwaschmitteln empfohlen.

▲ = Empfohlen

-- = Nicht empfohlen

8.2 Woolmark Premium Wool Care – Blau




Das „Wolle“-Waschprogramm dieser Maschine wurde von „The Woolmark Company“ für das Waschen von Wolltextilien mit der Pflegekennzeichnung „Handwäsche“ zugelassen, wenn die Produkte gemäß der Anleitung auf dem Kleidungsetikett und gemäß den Anleitungen des Herstellers dieser Waschmaschine gewaschen werden.
M1512

9. EINSTELLUNGEN

9.1 Kindersicherung

Diese Option verhindert, dass Kinder mit dem Bedienfeld spielen.

- Berühren Sie zum **Ein-/Ausschalten** dieser Option die Tasten Centrifugieren - Essorage und Extra gleichzeitig, bis die Anzeige  im Display **leuchtet/erlischt**. Sie können diese Option einschalten:
- Nachdem Sie die Taste Start/Pause - Départ/Pause berührt haben: Alle Tasten und der Programmwahlschalter (mit Ausnahme der Taste Aan /Uit - Marche/ Arrêt) sind ausgeschaltet.
- Bevor Sie die Taste Start/Pause - Départ/Pause berühren: Das Gerät kann nicht starten.

Das Gerät speichert die Auswahl dieser Option, wenn Sie es ausschalten.

9.2 Signaltöne

Am Programmende ertönt ein akustisches Signal (eine etwa 2 Minuten lange Tonfolge).

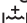
Berühren Sie zum **Ein-/Ausschalten** der akustischen Signale die Tasten Startuitstel - Départ Différé und Tijd besparen - Gain de temps gleichzeitig etwa 6 Sekunden lang.



Sind die akustischen Signale ausgeschaltet, ertönen sie nur noch dann, wenn eine Störung vorliegt.

9.3 Extra Spülen dauerhaft einschalten

Wenn Sie diese Option wählen, ist bei jeder neuen Programmauswahl die Funktion Extra Spülen eingeschaltet.

- Berühren Sie zum **Ein-/Ausschalten** dieser Option die Tasten Temp. und Centrifugieren - Essorage gleichzeitig, bis die zugehörige Anzeige  im Display **aufleuchtet/erlischt**.

9.4 Betriebsstundenzähler

Es ist möglich, die Gesamtbetriebszeit des Geräts in Stunden anzuzeigen, beginnend mit dem ersten Einschalten. Dieser Wert zählt die Betriebsstunden der Waschprogramme (ohne Pausen, Zeitvorwahl). Um diesen Wert anzuzeigen, gehen Sie wie folgt vor:

1. Zum Einschalten des Geräts drücken Sie die Taste Aan /Uit - Marche/Arrêt.
2. Drehen Sie den Programmwahlschalter auf das Programm Eco 40-60 (1. Position im Uhrzeigersinn).
3. Halten Sie die Tasten Startuitstel - Départ Différé und Tijd besparen - Gain de temps einige Sekunden lang gedrückt (innerhalb von 10 Sekunden nach dem Einschalten). Nach diesen 10 Sekunden aktiviert und deaktiviert die Tastenkombination die akustischen Signale).
4. Nach 3 Sekunden werden die Betriebsstunden des Geräts im Display angezeigt: z. B. 1276 Stunden, das Display zeigt den Text Hr für 2 Sekunden, 12 (Tausende und Hunderte) für 2 Sekunden und 76 (Zehner und Einheiten).



Falls das Verfahren nicht funktioniert (aufgrund der Zeitüberschreitung, der falschen Programmwahlschalterposition oder der falschen Tastenkombination), schalten Sie das Gerät aus und wiederholen Sie die Schritte von Anfang an.

9.5 Werkseinstellungen

Diese Funktion ermöglicht die Wiederherstellung der werkseitigen Standardoptionen. Um diese Option zu **aktivieren**, folgen Sie den folgenden Schritten:

1. Zum Einschalten des Geräts drücken Sie die Taste Aan /Uit - Marche/Arrêt.
2. Drehen Sie den Programmwahlschalter auf das Programm Synthetica - Synthétiques (3. Position im Uhrzeigersinn).
3. Halten Sie die Tasten Startuitstel - Départ Différé und Tijd besparen - Gain de temps einige Sekunden lang gedrückt (innerhalb von 10 Sekunden nach dem Einschalten). Nach diesen 10 Sekunden aktiviert und deaktiviert die Tastenkombination die akustischen Signale).
4. Das Display zeigt etwa 5 Sekunden lang

- - -.



Falls das Verfahren nicht funktioniert (aufgrund der Zeitüberschreitung, der falschen Programmwahlschalterposition oder der falschen Tastenkombination), schalten Sie das Gerät aus und wiederholen Sie die Schritte von Anfang an.

10. TÄGLICHER GEBRAUCH



WARNUNG!

Siehe Kapitel Sicherheitshinweise.

10.1 Einschalten des Geräts

1. Stecken Sie den Netzstecker in die Netzsteckdose.
2. Öffnen Sie den Wasserhahn.

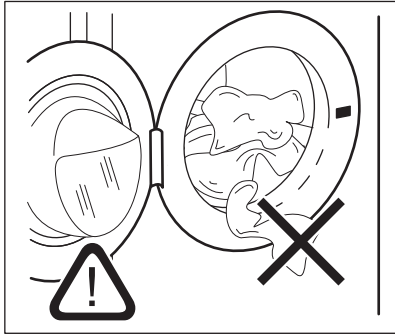
3. Halten Sie die Taste einige Sekunden lang gedrückt, um das Gerät einzuschalten.
Es ertönt eine kurze Melodie (falls eingeschaltet).

10.2 Einfüllen der Wäsche

- Öffnen Sie die Gerätetür.
- Schütteln Sie jedes Wäschestück leicht aus, bevor Sie es in das Gerät legen.
- Geben Sie jedes Wäschestück einzeln in die Trommel.

Achten Sie darauf, nicht zu viel Wäsche einzufüllen.

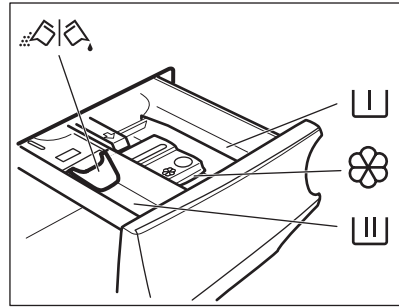
- Schließen Sie die Tür fest.



VORSICHT!

- Vergewissern Sie sich, dass keine Wäschestücke zwischen Dichtung und Tür eingeklemmt sind. Es besteht die Gefahr von Wasserlecks oder Schäden an der Wäsche.
- Stark ölige, fettige Flecken zu waschen oder Parfüm zu verwenden, kann Gummiteile des Gerätes beschädigen.

10.3 Einfüllen von Wasch- und Pflegemitteln



Fach für Vorwaschmittel, Einweichwaschmittel oder Fleckentferner.

Fach für die Hauptwäsche.

Fach für flüssige Pflegemittel (Weichspüler, Stärke).

MAX Maximaler Füllstand für flüssige Pflegemittel.

Klappe für Pulver- oder Flüssigwaschmittel.



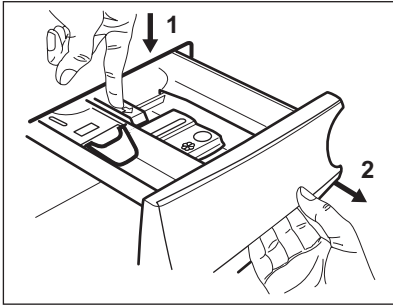
Halten Sie sich immer an die Anweisungen auf der Verpackung der Waschmittel. Wir empfehlen Ihnen aber, die Höchstmenge nicht zu überschreiten (**MAX**). Diese Menge garantiert die besten Waschergebnisse.



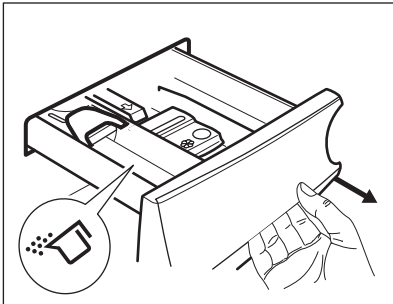
Entfernen Sie nach dem Waschgang bei Bedarf Waschmittelreste aus der Waschmittelschublade.

10.4 Überprüfen Sie die Position der Klappe.

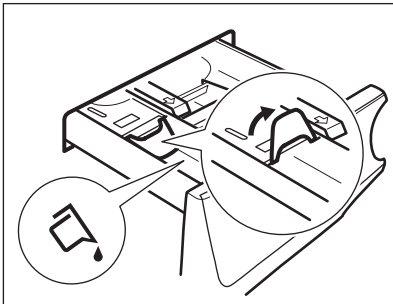
1. Ziehen Sie das Waschmittelreservoir bis zum Anschlag heraus.



2. Drücken Sie den Hebel nach unten, um den Spender zu entfernen.
3. Drehen Sie die Klappe nach oben, um Waschpulver zu verwenden.

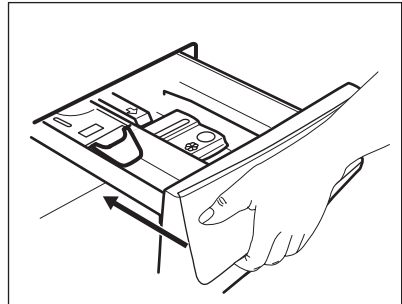


4. Drehen Sie die Klappe nach unten, um Flüssigwaschmittel zu verwenden.



Klappe in der UNTEREN Position:

- Verwenden Sie keine Gelwaschmittel oder Flüssigwaschmittel mit dickflüssiger Konsistenz.
 - Füllen Sie nicht mehr Flüssigwaschmittel ein als bis zur Markierungslinie auf der Klappe.
 - Stellen Sie nicht den Vorwaschgang ein.
 - Stellen Sie keine Zeitvorwahl ein.
5. Messen Sie das Waschmittel und den Weichspüler ab.
 6. Schließen Sie das Waschmittelreservoir vorsichtig.



Vergewissern Sie sich, dass die Klappe beim Schließen der Schublade nicht blockiert wird.

10.5 Einstellen eines Programms

1. Drehen Sie den Programmwahlschalter auf das gewünschte Waschprogramm. Die entsprechende Programmanzeige leuchtet auf.
Die Kontrolllampe der Taste Start/Pause - Départ/Pause blinkt.
Das Display zeigt die voraussichtliche Programmdauer an.
2. Berühren Sie die entsprechenden Tasten, um die Temperatur und/oder Schleuderdrehzahl zu ändern.
3. Schalten Sie bei Bedarf eine oder mehrere Optionen durch Berühren der entsprechenden Tasten ein. Die zugehörigen Anzeigen leuchten im Display und die angezeigten Informationen ändern sich entsprechend.




Wenn die Auswahl **nicht möglich ist**, leuchtet keine Anzeige und es ertönt ein akustisches Signal.

10.6 Zusätzliche Informationen zur täglichen Anwendung

ProSense-Beladungserkennung

Das Gerät erkennt die Last in den ersten 30 Sekunden, während die Anzeige blinkt. Die Anzeige hört am Ende der Beladungserkennung auf zu blinken. **Bei einer Überlastung der Trommel** blinkt die Anzeige **MAX** im Display: Es ist möglich, das Gerät anzuhalten und die überschüssigen Kleidungsstücke zu entfernen. Wenn die Wäschemenge nicht verringert wird, startet das Waschprogramm trotzdem. Etwa 20 Minuten nach dem Programmstart kann die Programmdauer in Abhängigkeit von der Wasseraufnahmefähigkeit der Wäsche erneut angepasst werden. Das ProSense Technology ist nicht für Programme mit kurzen Zyklen verfügbar.

Starten eines Programms

Berühren Sie die Start/Pauze - Départ/Pause-Taste, um das Programm zu starten. Die entsprechende Kontrolllampe hört auf zu blinken und leuchtet weiterhin. Das Programm startet, die Tür ist verriegelt. Auf dem Display zeigt die Anzeige  an.

Starten eines Programms mit Zeitvorwahl

1. Berühren Sie die Taste Startuitstel - Départ Différé wiederholt, bis das Display die gewünschte Zeitvorwahl anzeigt.

2. Berühren Sie die Taste Start/Pauze - Départ/Pause. Die Tür des Geräts wird verriegelt und der Countdown der Zeitvorwahl beginnt. Nach Ablauf des Countdowns startet das Programm automatisch.

Unterbrechen eines Programms und Ändern der Optionen.

1. Wenn das Programm bereits gestartet wurde, können Sie nur einige der Optionen ändern. Berühren Sie die Taste Start/Pauze - Départ/Pause.

2. Ändern Sie die Optionen. Die im Display angezeigten Informationen ändern sich entsprechend.

3. Berühren Sie das Start/Pauze - Départ/Pause erneut. Das Waschprogramm wird fortgesetzt.

Abbrechen eines laufenden Programms

1. Drücke die Taste Aan /Uit - Marche/Arrêt, um das Programm abubrechen und das Gerät auszuschalten

2. Jetzt können Sie ein neues Waschprogramm einstellen. Drücken Sie diese erneut, um das Gerät zu aktivieren.

Öffnen der Tür – Wäsche nachlegen

Während eines Programms oder der Zeitvorwahl ist die Gerätetür verriegelt.


1. Berühren Sie die Taste Start/Pauze - Départ/Pause

2. Öffnen Sie die Gerätetür. Legen Sie ggf. Wäsche nach oder entnehmen Sie Wäsche.

3. Schließen Sie die Tür und berühren Sie erneut Start/Pauze - Départ/Pause. Das Programm bzw. die Zeitvorwahl läuft weiter.

Programmende

1. Das Gerät stoppt automatisch. Die akustischen Signale ertönen (wenn sie eingeschaltet sind).


2. Die Kontrolllampe der Taste Start/Pauze - Départ/Pause erlischt. Die Tür wird entriegelt und die Anzeige  erlischt.


3. Drücken Sie die Taste Aan /Uit - Marche/Arrêt, um das Gerät auszuschalten. Lassen Sie die Tür und die Waschmittelschubblende einen Spaltbreit geöffnet, damit sich kein Schimmel und keine unangenehmen Gerüche bilden.

Abpumpen des Wassers nach Programmende

Wenn Sie ein Programm oder eine Option gewählt haben, bei dem/der das Wasser des letzten Spülgangs nicht entleert wird, müssen Sie daran denken, das Wasser abzulassen, um die Tür zu öffnen.

1. Die Taste Start/Pauze - Départ/Pause berühren.

- Wenn Sie  gewählt haben, pumpt das Gerät das Wasser ab und schleudert.

- Wenn Sie dB gewählt haben, pumpt das Gerät nur das Wasser ab.
2. Berühren Sie die Taste Centrifugieren - Essorage, um die vom Gerät vorgeschlagene Schleuderdrehzahl zu verringern. Wenn das Programm beendet ist und die Kontrolllampe  für verriegelte Tür erlischt, können Sie die Tür öffnen.

3. Drücken Sie Aan /Uit - Marche/Arrêt, um das Gerät auszuschalten.

Standby-Funktion

Die Stand-by-Funktion schaltet das Gerät automatisch aus, um den Energieverbrauch zu verringern.

11. REINIGUNG UND PFLEGE

WARNUNG!

Siehe Kapitel Sicherheitshinweise.

11.1 Regelmäßiger Reinigungsplan

Eine regelmäßige Reinigung hilft, die Lebensdauer Ihres Geräts zu verlängern.

Lassen Sie nach jedem Waschgang die Tür und den Waschmittelbehälter leicht geöffnet, damit die Luft zirkulieren und die Feuchtigkeit im Inneren des Geräts trocknen kann.

Wenn das Gerät längere Zeit nicht benutzt wird: Schließen Sie den Wasserhahn und ziehen Sie den Netzstecker heraus.

Empfohlener regelmäßiger Reinigungsplan:

Entkalken	Zweimal im Jahr
Wartungsdurchlauf	Einmal im Monat
Türdichtung reinigen	Alle zwei Monate
Trommel reinigen	Alle zwei Monate
Waschmittelschublade reinigen	Alle zwei Monate
Ablaufpumpenfilter reinigen	Zweimal im Jahr
Filter des Zulaufschlauchs und des Ventils reinigen	Zweimal im Jahr

11.2 Entfernen von Fremdkörpern



Vergewissern Sie sich, dass alle Taschen in der Kleidung leer und alle losen Elemente festgebunden sind, bevor Sie Ihren Zyklus starten.

Entfernen Sie alle Fremdkörper (wie z. B. Klammern, Knöpfe, Münzen usw.), die sich in der Türdichtung, den Filtern und der Trommel befinden können. Siehe Abschnitte „Türdichtung mit Doppellippenverschluss“, „Reinigen der Trommel“, „Reinigen der Ablaufpumpe“ und „Reinigen des Zulaufschlauchs und Ventilfilters“. Seien Sie vorsichtig mit Gardinen. Entfernen Sie die Haken und legen Sie die Gardinen in ein Wäschenetz oder einen Kopfkissenbezug. Falls erforderlich, wenden Sie sich bitte an das autorisierte Servicezentrum.

11.3 Reinigen der Außenseiten

Reinigen Sie das Gerät nur mit warmem Wasser und etwas milder Seife. Reiben Sie alle Oberflächen sorgfältig trocken. Verwenden Sie keine Scheuerschwämme oder andere kratzende Materialien.



VORSICHT!

Verwenden Sie keinen Alkohol, keine Lösungsmittel und keine Chemikalien.



VORSICHT!

Reinigen Sie die Metallflächen nicht mit einem Reinigungsmittel auf Chlor-Basis.

11.4 Entkalkung



Wenn das Wasser in Ihrer Region hart oder mittelhart ist, empfehlen wir, einen Wasserenthärter für Waschmaschinen zu verwenden (gelegentliche Entkalkung).

Prüfen Sie die Trommel regelmäßig auf Kalkablagerungen.



Halten Sie sich immer an die Anweisungen auf der Verpackung des Produkts.

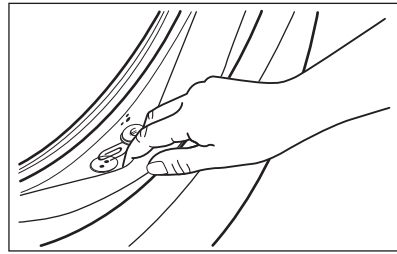
11.5 Waschgang zur Pflege der Maschine

Bei Waschprogrammen mit niedrigen Temperaturen kann etwas Waschmittel in der Trommel zurückbleiben. Führen Sie regelmäßig einen Waschgang zur Pflege der Maschine durch. Vorgehensweise:

- Nehmen Sie die Wäsche aus der Trommel.
- Wählen Sie ein Programm für Baumwollwäsche mit der maximalen Temperatur oder schalten Sie das Programm Machine Clean, falls verfügbar, ein. Geben Sie eine kleine Menge Waschpulver in die leere Trommel, um Rückstände auszuspülen.

11.6 Türdichtung

Dieses Gerät ist mit einem **selbstreinigenden Ablaufsystem** ausgestattet, das es ermöglicht, leichte Flusen, die sich von der Kleidung lösen, mit dem Wasser abzulassen. Prüfen Sie regelmäßig die Dichtung und reinigen Sie sie gegebenenfalls wie in der folgenden Abbildung beschrieben. Münzen, Knöpfe und andere kleine Gegenstände können am Programmende herausgenommen werden.



Reinigen Sie sie nach Bedarf mit einer ammoniakhaltigen Reinigungscreme ohne die Oberfläche der Dichtung zu verkratzen.



Halten Sie sich immer an die Anweisungen auf der Verpackung des Produkts.

11.7 Reinigen der Trommel

Überprüfen Sie regelmäßig, dass sich keine Rostpartikel in der Trommel abgesetzt haben.

Für eine komplette Reinigung:

1. Reinigen Sie die Trommel mit einem Spezialreiniger für Edelstahl.



Halten Sie sich immer an die Anweisungen auf der Verpackung des Produkts.

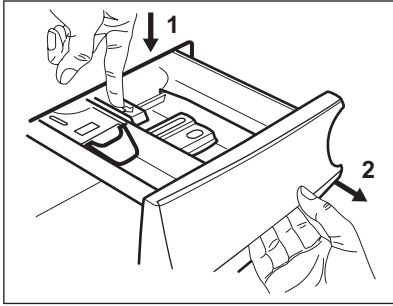
2. Wählen Sie ein kurzes Programm für Baumwollwäsche mit hoher Temperatur oder schalten Sie das Programm Machine Clean, falls verfügbar, ein. Geben Sie eine kleine Menge Waschpulver in die leere Trommel, um Rückstände auszuspülen.

11.8 Reinigung des Waschmittelbehälters

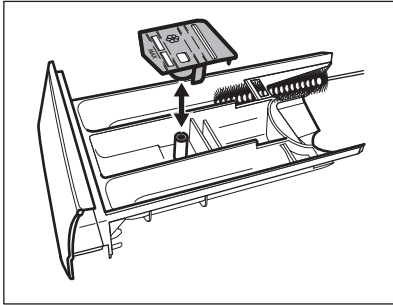
Um mögliche Ablagerungen von getrocknetem Waschmittel oder Weichspüler und/oder Schimmelbildung in der Waschmittelschublade zu verhindern, führen Sie alle zwei Monate das folgende Reinigungsverfahren durch, wie in den folgenden Diagrammen erklärt:

1. Öffnen Sie die Schublade. Drücken Sie die Entriegelung nach unten, siehe

Abbildung, und ziehen Sie die Schublade heraus.

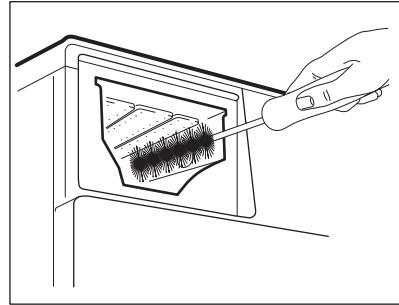


2. Entfernen Sie das Oberteil des Pflegemittelfachs, um die Reinigung zu vereinfachen, und spülen Sie es mit fließendem warmen Wasser aus, um das angesammelte Waschmittel zu beseitigen. Setzen Sie nach der Reinigung das Oberteil wieder ein.

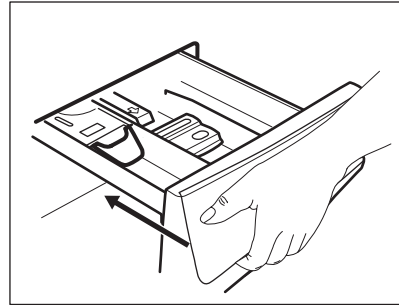


3. Stellen Sie sicher, dass alle Waschmittelreste an der Ober- und

Unterseite der Aufnahme entfernt wurden. Reinigen Sie die Schubladenaufnahme mit einer kleinen Bürste.



4. Setzen Sie die Waschmittelschublade in die Führungsschienen ein und schließen Sie sie. Starten Sie das Spülprogramm ohne Wäsche in der Trommel.



11.9 Reinigen des Ablaufpumpenfilters

Kontrollieren Sie regelmäßig den Ablaufpumpenfilter und sorgen Sie dafür, dass er sauber ist.

Reinigen Sie den Filter der Ablaufpumpe in folgenden Fällen:

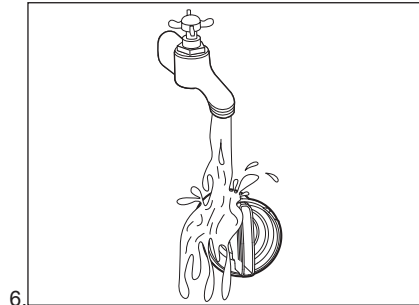
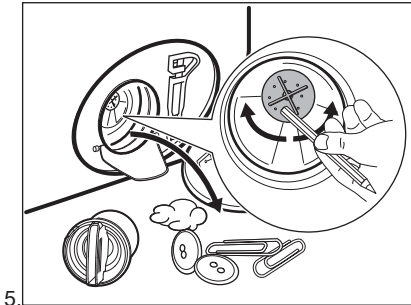
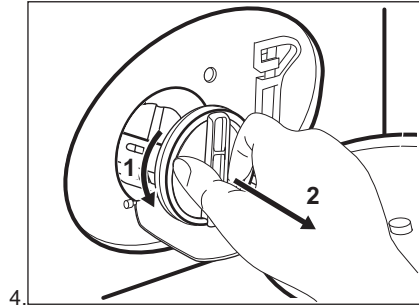
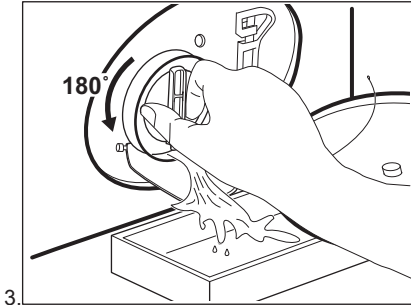
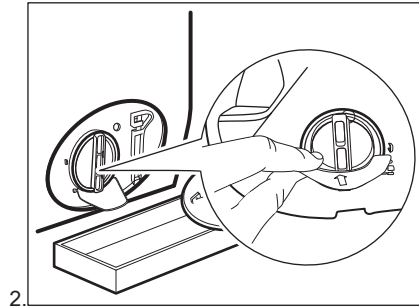
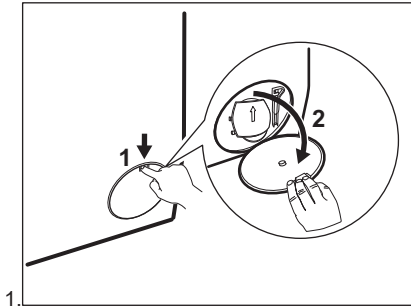
- Das Gerät pumpt das Wasser nicht ab.
- Die Trommel dreht sich nicht.
- Aufgrund der Verstopfung der Ablaufpumpe macht das Gerät ungewöhnliche Geräusche.
- Das Display zeigt den Alarmcode **E20** an.

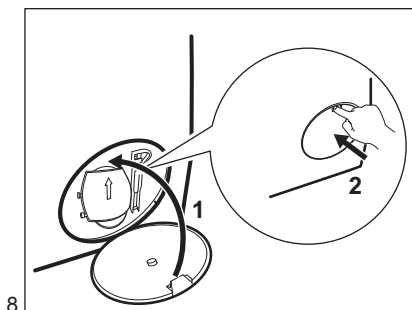
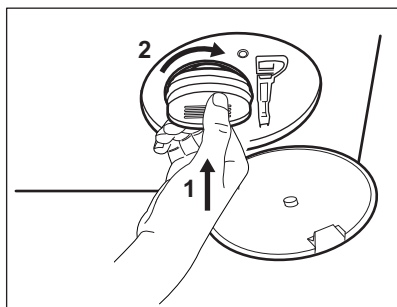
⚠️ WARNUNG!

- Ziehen Sie den Netzstecker aus der Wandsteckdose.
- Entfernen Sie den Filter nicht, während das Gerät in Betrieb ist.
- Reinigen Sie die Ablaufpumpe nicht, wenn das Wasser im Gerät heiß ist. Warten Sie, bis das Wasser abgekühlt ist.
- Wiederholen Sie Schritt 3 mehrmals durch Schließen und Öffnen des Ventils, bis kein Wasser mehr austritt.

Halten Sie beim Herausnehmen des Filters einen Lappen bereit, um austretendes Wasser aufzuwischen.

Gehen Sie wie in den folgenden Diagrammen beschrieben vor, um den Pumpenfilter zu reinigen:





7.

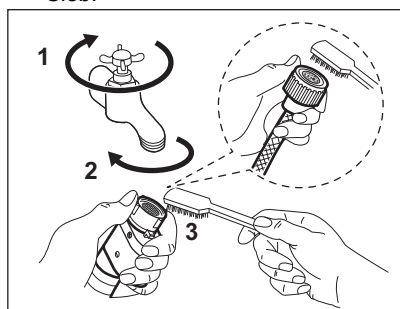
⚠️ WARNUNG!

Prüfen Sie, ob sich das Flügelrad der Pumpe drehen lässt. Ist dies nicht möglich, wenden Sie sich an das autorisierte Servicezentrum. Achten Sie auch darauf, dass Sie den Filter richtig fest anziehen, um Wasserlecks zu vermeiden.

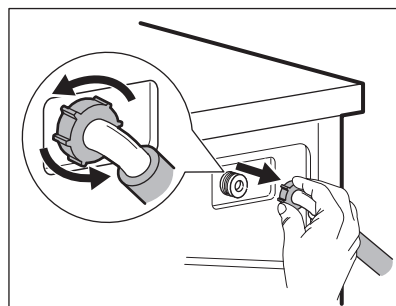
11.10 Reinigung des Filters im Zulaufschlauch und -ventil

Es wird empfohlen, den Filter des Zulaufschlauchs und Ventils gelegentlich zu reinigen, um Ablagerungen zu entfernen, die sich mit der Zeit ansammeln: Gehen Sie wie in den folgenden Diagrammen beschrieben vor, um die Filter zu reinigen:

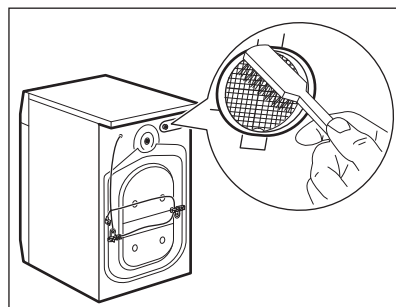
1. Schrauben Sie den Zulaufschlauch vom Wasserhahn ab und reinigen Sie das Sieb.



2. Lockern Sie die Ringmutter, um den Zulaufschlauch vom Gerät zu entfernen.

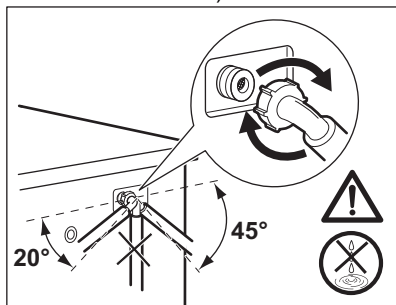


3. Reinigen Sie das Ventilsieb an der Geräterückseite mit einer Zahnbürste.



4. Wenn Sie den Schlauch wieder an der Geräterückseite anbringen, drehen Sie ihn je nach Position des Wasserhahns

nach rechts oder links (nicht in die vertikale Position).



11.11 Notentleerung

Kann das Gerät das Wasser nicht abpumpen, führen Sie den unter „Reinigen der Ablaufpumpe“ beschriebenen Vorgang aus. Reinigen Sie bei Bedarf die Pumpe.

11.12 Frostschutzmaßnahmen

Falls das Gerät in einem Bereich installiert ist, in dem die Temperatur um 0 °C erreichen

oder unter 0 °C sinken kann, entfernen Sie das im Zulaufschlauch und in der Ablaufpumpe verbliebene Wasser.

1. Ziehen Sie den Netzstecker aus der Netzsteckdose.
2. Schließen Sie den Wasserhahn.
3. Stecken Sie die beiden Enden des Zulaufschlauchs in einen Behälter und lassen Sie das Wasser aus dem Schlauch fließen.
4. Leeren Sie die Ablaufpumpe. Siehe Notentleerungsverfahren.
5. Befestigen Sie den Zulaufschlauch wieder, wenn die Ablaufpumpe entleert ist.

WARNING!

Stellen Sie sicher, dass die Temperatur über 0 °C liegt, bevor Sie das Gerät wieder einschalten.

Der Hersteller ist nicht für Schäden verantwortlich, die auf zu niedrige Temperaturen zurückzuführen sind.

12. VERBRAUCHSWERTE

12.1 Anmerkung



Der QR-Code auf der Energieplakette des Geräts bietet einen Web-Link zu Informationen über die Geräteleistung in der EU EPREL-Datenbank. Bewahren Sie daher die Energieplakette als Referenz zusammen mit dieser Bedienungsanleitung und allen anderen Unterlagen, die mit dem Gerät geliefert wurden, auf.

Es ist auch möglich, die gleichen Informationen in EPREL zu finden, indem Sie den Link <https://eprel.ec.europa.eu> sowie den Modellnamen und die Produktnummer, die Sie auf dem Typenschild des Geräts finden, verwenden.

Werte und Programmdauer können je nach unterschiedlichen Bedingungen (z. B. Raumtemperatur, Wassertemperatur und -druck, Beladungsgröße und Art der Wäsche, Versorgungsspannung) und auch bei Änderung der Standardeinstellung eines Programms abweichen.

Gemäß Verordnung der Kommission EU 2019/2023

Eco 40-60 Programm	kg	kWh	Liter	hh:mm	% 1)	°C	U/Min.2)
Volle Beladung	9	0.760	64	3:40	53	33	1351
Halbe Beladung	4,5	0.440	47	2:45	53	27	1351

Eco 40-60 Programm	kg	kWh	Liter	hh:mm	% 1)	°C	U/Min.2)
Viertelbeladung	2,5	0.300	39	2:35	54	26	1351

1) Restfeuchte am Ende der Schleuderphase. Je höher die Schleuderdrehzahl, desto lauter das Gerät und desto geringer die Restfeuchtigkeit.

2) Maximale Schleuderdrehzahl.

Allgemeine Programme



Diese Werte sind Richtwerte.

Programm	kg	kWh	Liter	hh:mm	% 1)	°C	U/min.2)
Katoen - Coton 3) 95 °C	9	2.75	85	4:00	52	85	1400
Katoen - Coton 60 °C	9	1.65	80	3:30	52	55	1400
Katoen - Coton 4) 20 °C	9	0.35	80	3:00	52	20	1400
Synthetica - Synthéti- ques 40 °C	4	0.85	75	2:30	35	40	1200
Fijne was - Délicats 5) 30 °C	2	0.35	60	1:25	35	30	1200
Wol/Zijde - Laine/Soie 30 °C	1,5	0.30	70	1:05	30	30	1200

1) Restfeuchte am Ende der Schleuderphase. Je höher die Schleuderdrehzahl, desto lauter das Gerät und desto geringer die Restfeuchtigkeit.

2) Referenz für die Schleuderdrehzahl.

3) Geeignet zum Waschen stark verschmutzter Textilien.

4) Geeignet für leicht verschmutzte Koch-/Buntwäsche, pflegeleichte Wäsche und Mischgewebe.

5) Funktioniert auch als Schnellwaschgang für leicht verschmutzte Wäsche.

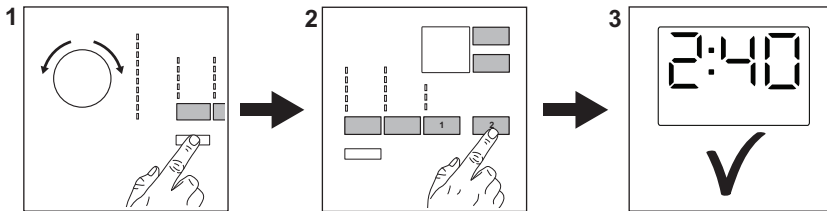
Energieverbrauch in verschiedenen Betriebsarten

Aus (W)	Bereitschaftsbetrieb (W)	Zeitvorwahl (W)
0.50	0.50	4.00

Die Zeit bis zum Ausschalten/Bereitschaftsbetrieb beträgt maximal 15 Minuten.

13. SCHNELLEINSTIEG

13.1 Täglicher Gebrauch



Stecken Sie den Netzstecker in die Netzsteckdose.

Öffnen Sie den Wasserhahn.

Füllen Sie die Wäsche ein.

Füllen Sie Wasch- und andere Pflegemittel in die entsprechenden Fächer der Waschmittelschublade.

1. Betätigen Sie die **Aan /Uit - Marche/ Arrêt** Taste zum Einschalten des Geräts. Drehen Sie den Programmwahlschalter auf das gewünschte Programm.
2. Stellen Sie die gewünschten Optionen (1) mit den entsprechenden Sensortasten ein. Berühren Sie die Taste **Start/Pause - Départ/Pause** (2), um das Programm zu starten.
3. Das Gerät startet.
Nehmen Sie am Programmende die Wäsche aus dem Gerät.

Drücken Sie zum Ausschalten des Geräts die Taste **Aan /Uit - Marche/Arrêt**.

13.2 Reinigung und Pflege

Ein regelmäßiger Reinigungsplan hilft, die Lebensdauer Ihres Geräts zu verlängern.

Lassen Sie nach jedem Waschgang Tür und Waschmittelschublade etwas geöffnet, damit die Luft zirkulieren und die Feuchtigkeit im Gerät trocknen kann. So werden Schimmel und Gerüche vermieden.

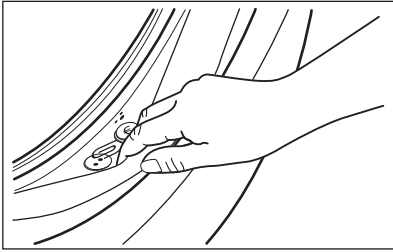
Wenn das Gerät längere Zeit nicht benutzt wird: Schließen Sie den Wasserhahn und ziehen Sie den Netzstecker heraus.

Entkalken	Zweimal im Jahr
Wartungsdurchlauf	Einmal im Monat
Türdichtung reinigen	Alle zwei Monate
Trommel reinigen	Alle zwei Monate
Waschmittelschublade reinigen	Alle zwei Monate
Ablaufpumpenfilter reinigen	Zweimal im Jahr
Filter des Zulaufschlauchs und des Ventils reinigen	Zweimal im Jahr

In den folgenden Abschnitten wird erläutert, wie Sie einzelne Teile reinigen sollten.

Türmanschette mit Doppellippe

Dieses Gerät ist mit einem **selbstreinigenden Ablaufsystem** ausgestattet, das es ermöglicht, leichte Flusen, die sich von der Kleidung lösen, mit dem Wasser abzulassen. Prüfen Sie regelmäßig die Dichtung und reinigen Sie sie gegebenenfalls wie in der folgenden Abbildung beschrieben. Münzen, Knöpfe und andere kleine Gegenstände können am Programmende herausgenommen werden.



Reinigen Sie sie nach Bedarf mit einer ammoniakhaltigen Reinigungscreme ohne die Oberfläche der Dichtung zu verkratzen.



Halten Sie sich immer an die Anweisungen auf der Verpackung des Produkts. Prüfen und entfernen Sie Objekte (falls vorhanden), die in der Falte eingeschlossen werden könnten. Stellen Sie sicher, dass keine Wäsche zwischen der Dichtung und der Tür verbleibt. Nach Abschluss des Programmzyklus mit einem feuchten Tuch alle Schmutz- oder Wasserrückstände abwischen, die in der Türdichtung zurückbleiben.

Entfernen von Fremdkörpern

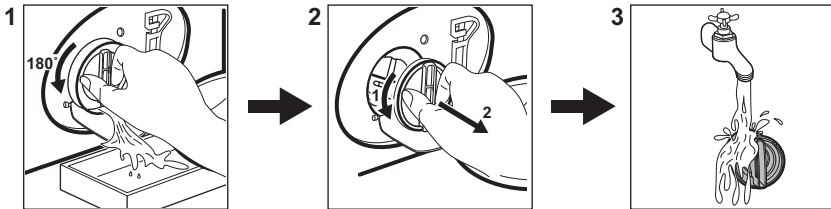


Vergewissern Sie sich, dass alle Taschen in der Kleidung leer und alle losen Elemente festgebunden sind, bevor Sie Ihren Zyklus starten.

Entfernen Sie alle Fremdkörper (wie z. B. Klammern, Knöpfe, Münzen usw.), die sich in der Türdichtung, den Filtern und der Trommel befinden können. Falls erforderlich, wenden Sie sich bitte an das autorisierte Servicezentrum.



Reinigen des Ablaufpumpenfilters

Reinigen Sie den Filter regelmäßig und insbesondere, wenn der Alarmcode **E20** im Display angezeigt wird.



13.3 Programme

Programme	Beladung	Gerätebeschreibung
Eco 40-60 ¹⁾	9 kg	Weißer und bunter Baumwolle. Normal verschmutzte Kleidungsstücke.
Katoen - Coton	9 kg	Weißer und bunter Baumwollwäsche.
Synthetica - Synthétiques	4 kg	Pflegeleichte Wäsche oder Mischgewebe.
Fijne was - Délicats	2 kg	Feinwäsche wie etwa aus Acryl, Viskose, Polyester.

Programme	Beladung	Gerätebeschreibung
Wol/Zijde - Laine/Soie 	1,5 kg	Waschmaschinenfeste Wolle, handwaschbare Wolle und Feinwäsche.
20 min. - 3 kg	3,5 kg	Kleidungsstücke aus Baumwolle und pflegeleichte Wäsche, leicht verschmutzt oder nur einmal getragen.
Katoen - Coton 20°	9 kg	Mischgewebe. Baumwolle und pflegeleichte Wäschestücke.
Dekbed - Duvet	3 kg	Synthetisch oder mit Feder und Daunen gefüllte Decken, wattierte Kleidung, Bettdecken.
Anti-allergie 	9 kg	Weißes Baumwollwäsche. Dieses Programm entfernt mehr als 99,99 % der Bakterien und Viren ²⁾ . Es sorgt auch für eine gründliche Reduzierung von Allergenen.
Centrifugieren/Pompen - Essorage/Vidange	9 kg	Alle Gewebearten außer Wollwäsche und empfindliche Feinwäsche. Programm zum Schleudern und Abpumpen des Wassers.

Die Beladung des Geräts mit der für die einzelnen Programme angegebenen maximalen Ladekapazität hilft, Energie und Wasser zu sparen.


1) Gemäß der Kommissionsverordnung EU 2019/2023 kann dieses Programm bei 40 °C normal verschmutzte Baumwollwäsche, die als waschbar bei 40 °C oder 60 °C gekennzeichnet ist, zusammen im selben Waschgang waschen.




Die erreichte Temperatur in der Wäsche, die Programmdauer und andere Daten finden Sie im Kapitel „Verbrauchswerte“. Die effizientesten Programme in Bezug auf den Energieverbrauch sind im Allgemeinen diejenigen, die bei niedrigeren Temperaturen und längerer Dauer arbeiten.

2) Getestet auf Staphylokokkus aureus, Enterokokkus faecium, Candida albicans, Pseudomonas aeruginosa und MS2 Bakteriophage im externen Test, der 2021 von der Swissatest Testmaterialien AG durchgeführt wurde (Testbericht Nr. 202120117).

Geeignete Waschmittel für Waschprogramme

Programm	Universalpulverwaschmittel ¹⁾	Universalfüssigwaschmittel	Flüssigwaschmittel für Buntwäsche	Empfindliche Wollwäsche	Speziell
Eco 40-60	▲	▲	▲	--	--
Katoen - Coton	▲	▲	▲	--	--
Synthetica - Synthétiques	▲	▲	▲	--	--
Fijne was - Délicats	--	--	--	▲	▲
Wol/Zijde - Laine/Soie 	--	--	--	▲	▲
20 min. - 3 kg	--	▲	▲	--	--

Programm	Universalpulverwaschmittel ¹⁾	Universalf-lüssigwaschmittel	Flüssigwaschmittel für Buntwäsche	Empfindliche Wollwäsche	Speziell
Katoen - Coton 20°	▲	▲	▲	--	--
Dekbed - Duvet	--	--	--	▲	▲
Anti-allergie 	▲	▲	▲	--	--

1) Bei Temperaturen über 60 °C wird die Verwendung von Pulverwaschmitteln empfohlen.

-- = Nicht empfohlen ▲ = Empfohlen

13.4 Waschmittelart und -menge

- Verwenden Sie nur speziell für Waschmaschinen bestimmte Wasch- und Pflegemittel. Befolgen Sie zunächst diese allgemeinen Regeln:
 - Pulverwaschmittel (auch Tabs und Einzeldosierwaschmittel) für alle Gewebearten, ausgenommen Feinwäsche. Verwenden Sie Pulverwaschmittel mit Bleiche für Kochwäsche und zur Desinfektion der Wäsche,
 - Flüssigwaschmittel (auch Waschmittel mit Einzeldosierung) vorzugsweise für Programme mit niedrigen Temperaturen (max. 60°C) für alle Textilien, oder spezielle nur für Wolle.
- Mischen Sie nicht verschiedene Waschmittelarten.
- Verwenden Sie weniger Waschmittel, wenn:

- Sie nur eine kleine Wäschemenge waschen,
- die Wäsche leicht verschmutzt ist,
- beim Waschen große Mengen Schaum entstehen.
- Bei der Verwendung von Waschmitteltabs oder -kapseln geben Sie diese immer in die Trommel, nicht in den Waschmittelbehälter, und befolgen Sie die Empfehlungen des Herstellers.

Zu wenig Waschmittel kann Folgendes verursachen:

- Unbefriedigende Waschergebnisse,
- Grauschleierbildung der Wäsche,
- fettige Kleidung,
- Schimmelbildung im Gerät.

Zu viel Waschmittel kann Folgendes verursachen:

- Schaumbildung,
- reduzierte Waschwirkung,
- ungenügendes Spülen,
- höhere Belastung der Umwelt.

14. ALARMCODES UND MÖGLICHE FEHLER

Das Gerät startet nicht oder stoppt während des Betriebs. Versuchen Sie zunächst selbst, eine Lösung für das Problem zu finden (siehe Tabellen).

WARNUNG!

Schalten Sie das Gerät vor der Überprüfung aus.

Störung	Mögliche Lösung
---------	-----------------

E10

Der Wassereinfluss in das Gerät funktioniert nicht ordnungsgemäß.

- Vergewissern Sie sich, dass der Wasserhahn offen ist.
- Stellen Sie sicher, dass der Druck der Wasserversorgung nicht zu niedrig ist. Diese Informationen erhalten Sie bei Ihrer örtlichen Wasserbehörde.
- Stellen Sie sicher, dass der Wasserhahn nicht verstopft ist.
- Vergewissern Sie sich, dass der Zulaufschlauch nicht geknickt, beschädigt oder gebogen ist.
- Vergewissern Sie sich, dass der Wasserzulaufschlauch richtig angeschlossen ist.
- Vergewissern Sie sich, dass der Filter des Zulaufschlauchs und der Filter des Ventils nicht verstopft sind.

E20

Das Gerät pumpt das Wasser nicht ab.

- Stellen Sie sicher, dass der Waschbeckenablauf nicht verstopft ist.
- Vergewissern Sie sich, dass der Ablaufschlauch nicht geknickt oder gebogen ist.
- Vergewissern Sie sich, dass der Ablauffilter nicht verstopft ist. Reinigen Sie ggf. den Filter.
- Vergewissern Sie sich, dass der Ablaufschlauch richtig angeschlossen ist.
- Stellen Sie beim Einstellen eines Programms ohne Abpumpphase das Abpumpprogramm ein.
- Stellen Sie bei der Einstellung einer Programmwahl, die mit Wasser in der Trommel endet, das Abpumpprogramm ein.

E40

Die Gerätetür steht offen oder ist nicht richtig geschlossen.

- Vergewissern Sie sich, dass die Tür richtig geschlossen ist.

E91

Interner Fehler. Keine Kommunikation zwischen den elektronischen Bauteilen des Geräts.

- Das Programm wurde nicht ordnungsgemäß beendet oder der Betrieb des Geräts wurde zu früh unterbrochen. Schalten Sie das Gerät aus und wieder ein.
- Erscheint der Fehlercode erneut, wenden Sie sich an das autorisierte Servicezentrum.

EHO

Die Netzspannungsversorgung schwankt.

- Warten Sie, bis die Netzspannungsversorgung wieder stabil ist.

EFO

Das Aqua-Control-System ist eingeschaltet.

- Schalten Sie das Gerät aus und drehen Sie den Wasserhahn zu. Wenden Sie sich an das autorisierte Servicezentrum.

Wenn das Problem weiterhin besteht, wenden Sie sich an das autorisierte Servicezentrum. Die vom Servicezentrum benötigten Daten finden Sie auf dem Typenschild

*Einige Alarmcodes treten möglicherweise nicht auf. Änderungen vorbehalten.

15. INFORMATIONEN ZUR ENTSORGUNG

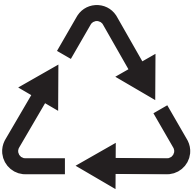
Ihre Pflichten als Endnutzer



Dieses Elektro- bzw. Elektronikgerät ist mit einer durchgestrichenen Abfalltonne auf Rädern gekennzeichnet. Das Gerät darf deshalb nur getrennt vom unsortierten Siedlungsabfall gesammelt und zurückgenommen werden, es darf also nicht in den Hausmüll gegeben werden. Das Gerät kann z. B. bei einer kommunalen Sammelstelle oder ggf. bei einem Vertreiber (siehe zu deren Rücknahmepflichten unten) abgegeben werden. Das gilt auch für alle Bauteile, Unterbaugruppen und Verbrauchsmaterialien des zu entsorgenden Altgeräts.

Bevor das Altgerät entsorgt werden darf, müssen alle Altbatterien und Akkumulatoren vom Altgerät getrennt werden, die nicht vom Altgerät umschlossen sind. Das gleiche gilt für Lampen, die zerstörungsfrei aus dem Altgerät entnommen werden können. Der Endnutzer ist zudem selbst dafür verantwortlich, personenbezogene Daten auf dem Altgerät zu löschen.

Hinweise zum Recycling



Helfen Sie mit, alle Materialien zu recyceln, die mit diesem Symbol gekennzeichnet sind. Entsorgen Sie solche Materialien, insbesondere Verpackungen, nicht im Hausmüll sondern über die bereitgestellten Recyclingbehälter oder die entsprechenden örtlichen Sammelsysteme.

Recyceln Sie zum Umwelt- und Gesundheitsschutz auch elektrische und elektronische Geräte.

Rücknahmepflichten der Verreiber in Deutschland

Wer auf mindestens 400 m² Verkaufsfläche Elektro- und Elektronikgeräte vertreibt oder sonst geschäftlich an Endnutzer abgibt, ist verpflichtet, bei Abgabe eines neuen Geräts ein Altgerät des Endnutzers der gleichen Geräteart, das im Wesentlichen die gleichen Funktionen wie das neue Gerät erfüllt, am Ort der Abgabe oder in unmittelbarer Nähe hierzu unentgeltlich zurückzunehmen. Das gilt auch für Verreiber von Lebensmitteln mit einer Gesamtverkaufsfläche von mindestens 800 m², die mehrmals im Kalenderjahr oder dauerhaft Elektro- und Elektronikgeräte anbieten und auf dem Markt bereitstellen. Solche Verreiber müssen zudem auf Verlangen des Endnutzers Altgeräte, die in keiner äußeren Abmessung größer als 25 cm sind (kleine Elektrogeräte), im Einzelhandelsgeschäft oder in unmittelbarer Nähe hierzu unentgeltlich zurückzunehmen; die Rücknahme darf in diesem Fall nicht an den Kauf eines Elektro- oder Elektronikgerätes geknüpft, kann aber auf drei Altgeräte pro Geräteart beschränkt werden.

Ort der Abgabe ist auch der private Haushalt, wenn das neue Elektro- oder Elektronikgerät dorthin geliefert wird; in diesem Fall ist die Abholung des Altgerätes für den Endnutzer kostenlos.

Die vorstehenden Pflichten gelten auch für den Vertrieb unter Verwendung von Fernkommunikationsmitteln, wenn die Verreiber Lager- und Versandflächen für Elektro- und Elektronikgeräte bzw. Gesamtlager- und -versandflächen für Lebensmittel vorhalten, die den oben genannten Verkaufsflächen entsprechen. Die unentgeltliche Abholung von Elektro- und Elektronikgeräten ist dann aber auf Wärmeüberträger (z. B. Kühlschrank), Bildschirme, Monitore und Geräte, die Bildschirme mit einer Oberfläche von mehr als 100 cm² enthalten, und Geräte beschränkt, bei denen mindestens eine der äußeren Abmessungen mehr als 50 cm beträgt. Für alle übrigen Elektro- und Elektronikgeräte muss der Verreiber geeignete Rückgabemöglichkeiten in zumutbarer Entfernung zum jeweiligen

Endnutzer gewährleisten; das gilt auch für kleine Elektrogeräte (s.o.), die der Endnutzer zurückgeben will, ohne ein neues Gerät zu kaufen.

Rücknahmepflichten von Vertreibern und andere Möglichkeiten der Entsorgung von Elektro- und Elektronikgeräten in der Region Wallonien

Vertreiber, die Elektro- und Elektronikgeräte verkaufen, sind verpflichtet, bei der Lieferung von Neugeräten Altgeräte desselben Typs, die im Wesentlichen die gleichen Funktionen wie die Neugeräte erfüllen, kostenlos vom Endverbraucher zurückzunehmen. Dies gilt auch bei der Lieferung von neuen Elektro- und Elektronikgeräten oder beim Fernabsatz.

Darüber hinaus ist jeder, der Elektro- und Elektronikgeräte auf einer Verkaufsfläche von mindestens 400 m² verkauft, verpflichtet, Altgeräte, die in keiner äußeren Abmessung größer als 25 cm sind (Elektrokleingeräte), im Ladengeschäft oder in unmittelbarer Nähe kostenlos zurückzunehmen; die Rücknahme darf in diesem Fall nicht vom Kauf eines Elektro- oder Elektronikgerätes abhängig gemacht werden.

Die Rücknahme von Elektro- und Elektronikgeräten kann auch auf Containerplätzen oder zugelassenen Recyclinghöfen erfolgen. Für weitere Informationen wenden Sie sich bitte an Ihre Gemeindeverwaltung.

aeg.com

135989912-A-312025



CE